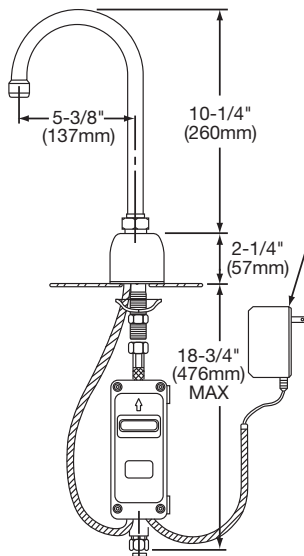
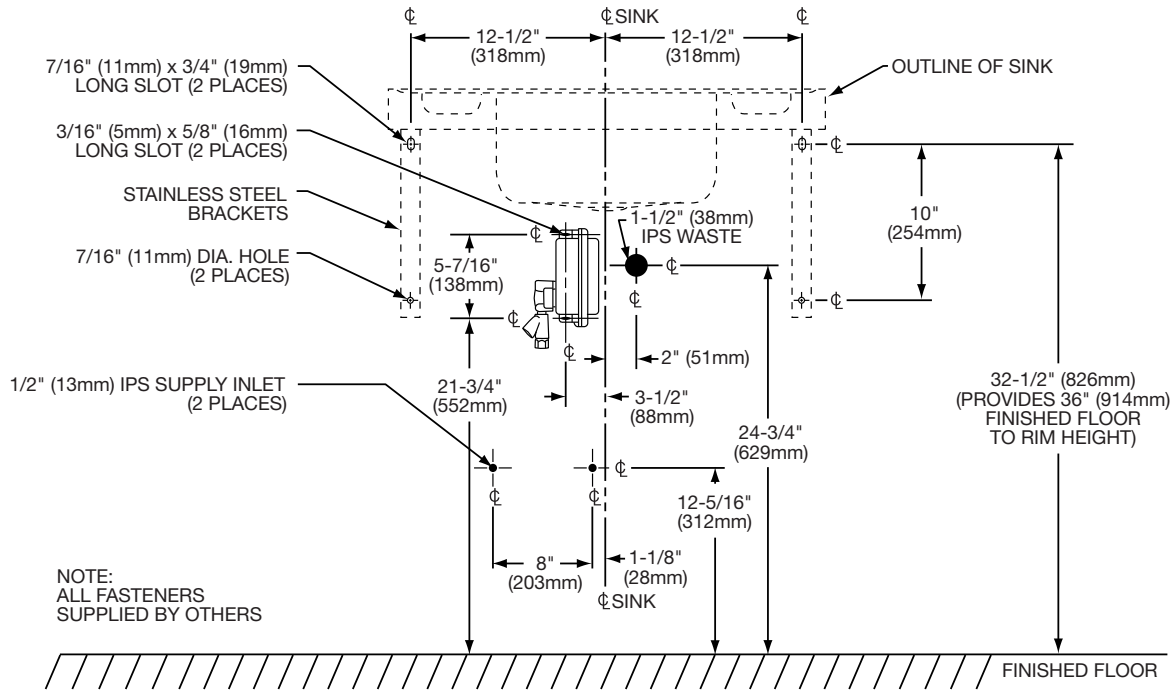




**Surgeon's Lavatory With Instrument Trays  
Wall Mounted With Sensor Faucet  
AC Powered, Models ESLV2820SACC,  
ESLV2820SACMC and ESLV2820SACTMC**

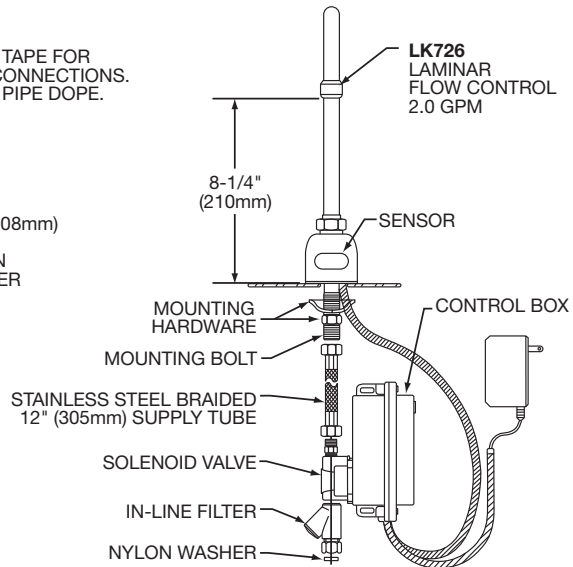
**ELKAY®**

**ROUGH-IN DIMENSIONS**

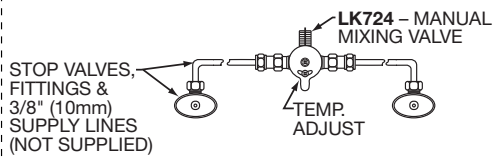


NOTE:  
USE TEFLON TAPE FOR  
ALL WATER CONNECTIONS.  
DO NOT USE PIPE DOPE.

**LK728**  
12V PLUG-IN DC  
ADAPTER W/20' (508mm)  
SHIELDED LINE  
OUTLET LOCATION  
BY OTHERS (POWER  
SUPPLY MUST BE  
INSTALLED PER  
LOCAL CODES)



**FOR ESLV2820SACMC**



**FOR ESLV2820SACTMC**

