

**Surgeon's Lavatory With Instrument Trays,  
Wall Mounted, Double Pedal Control  
Models ESLV2820FC and ESLV2820**

**ELKAY®**

**SPECIFICATIONS**

**GENERAL**

#16 gauge, type 304 (18-8), stainless steel surgeon's lavatory with integral instrument trays. Lavatory compartment has 1-3/4" (44mm) radius vertical and horizontal covered corners. Exposed surfaces are hand blended to a uniform lustrous satin finish. Underside is sound deadened. Furnished with stainless steel support brackets. Mount unit 1-1/2" (38mm) from wall.

(CHECK MODEL SPECIFIED)

ESLV2820FC

**FURNISHED COMPLETE WITH:**

**SUPPLY: LK398C.** Wall hung, chrome plated double pedal valve with mounting package.

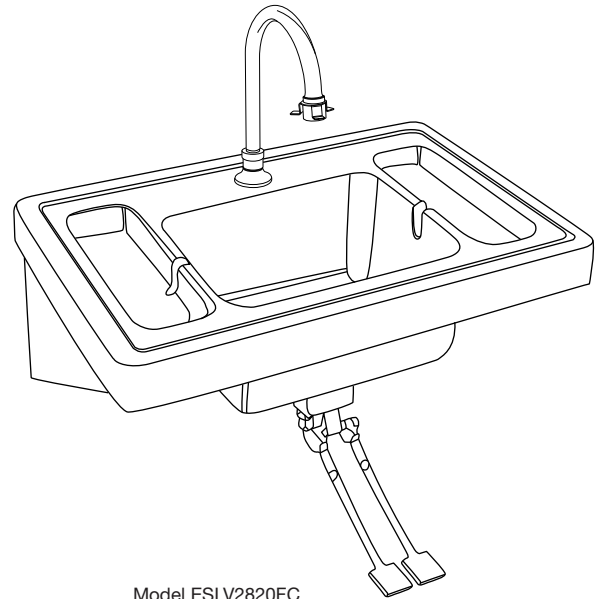
**SPOUT: LK396A.** Chrome plated 10-3/4" (273mm) high gooseneck spout, AE19A vandal resistant, anti-hose aerator. (Intermediate piping not included.)

**DRAIN: LK9.** Chrome plated perforated strainer grid. 1-1/4" (32mm) x 4" (102mm) O.D. tailpiece.

**FOLLOWING MODEL DOES NOT INCLUDE FAUCETS AND FITTINGS:**

ESLV2820

SPECIFY FAUCET DRILLINGS AND LOCATION.



Model ESLV2820FC

SEE OTHER SIDE FOR PRODUCT DIMENSIONS.

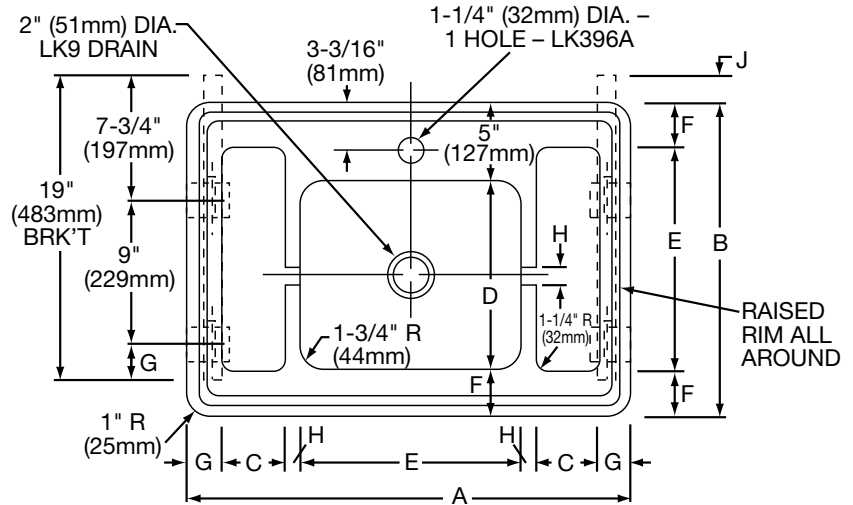
*In keeping with our policy of continuing product improvement, Elkay reserves the right to change product specifications without notice.*

*This specification describes an Elkay product with design, quality and functional benefits to the user. When making a comparison of other producers' offerings, be certain these features are not overlooked.*

**ROUGH-IN DIMENSIONS**

**DIMENSIONS**

Model Number ESLV2820					
DIMS.	in.	(mm)	DIMS.	in.	(mm)
A	28	711	F	3	76
B	20	508	G	2 1/4	57
C	3 3/4	95	H	1	25
D	12	305	I	6	152
E	14	356	J	1 1/2	38



MOUNTING PACKAGE/FOOT PEDAL					
DIMS.	in.	(mm)	DIMS.	in.	(mm)
(a)	2 1/2	64	(d)	4 15/16	125
(b)	1 17/8	302	(e)	1 1/2	38
(c)	8 3/4	222			

