

**Service Sink, Wall Mounted, With Drainboard  
Mixing Faucet With Wrist Blade Handles  
Models ESS4924RW4C, ESS4924RW6C  
and ESS4924R**



**SPECIFICATIONS**

**GENERAL**

#14 gauge, type 304 (18-8), stainless steel service sink with right hand 30" (762mm) drainboard. 1/4" (6mm) radius vertical and horizontal coved corners. 1-1/2" (38mm) rolled rim. Full length 8" (203mm) high backsplash with 45° sloped top. Exposed surfaces are hand blended to a uniform lustrous satin finish. Furnished with wall hanger and stainless steel support brackets. Carries NSF International Certification.

(CHECK MODEL SPECIFIED)

- ESS4924RW4C (4" [102mm] Wrist Blade Handles)
- ESS4924RW6C (6" [152mm] Wrist Blade Handles)

**FURNISHED COMPLETE WITH:**

**SUPPLY: LK393A.** Chrome plated mixing faucet with BH4A 4" (102mm) wrist blade handles, swing 10-1/4" (260mm) high gooseneck spout, AE19A vandal-resistant, anti-hose aerator.

- OR -

**LK393ABH6.** Chrome plated mixing faucet with BH6A 6" (152mm) wrist blade handles, swing 10-1/4" (260mm) high gooseneck spout, AE19A vandal-resistant, anti-hose aerator.

**DRAIN: LK18B.** Stainless steel perforated strainer grid. 1-1/2" (38mm) O.D. x 4" (102mm) stainless steel tailpiece.

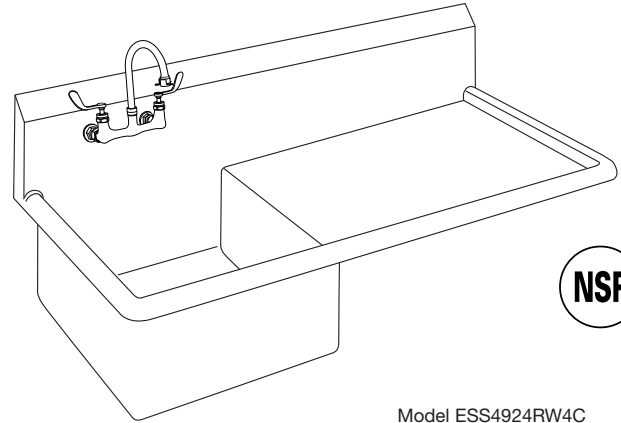
**FOLLOWING MODEL DOES NOT INCLUDE FAUCET AND DRAIN:**

- ESS4924R

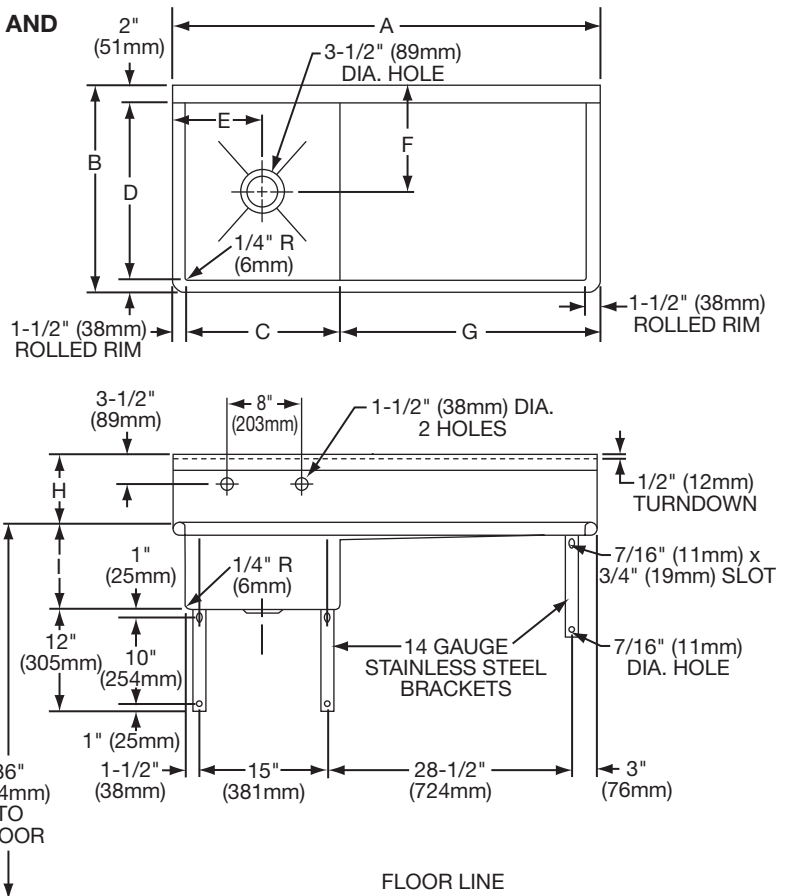
SPECIFY FAUCET DRILLINGS AND LOCATION.

**DIMENSIONS**

Model Number ESS4924R					
DIMS.	in.	mm	DIMS.	in.	mm
A	49 1/2	1257	F	12 1/4	311
B	24	610	G	30	762
C	18	457	H	8	203
D	20 1/2	521	I	10	254
E	10 1/2	267			



Model ESS4924RW4C



In keeping with our policy of continuing product improvement, Elkay reserves the right to change product specifications without notice.

This specification describes an Elkay product with design, quality and functional benefits to the user. When making a comparison of other producers' offerings, be certain these features are not overlooked.