

**Service Sink, Wall Mounted
With Drainboard and Sensor Faucet
AC Powered, Models ESS4924RSACC,
ESS4924RSACMC and ESS4924RSACTMC**



SPECIFICATIONS

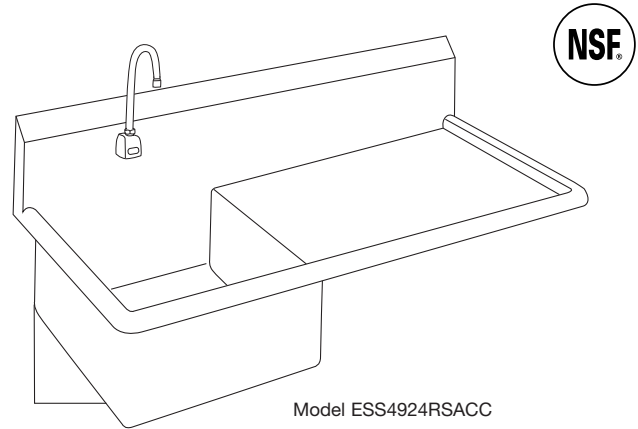
GENERAL

ESS4924R #14 gauge, type 304 (18-8) stainless steel service sink with right hand 30" (762mm) drainboard. 1/4" (6mm) radius vertical and horizontal coved corners. 1-1/2" (38mm) rolled rim. Full length backsplash with 45° sloped top. Exposed surfaces are hand blended to a uniform satin luster finish. Furnished with wall hanger and stainless steel support brackets. Carries NSF International Certification.

(CHECK MODEL SPECIFIED)

MODEL	FAUCET	DRAIN	MIXING VALVE
<input type="checkbox"/> ESS4924RSACC	LK722AC	LK18B	NONE
<input type="checkbox"/> ESS4924RSACMC	LK722AC	LK18B	LK724
<input type="checkbox"/> ESS4924RSACTMC	LK722AC	LK18B	LK723

LK722AC Sensor-operated, non-mixing (tempered water), backsplash-mounted gooseneck faucet with adjustable sensor eyes. A continuous beam is emitted from sensor. The sensor faucet is activated by user placing hands under the spout. Tempered water will flow as long as hands remain within sensor range. When hands are removed, the water stops automatically based on shut off delay settings. The sensor then resets and is ready for the next user. AC powered, chrome plated - solid brass body construction and 12-3/4" (324mm) high (bottom of base to top of spout), 8-3/4" (222mm) from aerator to base, 5-3/8" (137mm) reach C.P. spout with 2.0 gpm laminar flow control on spout end. Includes vandal-resistant, water-resistant sensor control module with armored vandal-resistant control and power cables. 12V DC plug-in voltage adapter, slow-closing piston operated solenoid valve, in-line filter with clean out trap, and 3/8" (10mm) copper fittings for supply tube furnished by contractor. Control circuit is solid state, has adjustable sensor range (6" [152mm] preset to 30" [762mm]),



Model ESS4924RSACC

shut off delay preset at 1 second and field adjustable to 2, 4 or 8 seconds, and automatic time-out feature (to prevent sink overflow) is preset at 0 seconds and is field adjustable to 15, 30 or 60 seconds.

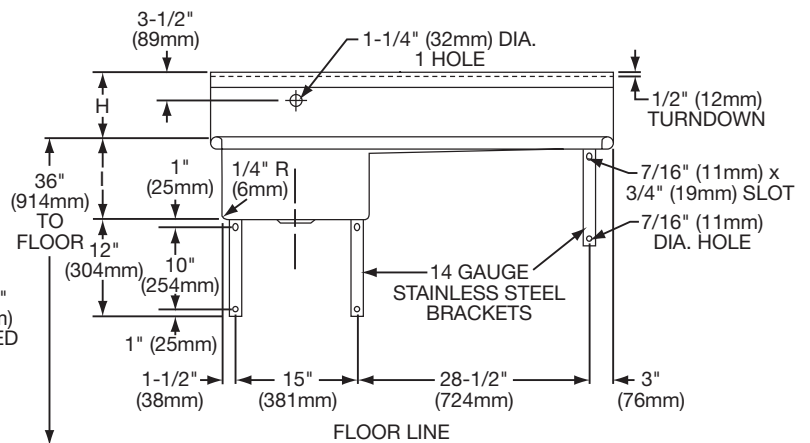
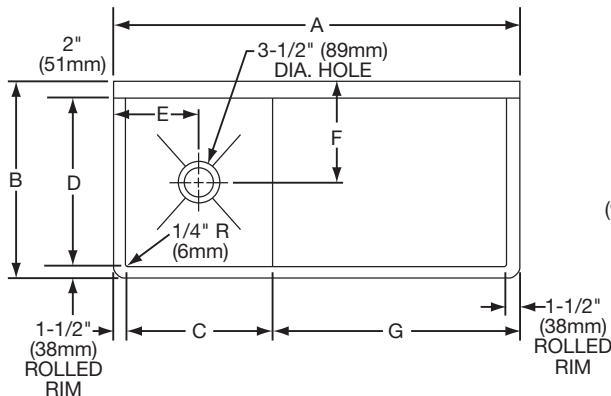
LK18B Stainless steel perforated grid strainer with 1-1/2" (38mm) O.D. stainless steel tailpiece.

LK723 Anti-scald thermostatic mixing valve with nickel-plated brass body 1/2" (13mm) SWT inlets and outlet connections, check valves on inlets and a mixed temperature range of 80°- 120°F. Certified under ASSE1016.

LK724 Mechanical mixing valve with C.P. brass body, 3/8" (10mm) compression inlets and outlet connections, and check valves on inlets.

DIMENSIONS

Model Number	A		B		C		D		E		F		G		H		I	
	in.	mm	in.	mm	in.	mm	in.	mm	in.	mm	in.	mm	in.	mm	in.	mm	in.	mm
ESS4924R	49 1/2	1257	24	610	18	457	20 1/2	521	10 1/2	267	12 1/4	311	30	762	8	203	10	254



In keeping with our policy of continuing product improvement, Elkay reserves the right to change product specifications without notice.

**Service Sink, Wall Mounted
With Drainboard and Sensor Faucet
AC Powered, Models ESS4924RSACC,
ESS4924RSACMC and ESS4924RSACTMC**



ROUGH-IN DIMENSIONS

