

**Service Sink, Wall Mounted, with Drainboard
Double Pedal Control
Models ESS4924RFC and ESS4924R**



SPECIFICATIONS

GENERAL

#14 gauge, type 304 (18-8), stainless steel service sink with right hand 30" (762mm) drainboard. 1/4" (6mm) radius vertical and horizontal coved corners. 1-1/2" (38mm) rolled rim. Full length 8" (203mm) high backsplash with 45° sloped top. Exposed surfaces are hand blended to a uniform lustrous satin finish. Furnished with wall hanger and stainless steel support brackets. Carries NSF International Certification.

(CHECK MODEL SPECIFIED)

ESS4924RFC

FURNISHED COMPLETE WITH:

SUPPLY: LK398C. Wall hung, chrome plated double pedal valve with mounting package.

SPOUT: LK395A. Chrome plated 8-1/4" (210mm) high goose-neck spout with AE19A vandal-resistant, anti-hose aerator. (Intermediate piping not included.)

DRAIN: LK18B. Stainless steel perforated strainer grid, drain fitting with 1-1/2" (38mm) O.D. x 4" (102mm) stainless steel tailpiece.

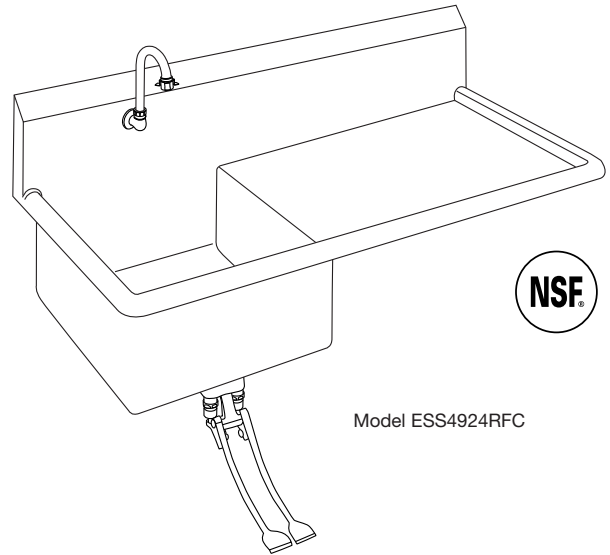
FOLLOWING MODEL DOES NOT INCLUDE FAUCET AND DRAIN:

ESS4924R

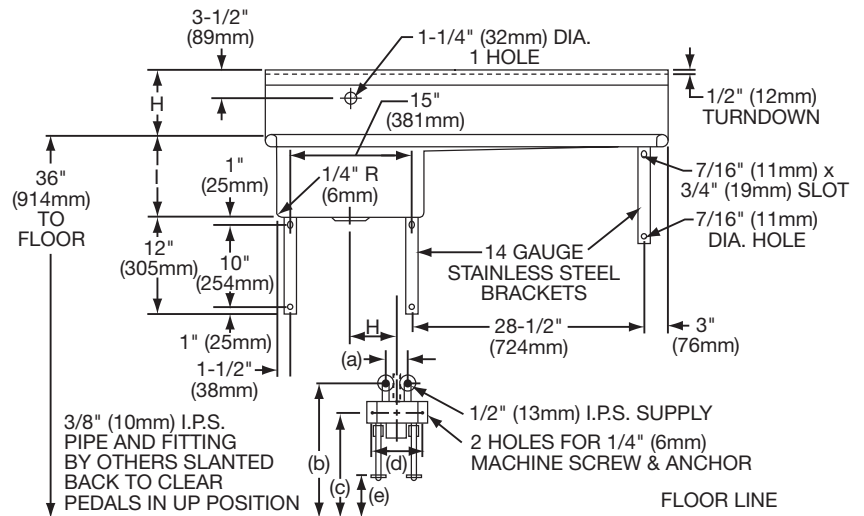
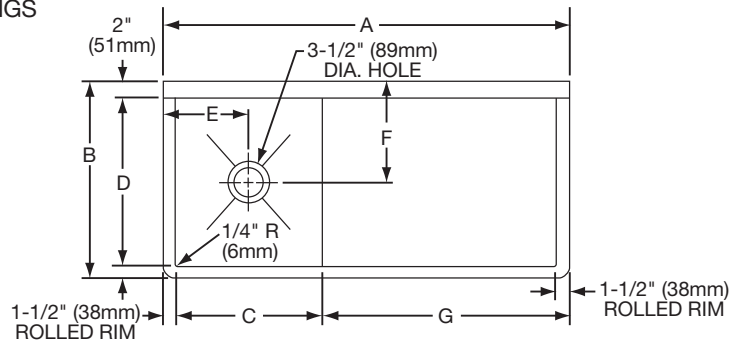
SEE OTHER SIDE FOR STANDARD FAUCET HOLE DRILLING CONFIGURATIONS OR SPECIFY SPECIAL FAUCET DRILLINGS AND LOCATION.

DIMENSIONS

Model Number ESS4924R					
DIMS.	in.	(mm)	DIMS.	in.	(mm)
A	49 1/2	1257	F	12 1/4	311
B	24	610	G	30	762
C	18	457	H	8	203
D	20 1/2	521	I	10	254
E	10 1/2	267			



Model ESS4924RFC



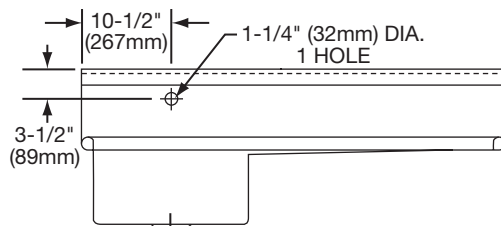
MOUNTING PACKAGE/FOOT PEDAL					
DIMS.	in.	mm	DIMS.	in.	mm
(a)	2 1/2	64	(d)	4 15/16	125
(b)	11 7/8	302	(e)	1 1/2	38
(c)	8 3/4	222			

In keeping with our policy of continuing product improvement, Elkay reserves the right to change product specifications without notice.

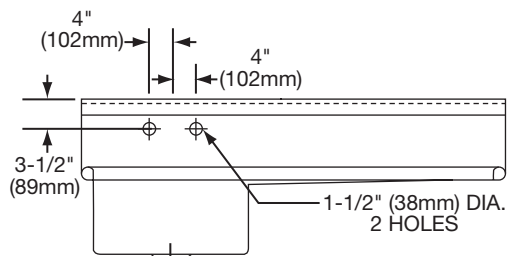
This specification describes an Elkay product with design, quality and functional benefits to the user. When making a comparison of other producers' offerings, be certain these features are not overlooked.

SPECIFICATIONS

HOLE DRILLING CONFIGURATIONS



Model ESS4924R1



Model ESS4924R2