

**Scrub-up Sink, Sensor-Operated,
Three Station, Wall Mounted
Models EWSF39026SACC and EWSF39026**



SPECIFICATIONS

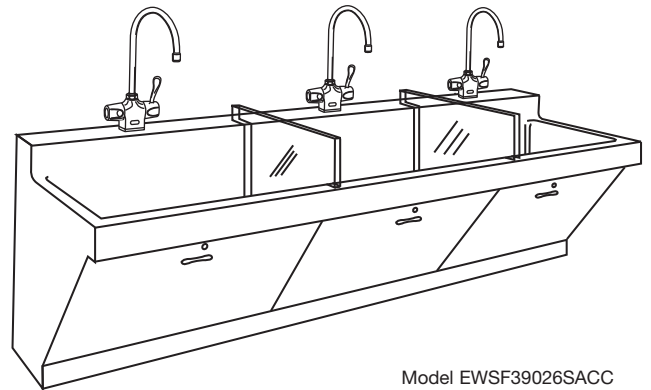
GENERAL

#16 gauge, type 304 (18-8), stainless steel triple station slant front scrub-up sink with sensor faucets, coved corners, keyed access doors, wall hanger, full length backsplash, full enclosure and two removable acrylic compartment partitions. Exposed surfaces are polished to a satin finish. Underside is sound deadened.

FURNISHE COMPLETE WITH:

SUPPLY: (3) **LK720AC** Sensor-operated, deck-mounted, gooseneck faucet with adjustable sensor eye, adjustable temperature control and manual override. AC powered, chrome plated – solid brass construction. 15-1/4" (387mm) high (bottom of base to top of spout) and 8" (203mm) reach spout with 2.0 GPM laminar flow control, 10-1/4" (260mm) from deck to spout outlet. Includes vandal-resistant, water-resistant sensor control module with armored vandal-resistant control and power cables. 12V DC plug-in voltage adapter, slow-closing piston operated solenoid valve, (2) in-line Y strainers with check valves, and (2) 3/8" (10mm) stainless steel braided 19" (483mm) supply line. Control circuit is solid state, has adjustable sensor range (6" [152mm] preset to 30" [762mm]), shut off delay preset at 1 second and field adjustable to 2, 4 or 8 seconds, and automatic time-out feature (to prevent sink overflow) is preset at 0 seconds and is field adjustable to 15, 30 or 60 seconds.

DRAIN: (3) **LK18B** Stainless steel perforated strainer grid, drain fitting with 1-1/2" (38 mm) O.D. x 4" (102mm) stainless steel tailpiece.



Model EWSF39026SACC

FOLLOWING MODEL DOES NOT INCLUDE SENSOR FAUCETS AND DRAINS:

- EWSF39026

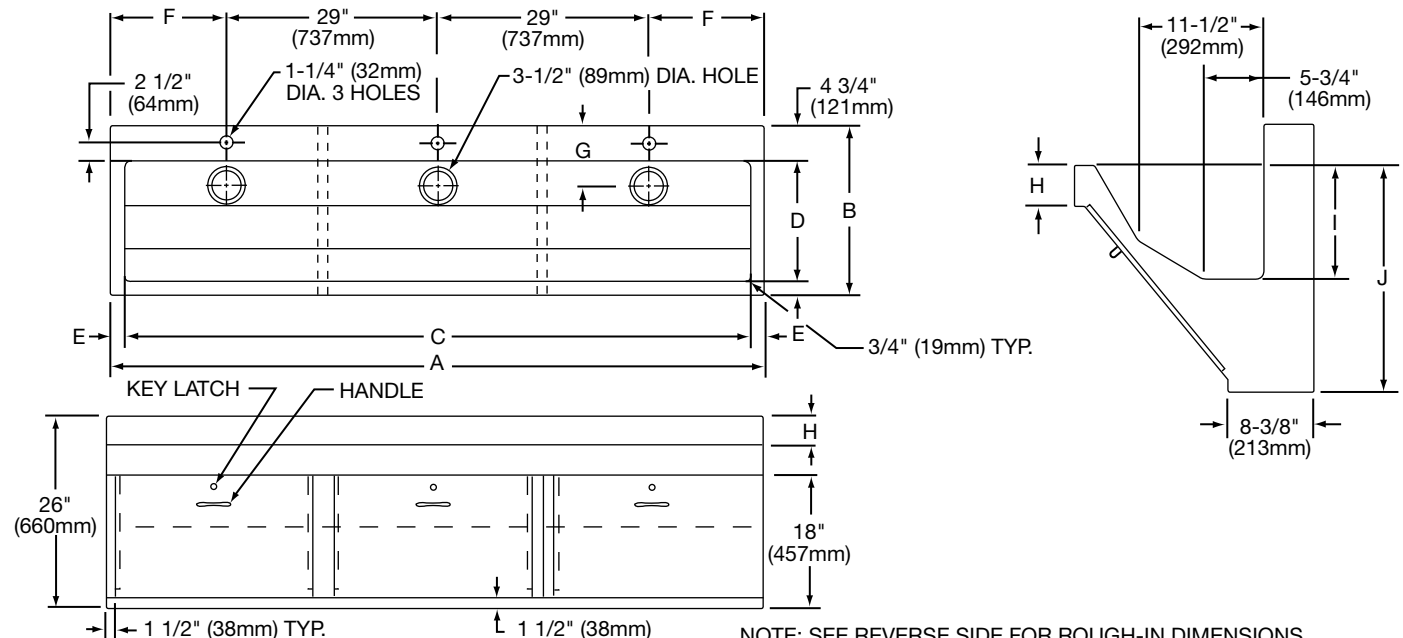
SPECIFY FAUCET DRILLINGS AND LOCATION.

OPTIONAL (Specify Separately):

- (3) **LK723** Anti-scald thermostatic mixing valve with nickel plated brass body, 1/2" (13mm) union SWT inlets and outlet connection. Comes with internal check valves on inlets and mixed temperature range of 80° – 120°F.
- (3) **LK729** Battery holder with (4) AA batteries for converting LK720AC to battery powered.
- (3) **LK731** Rose spray head, 2.5 GPM, female thread.

IMENSIONS

Model Number	A		B		C		D		E		F		G		H		I		J	
	in.	mm	in.	mm	in.	mm	in.	mm	in.	mm	in.	mm	in.	mm	in.	mm	in.	mm	in.	mm
EWSF39026	90	2286	23	584	86	2184	16 1/4	413	2	51	16	406	8 1/8	206	4	102	11	279	22	559



NOTE: SEE REVERSE SIDE FOR ROUGH-IN DIMENSIONS

In keeping with our policy of continuing product improvement, Elkay reserves the right to change product specifications without notice.

This specification describes an Elkay product with design, quality and functional benefits to the user. When making a comparison of other producers' offerings, be certain these features are not overlooked.

ROUGH-IN DIMENSIONS

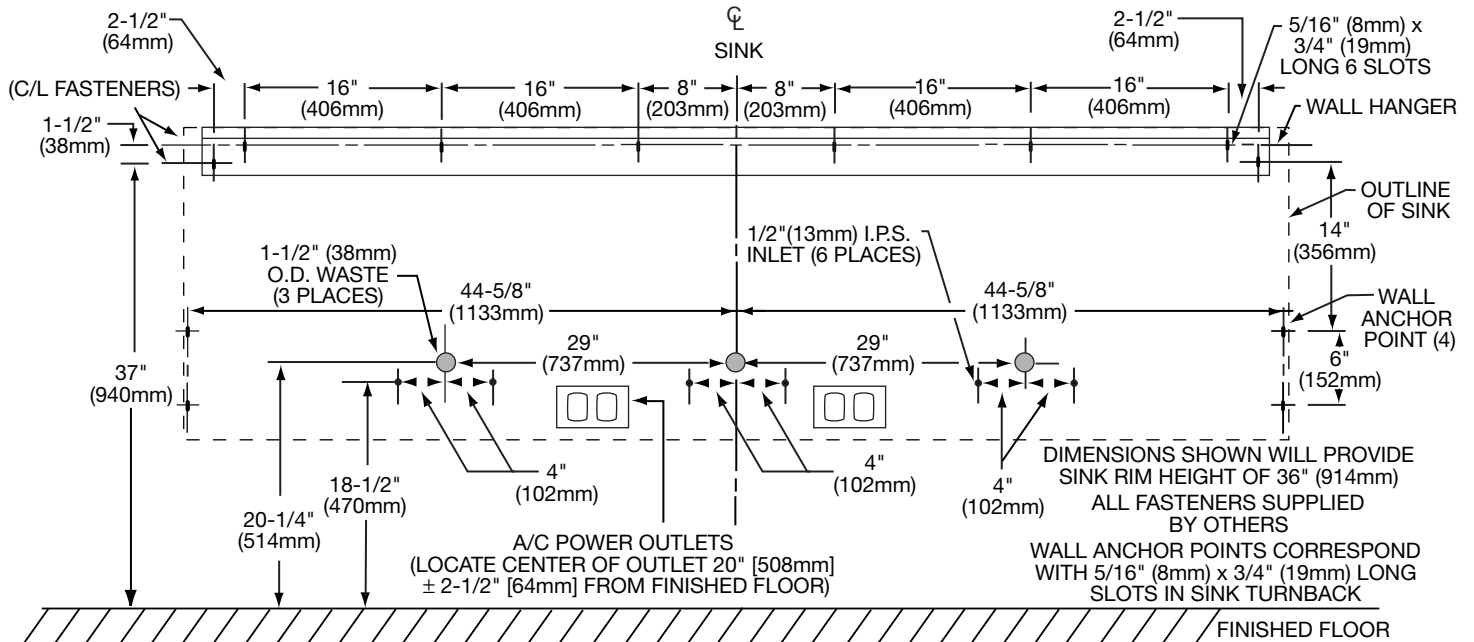
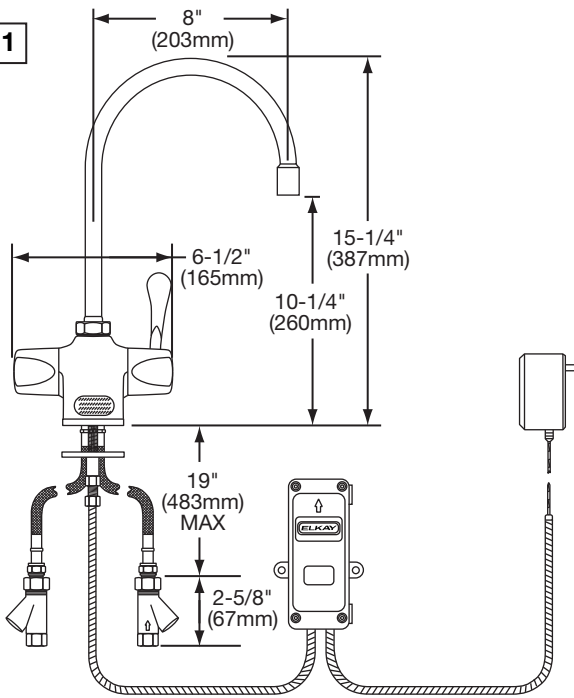


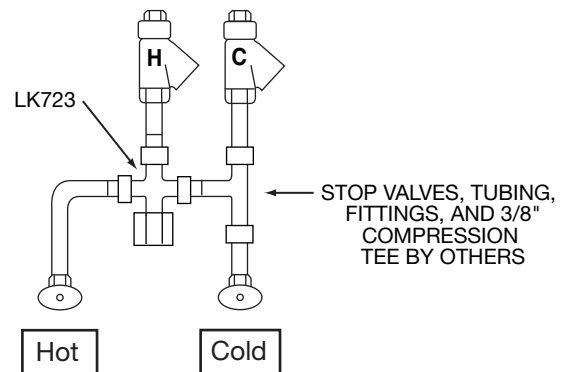
FIG. 1



LK720AC SENSOR FAUCET

TRIPLE STATION ROUGH-IN

FIG. 2



LK720AC SENSOR FAUCET WITH OPTIONAL LK723 THERMOSTATIC MIXING VALVE