

**Scrub-Up, Wall Mounted Sink
With Sensor Faucet, Battery Powered
Models EWS3120SBC,
EWS3120SBMC and EWS3120SBTMC**



SPECIFICATIONS

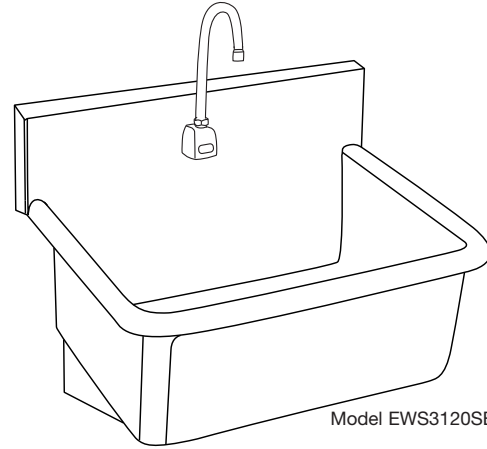
GENERAL

EWS3120 #14 gauge, type 304 (18-8) stainless steel scrub-up sink with 1-3/4" (44mm) radius vertical and horizontal covered corners. 1-1/2" (38mm) rolled rim. Full length 6" (152mm) high backsplash. Exposed surfaces are hand blended to a uniform satin luster finish. Underside is sound deadened. Furnished with wall hanger and stainless steel support brackets.

(CHECK MODEL SPECIFIED)

MODEL	FAUCET	DRAIN	MIXING VALVE
<input type="checkbox"/> EWS3120SBC	LK722B	LK18B	NONE
<input type="checkbox"/> EWS3120SBMC	LK722B	LK18B	LK724
<input type="checkbox"/> EWS3120SBTMC	LK722B	LK18B	LK723

LK722B Sensor-operated, non-mixing (tempered water), back-splash-mounted gooseneck faucet with adjustable sensor eyes. A continuous beam is emitted from sensor. The sensor faucet is activated by user placing hands under the spout. Tempered water will flow as long as hands remain within sensor range. When hands are removed, the water stops automatically based on shut off delay settings. The sensor then resets and is ready for the next user. Battery powered and has a battery holder with (4) AA batteries. Chrome plated - solid brass body construction and 12-3/4" (324mm) high (bottom of base to top of spout), 8-3/4" (222mm) from aerator to base, 5-3/8" (137mm) reach C.P. spout with 2.0 gpm laminar flow control on spout end. Includes vandal-resistant, water-resistant sensor control module with armored vandal-resistant control and power cables. Slow-closing piston operated solenoid valve, in-line filter with clean out trap, and 3/8" (10mm) copper fittings for supply tube furnished by contractor. Control circuit is solid state, has adjustable sensor range (6" [152mm] preset to 30" [762mm]), shut off delay preset at 1 second and field adjustable



to 2, 4 or 8 seconds, and automatic time-out feature (to prevent sink overflow) is preset at 0 seconds and is field adjustable to 15, 30 or 60 seconds.

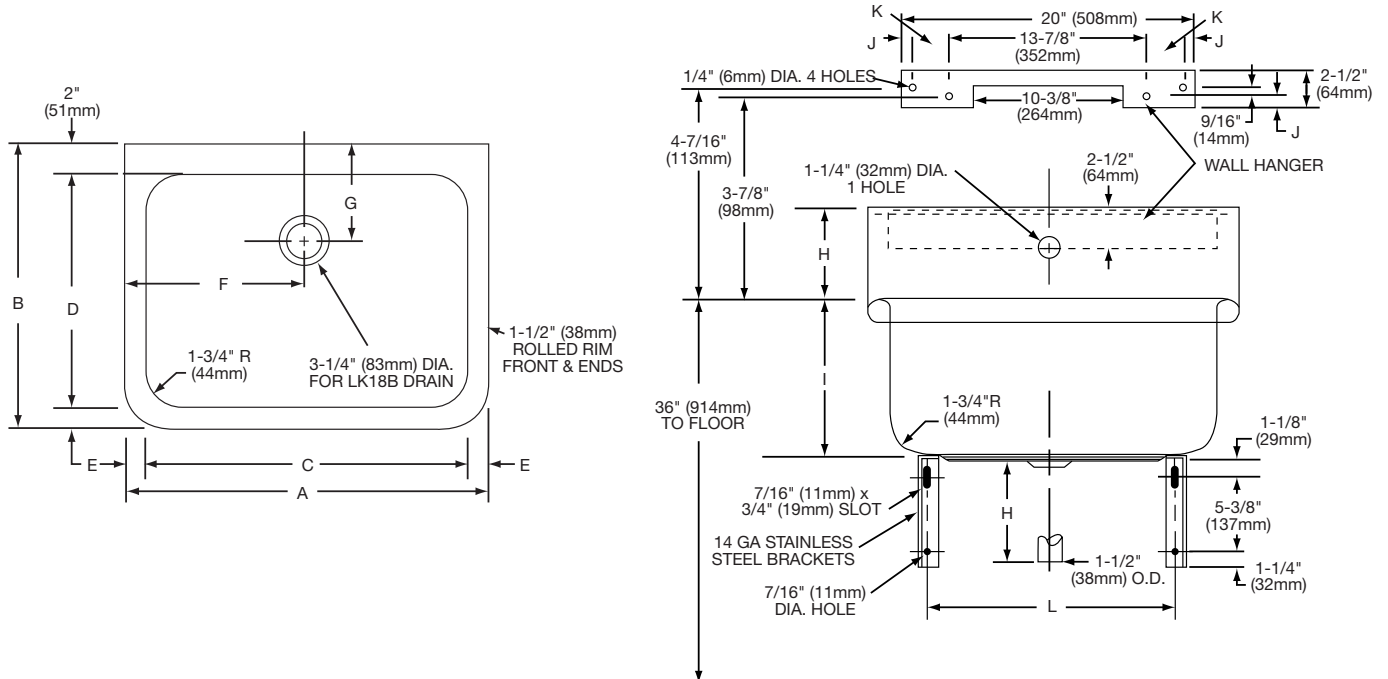
LK18B Stainless steel perforated grid strainer with 1-1/2" (38mm) O.D. stainless steel tailpiece.

LK723 Anti-scald thermostatic mixing valve with nickel-plated brass body 1/2" (13mm) SWT inlets and outlet connections, check valves on inlets and a mixed temperature range of 80°- 120°F. Certified under ASSE1016.

LK724 Mechanical mixing valve with C.P. brass body, 3/8" (10mm) compression inlets and outlet connections, and check valves on inlets.

DIMENSIONS

Model Number	A		B		C		D		E		F		G		H		I		J		K		L	
	in.	mm	in.	mm	in.	mm	in.	mm	in.	mm	in.	mm	in.	mm	in.	mm	in.	mm	in.	mm	in.	mm	in.	mm
EWS3120	31	787	19 1/2	495	28	711	16	406	1 1/2	38	15 1/2	394	7	178	6	152	10 1/2	267	7/16	11	2 5/8	67	23	584



**Scrub-Up, Wall Mounted Sink
With Sensor Faucet, Battery Powered
Models EWS3120SBC,
EWS3120SBMC and EWS3120SBTMC**



ROUGH-IN DIMENSIONS

