

**Scrub-up Sink, Wall Mounted
Mixing Faucet With Wrist Blade Handles
Models EWS2520W4C, EWS2520W6C, EWS2520,
EWS3120W4C, EWS3120W6C and EWS3120**

ELKAY®

SPECIFICATIONS

GENERAL

#14 gauge, type 304 (18-8), stainless steel scrub-up sink with 1-3/4" (44mm) radius vertical and horizontal covered corners. 1-1/2" (38mm) rolled rim. Full length 6" (152mm) high back-splash. Exposed surfaces are hand blended to a uniform lustrous satin finish. Underside is sound deadened. Furnished with wall hanger and stainless steel support brackets.

(CHECK MODEL SPECIFIED)

- EWS2520W4C (4" [102mm] Wrist Blade Handles)
- EWS2520W6C (6" [152mm] Wrist Blade Handles)
- EWS3120W4C (4" [102mm] Wrist Blade Handles)
- EWS3120W6C (6" [152mm] Wrist Blade Handles)

FURNISHED COMPLETE WITH:

SUPPLY: LK393A. Chrome plated mixing faucet with BH4A 4" (102mm) wrist blade handles, swing 10-1/4" (260mm) high gooseneck spout, AE19A vandal-resistant, anti-hose aerator.

- OR -

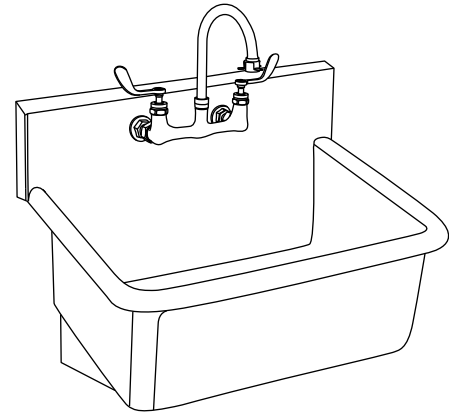
LK393ABH6. Chrome plated mixing faucet with BH6A 6" (152mm) wrist blade handles, swing 10-1/4" (260mm) high gooseneck spout, AE19A vandal-resistant, anti-hose aerator.

DRAIN: LK18B. Stainless steel perforated strainer grid. 1-1/2" (38mm) O.D. x 4" (102mm) stainless steel tailpiece.

FOLLOWING MODELS DO NOT INCLUDE FAUCETS AND DRAIN:

- EWS2520
- EWS3120

SPECIFY FAUCET DRILLINGS AND LOCATION.



Model EWS2520W6C

SEE OTHER SIDE FOR PRODUCT DIMENSIONS.

In keeping with our policy of continuing product improvement, Elkay reserves the right to change product specifications without notice.

This specification describes an Elkay product with design, quality and functional benefits to the user. When making a comparison of other producers' offerings, be certain these features are not overlooked.

ROUGH-IN DIMENSIONS

DIMENSIONS

Model Number EWS2520					
DIMS.	in.	mm	DIMS.	in.	mm
A	25	635	G	7	178
B	19 1/2	495	H	6	152
C	22	559	I	10 1/2	267
D	16	406	J	7/16	11
E	1 1/2	38	K	2 5/8	67
F	12 1/2	318	L	17	432

Model Number EWS3120					
DIMS.	in.	mm	DIMS.	in.	mm
A	31	787	G	7	178
B	19 1/2	495	H	6	152
C	28	711	I	10 1/2	267
D	16	406	J	7/16	11
E	1 1/2	38	K	2 5/8	67
F	15 1/2	394	L	23	584

