

ELKAY® SPECIFICATIONS

Pacemaker® Single Bowl Classroom Sink Models PSDKR2220 and PSDKRQ2220 Series

GENERAL

Fine quality sink bowl seamlessly formed of #20 gauge, type 304 (18-8) nickel bearing stainless steel. Self-rimming.

DESIGN FEATURES

Bowl Depth: 7-1/8".

Coved Corners: 1-3/4" vertical and horizontal radius.

Bowl and Faucet Deck Recess: 3/16" below outside edge of sink.

Finish: Exposed surfaces are polished to a lustrous highlighted satin finish.

Underside: Fully undercoated to dampen sound and prevent condensation.

OTHER

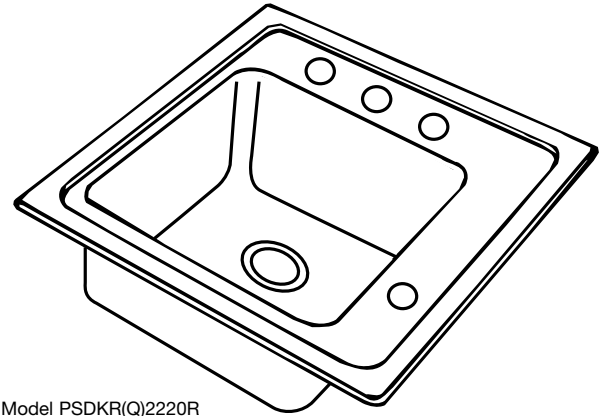
Drain Opening: 3-1/2".

Slotted hole allows for vandal-resistant bubbler.

Suffix "L" (left) or "R" (right) denotes the location of the side ledge.

NOTE: Unless otherwise specified, sink is only furnished with 4 faucet holes as shown.

These sinks comply with ANSI Standard A112.19.3M.



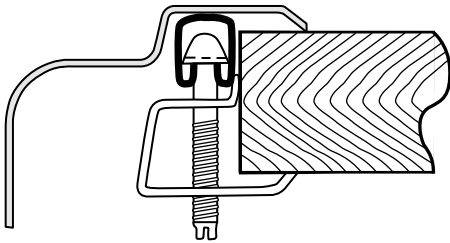
Model PSDKR(Q)2220R

SINK DIMENSIONS (INCHES)*

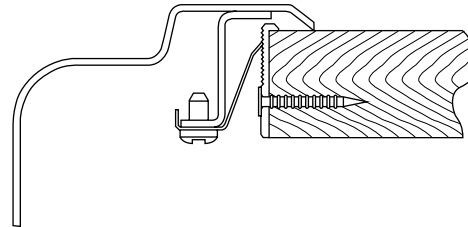
U-Channel Model Number	Quick-Clip® Model Number	Overall		Inside Bowl			Cutout in Countertop (1 1/2" Radius Corners)		No. of Faucet Holes (see back page)	Minimum Cabinet Size	Ship. Wt. Lbs.
		L	W	L	W	D	L	W			
PSDKR2220L	PSDKRQ2220L	22	19 1/2	16	13 1/2	7 1/8	21 3/8	18 7/8	2, 3 or 4	27	14
PSDKR2220R	PSDKRQ2220R	22	19 1/2	16	13 1/2	7 1/8	21 3/8	18 7/8	2, 3 or 4	27	14

* Length is left to right. Width is front to back.

U-Channel Type Mounting System



Quick-Clip® Mounting System

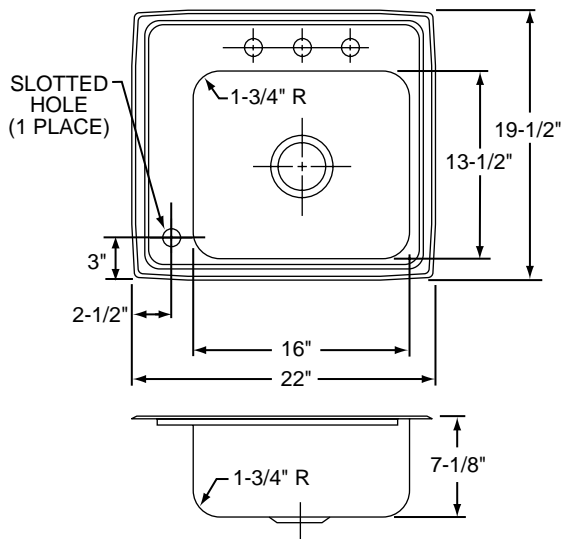


SEE OTHER SIDE FOR PRODUCT DIMENSIONS.

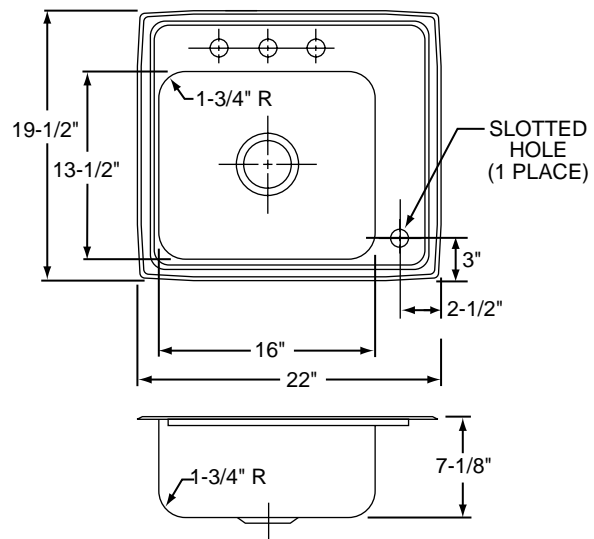
ALL DIMENSIONS IN INCHES, TO CONVERT TO MILLIMETERS MULTIPLY BY 25.4.

In keeping with our policy of continuing product improvement, Elkay reserves the right to change product specifications without notice.

This specification describes an Elkay product with design, quality and functional benefits to the user. When making a comparison of other producers' offerings, be certain these features are not overlooked.



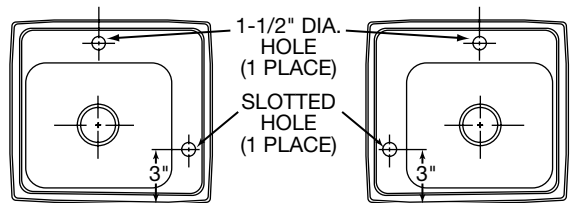
Model PSDKR2220L4 Illustrated



Model PSDKR2220R4 Illustrated

HOLE DRILLING CONFIGURATIONS

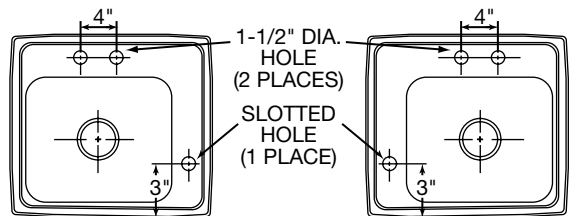
2 HOLE CONFIGURATION



MODEL PSDKR2220R2

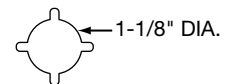
MODEL PSDKR2220L2

3 HOLE CONFIGURATION



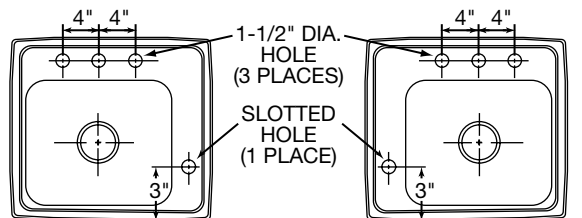
MODEL PSDKR2220R3

MODEL PSDKR2220L3



Slotted Hole

4 HOLE CONFIGURATION



MODEL PSDKR2220R4

MODEL PSDKR2220L4