

ELKAY[®]

SPECIFICATIONS

Lustertone[®] Two Bowl Sink and Fountain Packages Models DRKR3717 and DRKRQ3717 Series Models DRKAD3717 and DRKADQ3717 Series – A.D.A. Compliant

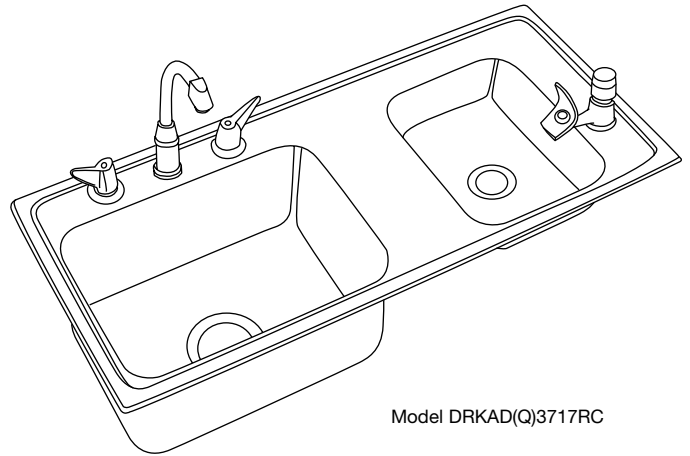
GENERAL

Lustertone sink and fountain bowl combination. Highest quality sink bowls seamlessly formed of #18 gauge, type 304 (18-8) nickel bearing stainless steel. Self-rimming.

CLASSROOM/INSTITUTIONAL SINK PACKAGE

These models feature a scratch and crack resistant two bowl stainless steel sink, Contemporary Hi-Arc[®] faucet and No Lead Flexi-Guard[®] Bubbler. Package includes:

- (1) **LK2439** Two-Handle Contemporary Hi-Arc[®] concealed undermount faucet with 45° restricted swing spout and aerator. Outlet height: 10"; Reach: 6-1/2". No spray.
- (1) **LK1141A** No Lead Flexi-Guard[®] Bubbler. Pushbutton valve design bubbler meets ANSI and A.D.A. requirements. Designed so that water never comes in contact with lead-containing materials. Flexi-Guard safety bubbler flexes on impact to prevent accidental injury when getting a drink. Built-in adjustable water volume control.
- (1) **LK35** Duo strainer for sink.
- (1) **LK8** Grid strainer for fountain.



Model DRKAD(Q)3717RC

OTHER

Drain Openings: 3-1/2" in large bowl, 2" in fountain bowl.
 Slotted hole allows for vandal-resistant bubbler.
 Suffix "L" (left) and "R" (right) denotes location of the fountain bowl.
 NOTE: Unless otherwise specified, sink is furnished with 4 faucet holes as shown.
 These sinks comply with ANSI Standard A112.19.3M.



Both faucet and bubbler are classified by Underwriters Laboratory, Inc. to **NSF/ANSI61** for residential use.

SINK DIMENSIONS (INCHES)*

U-Channel Model Number	Quick-Clip [®] Model Number	Overall		Inside Left Bowl			Inside Right Bowl			Partition	Fountain Bowl Location	Cutout in Countertop (1 1/2" Radius Corners)		Minimum Cabinet Size	Drain Openings Each Bowl	Ship. Wt. Lbs.
		L	W	L	W	D	L	W	D			L	W			
DRKR3717LC	DRKRQ3717LC	37 1/4	17	9 1/4	12	3 5/8	16	11 1/2	7 5/8	6	Left	36 5/8	16 3/8	42	Centered	27
†DRKR3717L	†DRKRQ3717L	37 1/4	17	9 1/4	12	3 5/8	16	11 1/2	7 5/8	6	Left	36 5/8	16 3/8	42	Centered	17 1/2
DRKR3717RC	DRKRQ3717RC	37 1/4	17	16	11 1/2	7 5/8	9 1/4	12	3 5/8	6	Right	36 5/8	16 3/8	42	Centered	27
†DRKR3717R	†DRKRQ3717R	37 1/4	17	16	11 1/2	7 5/8	9 1/4	12	3 5/8	6	Right	36 5/8	16 3/8	42	Centered	17 1/2
DRKAD3717LC	DRKADQ3717LC	37 1/4	17	9 1/4	12	3 5/8	16	11 1/2	‡	6	Left	36 5/8	16 3/8	42	Centered	27
†DRKAD3717L	†DRKADQ3717L	37 1/4	17	9 1/4	12	3 5/8	16	11 1/2	‡	6	Left	36 5/8	16 3/8	42	Centered	17 1/2
DRKAD3717RC	DRKADQ3717RC	37 1/4	17	16	11 1/2	‡	9 1/4	12	3 5/8	6	Right	36 5/8	16 3/8	42	Centered	27
†DRKAD3717R	†DRKADQ3717R	37 1/4	17	16	11 1/2	‡	9 1/4	12	3 5/8	6	Right	36 5/8	16 3/8	42	Centered	17 1/2

* Length is left to right. Width is front to back.

† Unless otherwise specified, all sinks which do not have suffix "C" are **less fittings** (no faucet, bubbler or drain), but are drilled for faucet, bubbler and drain as illustrated.

‡ Available in 5-1/2", 6" or 6-1/2" depths. Please consult your sales representative for other depths or modifications.

SEE OTHER SIDE FOR PRODUCT DIMENSIONS.

THIS PRODUCT, AS CONSTRUCTED IS SUBJECT TO INTERPRETATION OF A.D.A. REQUIREMENTS.
 THE UNOBSTRUCTED KNEE SPACE REQUIRED TO SATISFY A.D.A. STANDARDS MAY NOT BE DESIRABLE.

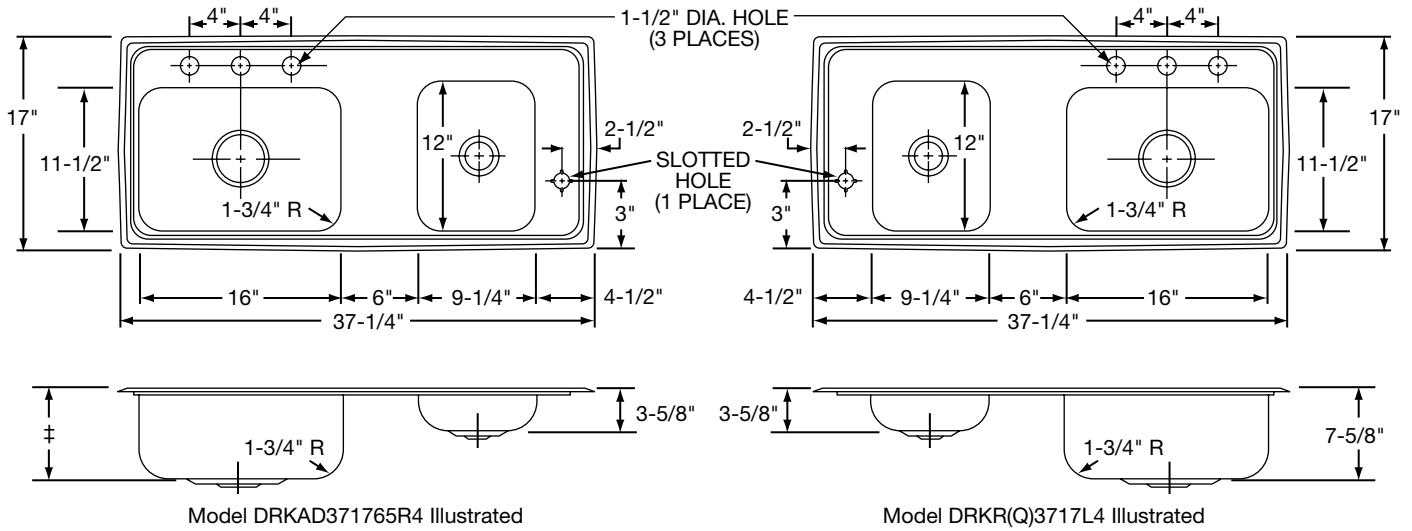
ALL DIMENSIONS IN INCHES, TO CONVERT TO MILLIMETERS MULTIPLY BY 25.4.

In keeping with our policy of continuing product improvement, Elkay reserves the right to change product specifications without notice.

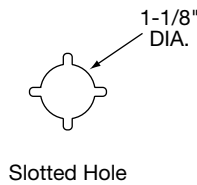
This specification describes an Elkay product with design, quality and functional benefits to the user. When making a comparison of other producers' offerings, be certain these features are not overlooked.

Lustertone® Two Bowl Sink and Fountain Packages
Models DRKR3717 and DRKRQ3717 Series
Models DRKAD3717 and DRKADQ3717 Series
A.D.A. Compliant

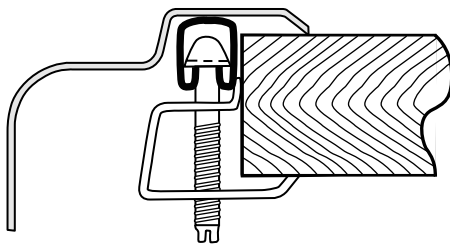
ELKAY®
SPECIFICATIONS



‡ Available in 5-1/2", 6" or 6-1/2" depths. Please consult your sales representative for other depths or modifications.



U-Channel Type Mounting System



Quick-Clip® Mounting System

