

ELKAY® SPECIFICATIONS

Lustertone® Undermount Triple Bowl Sink Model ELUH4020

GENERAL

Highest quality sink seamlessly drawn of #18 (1.2mm) gauge, type 304 (18-8) nickel bearing stainless steel. Underside of sink is fully protected by heavy duty Sound Guard® undercoating. Designed to accept waste disposer.

DESIGN FEATURES

Bowl Depth: 9-7/8" (251mm) (left bowl), 5" (127mm) (center), 7-7/8" (200mm) (right bowl).

Finish: Exposed surfaces are hand blended to a lustrous highlighted satin finish.

Underside: Fully protected by heavy duty Sound Guard® undercoating to prevent condensation and deaden sound.

OTHER

Drain Opening: 3-1/2" (89mm).

NOTE: All Elkay custom design undermount sinks are designed to affix easily to the underside of any solid surface countertop.

OPTIONAL ACCESSORIES

Rinsing Baskets: LKRB1611, LKRB1614, LKRB715 and LKERBSS.

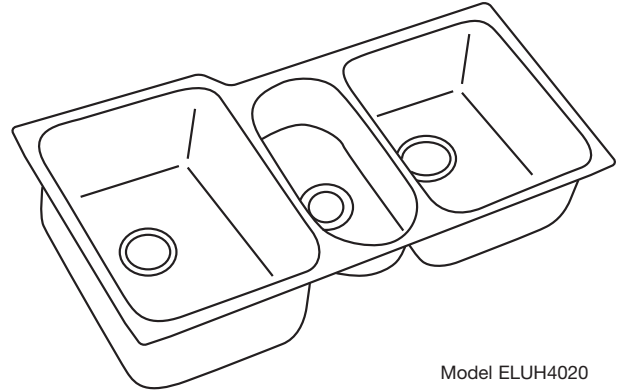
Bottom Grids: LKOBG1814 and LKOBG1613.

Cutting Boards: CBS1316, CBS1418, CBS715, CBR1316 and CBR1418.

This sink complies with ASME A112.19.3.



This sink is listed by the International Association of Plumbing and Mechanical Officials as meeting the requirements of the Uniform Plumbing Code.



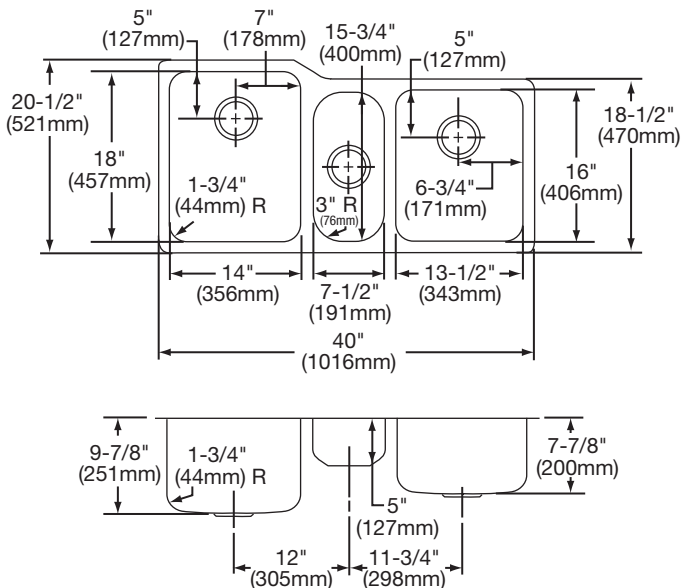
Model ELUH4020

SINK DIMENSIONS*

Model Number	Overall		Inside Left Bowl			Inside Center Bowl			Inside Right Bowl			Cutout in Countertop	Minimum Cabinet Size
	L	W	L	W	D	L	W	D	L	W	D		
ELUH4020	40 (1016mm)	20 1/2 (521mm)	14 (356mm)	18 (457mm)	9 7/8 (251mm)	7 1/2 (191mm)	15 3/4 (400mm)	5 (127mm)	13 1/2 (343mm)	16 (406mm)	7 7/8 (200mm)	See Template**	45 (1143mm)

*Length is left to right. Width is front to back.

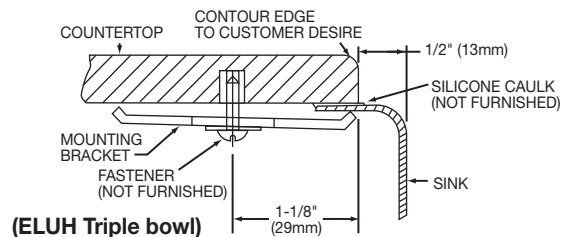
**Template and countertop mounting clips are packed with every sink.



Model ELUH4020 Illustrated

Installation Profile of ELUH Triple Bowl Models

The template provided with each ELUH sink provides the only type of installation recommended by Elkay.



In keeping with our policy of continuing product improvement, Elkay reserves the right to change product specifications without notice. Please visit elkayusa.com for most current version of Elkay product specification sheets.

This specification describes an Elkay product with design, quality and functional benefits to the user. When making a comparison of other producers' offerings, be certain these features are not overlooked.

Elkay

elkayusa.com

2222 Camden Court
Oak Brook, IL 60523

Printed in U.S.A.
©2008 Elkay

(Rev. 9/08) 1-133C