

# ELKAY<sup>®</sup>

## SPECIFICATIONS

### Harmony Undermount Single Bowl Sink Models ELU2421L, ELU2421R, ELUH2421L and ELUH2421R

#### GENERAL

Highest quality sink formed of #18 (1.2mm) gauge, type 304 (18-8) nickel bearing stainless steel.

#### DESIGN FEATURES

Bowl Depth: 6" (152mm) Disposer Bowl and 2" (51mm) Integral Ribbed Area.

Finish: Exposed surfaces are hand blended to a lustrous satin finish.

Underside: Fully protected by heavy duty Sound Guard™ undercoating to prevent condensation and deaden sound.

Includes CBP1319L or CBP1319R cutting board.

#### OTHER

Drain Opening: 3-1/2" (89mm).

Suffix L (left) or R (right) denotes location of the drain.

NOTE: All Elkay undermount sinks are designed to affix to the underside of any solid surface countertop.

Installation: See illustrated profile below.

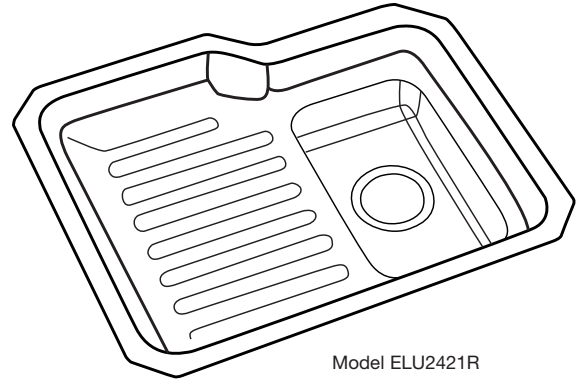
These sinks comply with ASME A112.19.3.



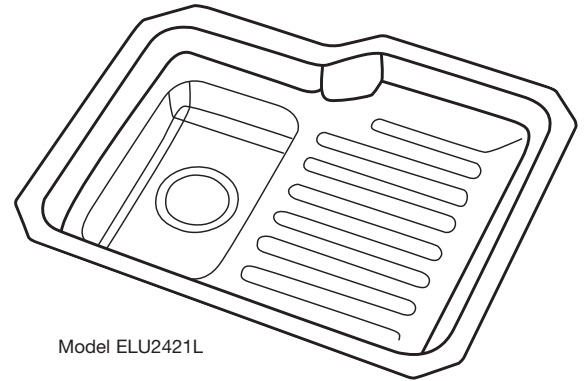
These sinks are listed by the International Association of Plumbing and Mechanical Officials as meeting the requirements of the Uniform Plumbing Code.

#### OPTIONAL ACCESSORIES

Drain: LK99.



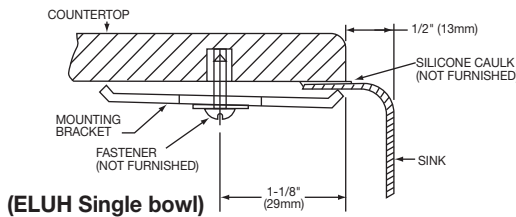
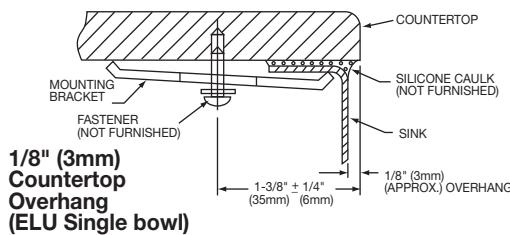
Model ELU2421R



Model ELU2421L

#### Installation Profile of ELU and ELUH Single Bowl Models

The template provided with each ELU/ELUH sink provides the only type of installation recommended by Elkay.



SEE NEXT PAGE FOR PRODUCT DIMENSIONS.

THIS PRODUCT, AS CONSTRUCTED IS SUBJECT TO INTERPRETATION OF A.D.A. REQUIREMENTS. THE UNOBSTRUCTED KNEE SPACE REQUIRED TO SATISFY A.D.A. STANDARDS MAY NOT BE DESIRABLE.

*In keeping with our policy of continuing product improvement, Elkay reserves the right to change product specifications without notice. Please visit elkayusa.com for most current version of Elkay product specification sheets.*

*This specification describes an Elkay product with design, quality and functional benefits to the user. When making a comparison of other producers' offerings, be certain these features are not overlooked.*

**Harmony Undermount Single Bowl Sink**  
**Models ELU2421L, ELU2421R,**  
**ELUH2421L and ELUH2421R**

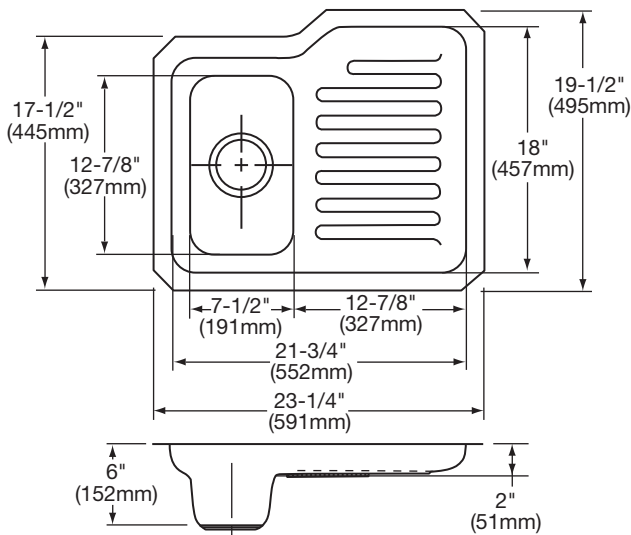
**ELKAY®**  
**SPECIFICATIONS**

**SINK DIMENSIONS\***

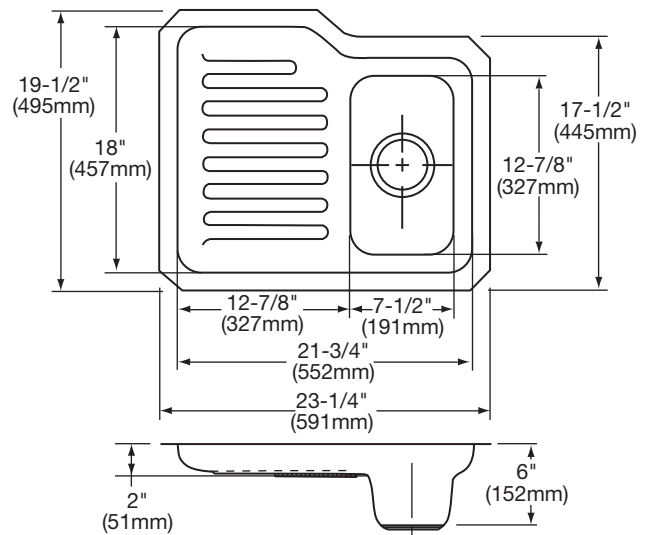
Model Number	Overall		Integral Ribbed Area			Disposer Bowl			Countertop Cutout	Minimum Cabinet Size
	L	W	L	W	D	L	W	D		
ELU2421L	23 <sup>1</sup> / <sub>4</sub> (591mm)	19 <sup>1</sup> / <sub>2</sub> (495mm)	12 <sup>7</sup> / <sub>8</sub> (327mm)	18 (457mm)	2 (51mm)	7 <sup>1</sup> / <sub>2</sub> (191mm)	12 <sup>7</sup> / <sub>8</sub> (327mm)	6 (152mm)	See Template**	27 (686mm)
ELU2421R	23 <sup>1</sup> / <sub>4</sub> (591mm)	19 <sup>1</sup> / <sub>2</sub> (495mm)	12 <sup>7</sup> / <sub>8</sub> (327mm)	18 (457mm)	2 (51mm)	7 <sup>1</sup> / <sub>2</sub> (191mm)	12 <sup>7</sup> / <sub>8</sub> (327mm)	6 (152mm)		27 (686mm)
ELUH2421L	24 <sup>1</sup> / <sub>4</sub> (622mm)	20 <sup>1</sup> / <sub>2</sub> (521mm)	12 <sup>7</sup> / <sub>8</sub> (327mm)	18 (457mm)	2 (51mm)	7 <sup>1</sup> / <sub>2</sub> (191mm)	12 <sup>7</sup> / <sub>8</sub> (327mm)	6 (152mm)		30 (686mm)
ELUH2421R	24 <sup>1</sup> / <sub>4</sub> (622mm)	20 <sup>1</sup> / <sub>2</sub> (521mm)	12 <sup>7</sup> / <sub>8</sub> (327mm)	18 (457mm)	2 (51mm)	7 <sup>1</sup> / <sub>2</sub> (191mm)	12 <sup>7</sup> / <sub>8</sub> (327mm)	6 (152mm)		30 (686mm)

\*Length is left to right. Width is front to back.

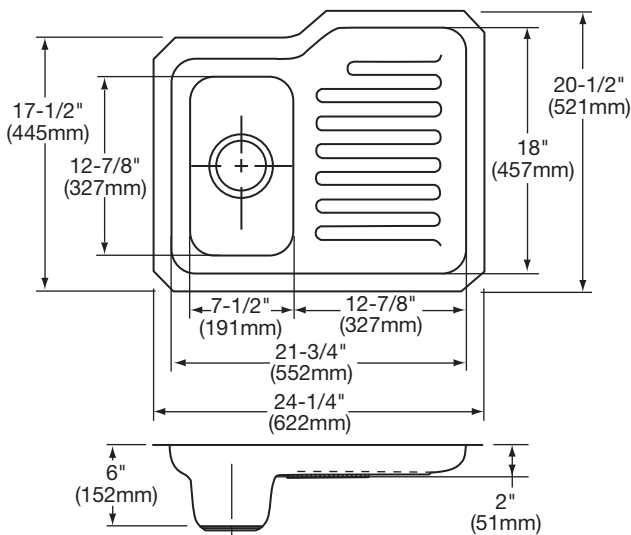
\*\*Template and countertop mounting clips are packed with every sink.



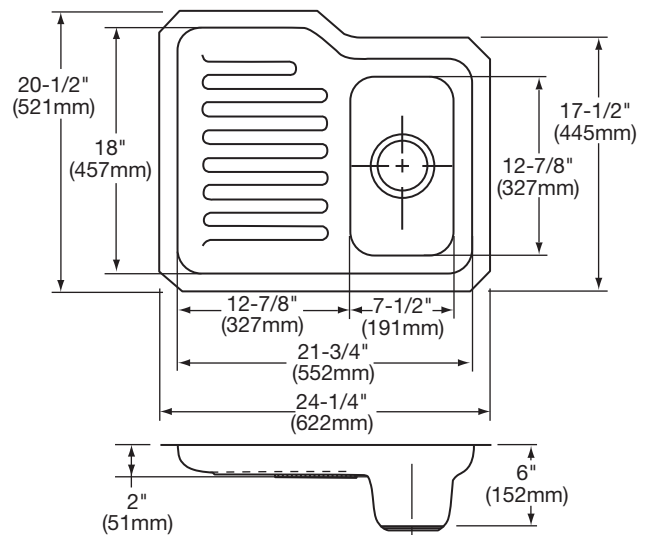
Model ELU2421L Illustrated



Model ELU2421R Illustrated



Model ELUH2421L Illustrated



Model ELUH2421R Illustrated