

# ELKAY® SPECIFICATIONS

## Three Station Wash Sink Wall Mounted Models EWMA6020C, EWMA6020, EWMA7220C and EWMA7220

### GENERAL

#14 gauge, type 304 (18-8), stainless steel multiple station wash sink. 1-1/2" (38mm) wide inward sloping top channel rims, with 2" (51mm) flat apron. Full length 10" (254mm) high backsplash. Rim corners are square, slanted front. Exposed surfaces are hand blended to a uniform lustrous satin finish. Furnished with wall hangers and stainless steel support brackets.

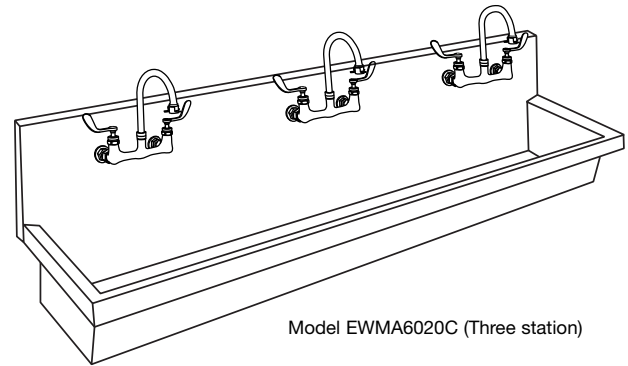
(CHECK MODEL SPECIFIED)

- EWMA6020C
- EWMA7220C

### FURNISHED COMPLETE WITH:

**SUPPLY: LK940GNO8T4H.** (Three) chrome plated mixing faucet with 4" (102mm) wrist blade handles, swing 8" (203mm) high gooseneck spout, vandal-resistant, anti-hose aerator.

**DRAIN: LK18B.** Stainless steel perforated strainer grid. 1-1/2" (38mm) O.D. x 4" (102mm) stainless steel tailpiece.



Model EWMA6020C (Three station)

### FOLLOWING MODELS DO NOT INCLUDE SUPPLY AND DRAIN:

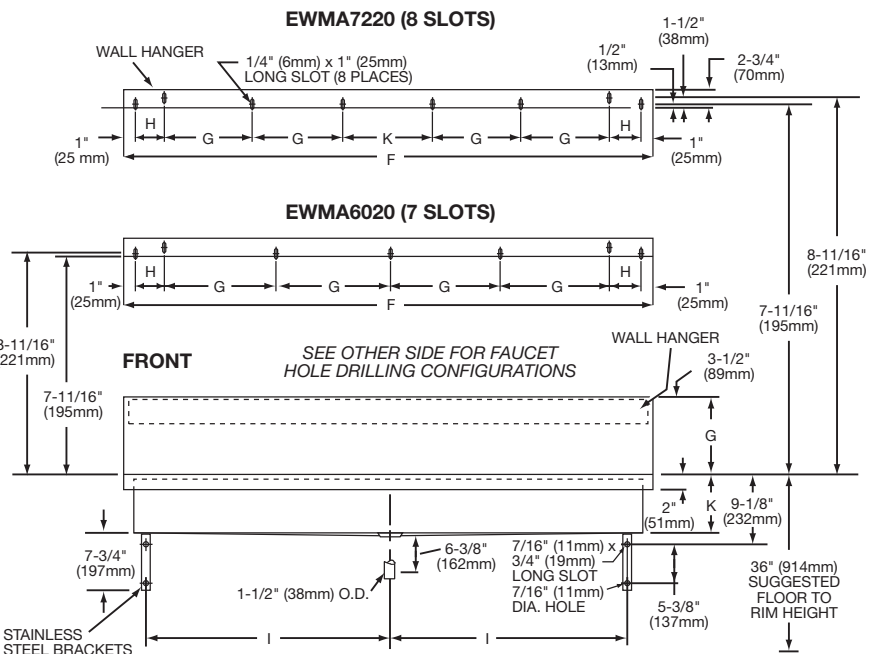
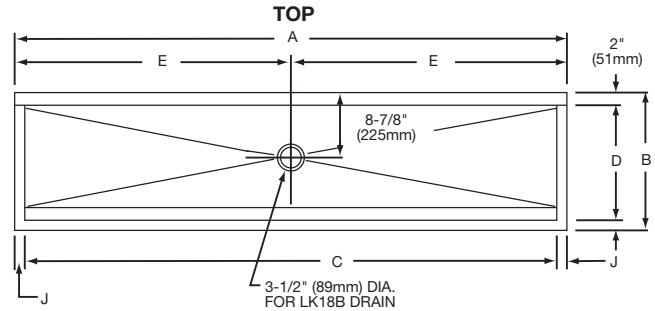
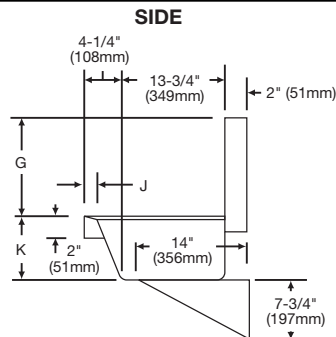
- EWMA6020
- EWMA7220

SPECIFY FAUCET DRILLINGS AND LOCATION.  
(See other side for standard faucet hole drilling configurations.)

### DIMENSIONS

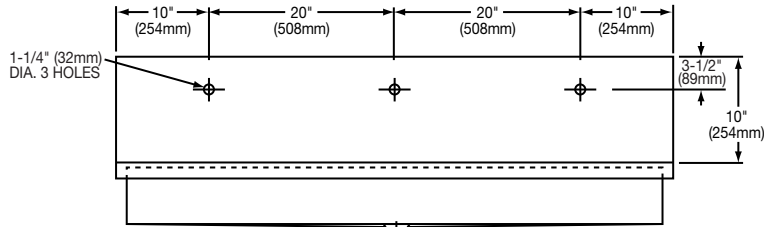
Model Number EWMA6020					
DIMS.	in.	mm	DIMS.	in.	mm
A	60	1524	G	10	254
B	20	508	H	4	102
C	57	1448	I	27 1/2	699
D	16 1/2	419	J	1 1/2	38
E	30	762	K	8	203
F	50	1270			

Model Number EWMA7220					
DIMS.	in.	mm	DIMS.	in.	mm
A	72	1829	G	10	254
B	20	508	H	4	102
C	69	1753	I	33 1/2	851
D	16 1/2	419	J	1 1/2	38
E	36	914	K	8	203
F	58	1473			

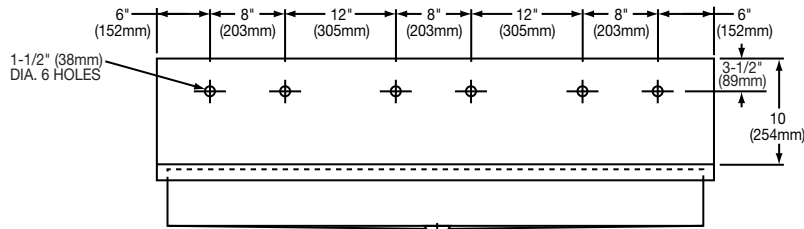


In keeping with our policy of continuing product improvement, Elkay reserves the right to change product specifications without notice.

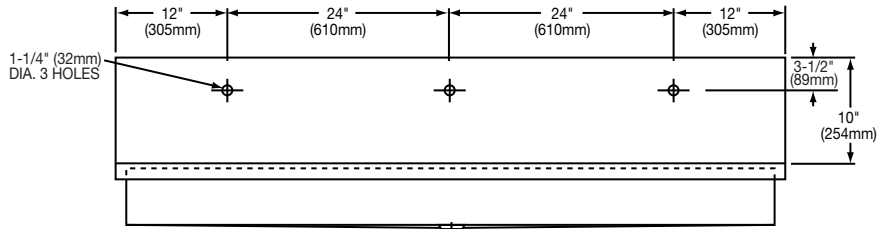
**HOLE DRILLING CONFIGURATIONS**



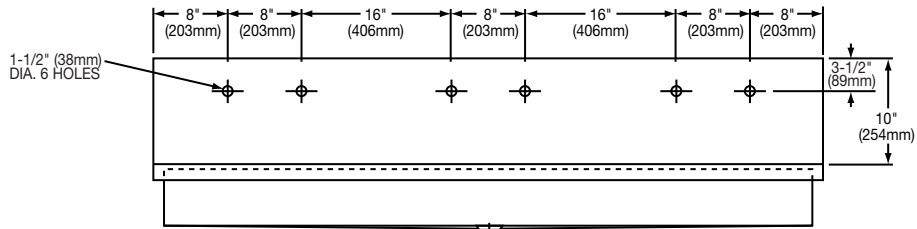
EWMA60203



EWMA60206



EWMA72203



EWMA72206