

**Two Station Wall Mounted Wash Sink  
With Sensor Faucets, Battery Powered  
Models EWMA4820SBC,  
EWMA4820SBMC and EWMA4820SBTMC**



**SPECIFICATIONS**

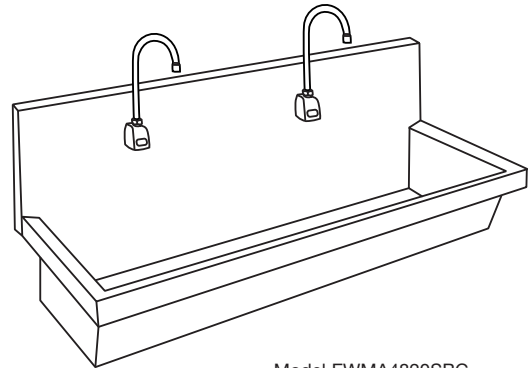
**GENERAL**

**EWMA4820** #14 gauge, type 304 (18-8) stainless steel two station wash sink with 1/4" (6mm) radius coved corners. 1-1/2" (38mm) wide sloping top channel rims, with 2" (51mm) flat apron. Full length 10" (254mm) high backsplash. Rim corners are square. Exposed surfaces are hand blended to a uniform satin luster finish. Furnished with wall hangers and stainless steel support brackets.

(CHECK MODEL SPECIFIED)

MODEL	FAUCET	DRAIN	MIXING VALVE
<input type="checkbox"/> EWMA4820SBC	LK722B (2)	LK18B	NONE
<input type="checkbox"/> EWMA4820SBMC	LK722B (2)	LK18B	LK724 (2)
<input type="checkbox"/> EWMA4820SBTMC	LK722B (2)	LK18B	LK723 (2)

**LK722B** Sensor-operated, non-mixing (tempered water), back-splash-mounted gooseneck faucet with adjustable sensor eyes. A continuous beam is emitted from sensor. The sensor faucet is activated by user placing hands under the spout. Tempered water will flow as long as hands remain within sensor range. When hands are removed, the water stops automatically based on shut off delay settings. The sensor then resets and is ready for the next user. Battery powered and has a battery holder with (4) AA batteries. Chrome plated - solid brass body construction and 12-3/4" (324mm) high (bottom of base to top of spout), 8-3/4" (222mm) from aerator to base, 5-3/8" (137mm) reach C.P. spout with 2.0 gpm laminar flow control on spout end. Includes vandal-resistant, water-resistant sensor control module with armored vandal-resistant control and power cables. Slow-closing piston operated solenoid valve, in-line filter with clean out trap, and 3/8" (10mm) copper fittings for supply tube furnished by contractor. Control circuit is solid



Model EWMA4820SBC

state, has adjustable sensor range (6" [152mm] preset to 30" [762mm]), shut off delay preset at 1 second and field adjustable to 2, 4 or 8 seconds, and automatic time-out feature (to prevent sink overflow) is preset at 0 seconds and is field adjustable to 15, 30 or 60 seconds.

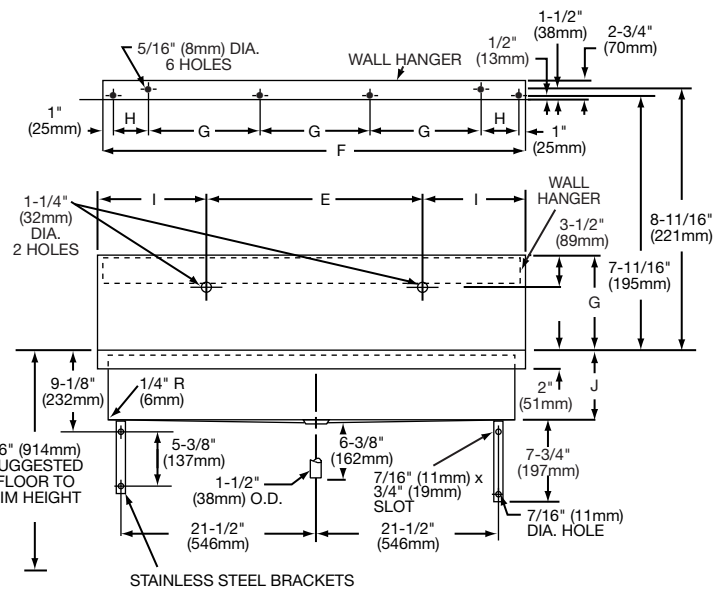
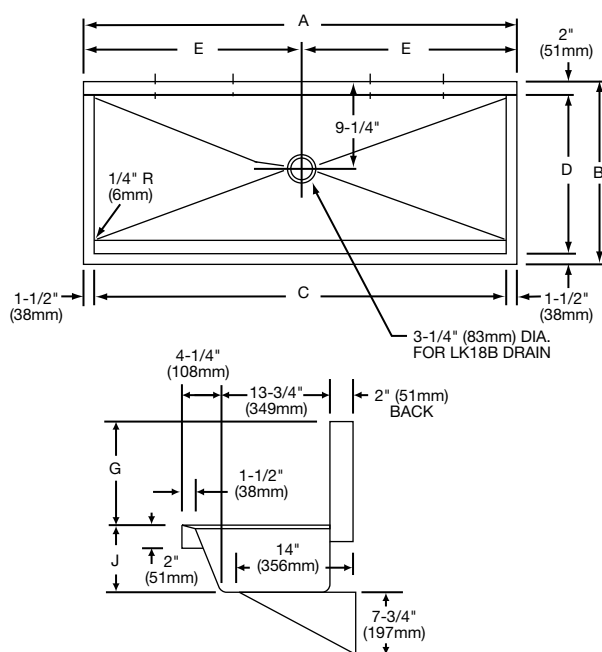
**LK18B** Stainless steel perforated grid strainer with 1-1/2" (38mm) O.D. stainless steel tailpiece.

**LK723** Anti-scald thermostatic mixing valve with nickel-plated brass body 1/2" (13mm) SWT inlets and outlet connections, check valves on inlets and a mixed temperature range of 80°- 120°F. Certified under ASSE1016.

**LK724** Mechanical mixing valve with C.P. brass body, 3/8" (10mm) compression inlets and outlet connections, and check valves on inlets.

**DIMENSIONS**

Model Number	A		B		C		D		E		F		G		H		I		J	
	in.	mm	in.	mm	in.	mm	in.	mm	in.	mm	in.	mm	in.	mm	in.	mm	in.	mm	in.	mm
EWMA4820	48	1219	20	508	45	1143	16 1/2	419	24	610	40	1016	10	254	4	102	12	305	8	203



**Two Station Wall Mounted Wash Sink  
With Sensor Faucets, Battery Powered  
Models EWMA4820SBC,  
EWMA4820SBMC and EWMA4820SBTMC**



**ROUGH-IN DIMENSIONS**

