

**Hand Wash-Up Sink With Sensor Faucet
Battery Powered, Models CHS1716SBC,
CHS1716SBMC and CHS1716SBTMC**



SPECIFICATIONS

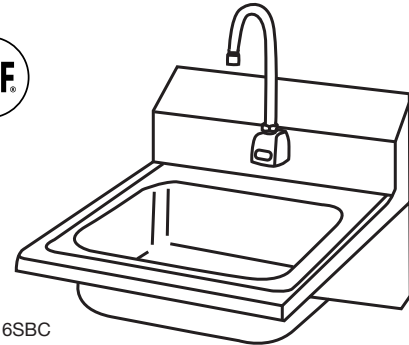
GENERAL

CHS1716 Type 304 (18-8) stainless steel hand sink. Basin has 1-3/4" (45mm) radius coved corners. Full length 7" (178mm) high backsplash. Exposed surfaces have a brushed finish. Furnished with a wall hanger and integral stainless steel support brackets. Carries NSF International Certification.

(CHECK MODEL SPECIFIED)

MODEL	FAUCET	DRAIN	TRAP	MIXING VALVE
<input type="checkbox"/> CHS1716SBC	LK722B	LK8	LK500	NONE
<input type="checkbox"/> CHS1716SBMC	LK722B	LK8	LK500	LK724
<input type="checkbox"/> CHS1716SBTMC	LK722B	LK8	LK500	LK723

LK722B Sensor-operated, non-mixing (tempered water), backsplash-mounted gooseneck faucet with adjustable sensor eyes. A continuous beam is emitted from sensor. The sensor faucet is activated by user placing hands under the spout. Tempered water will flow as long as hands remain within sensor range. When hands are removed, the water stops automatically based on shut off delay settings. The sensor then resets and is ready for the next user. Battery powered and has a battery holder with (4) AA batteries. Chrome plated - solid brass body construction and 12-3/4" (324mm) high (bottom of base to top of spout), 8-3/4" (222mm) from aerator to base, 5-3/8" (137mm) reach C.P. spout with 2.0 gpm laminar flow control on spout end. Includes vandal-resistant, water-resistant sensor control module with armored vandal-resistant control and power cables. Slow-closing piston operated solenoid valve, in-line filter with clean out trap, and 3/8" (10mm) copper fittings for supply tube furnished by contractor. Control circuit is solid state, has adjustable sensor range (6" [152mm] preset to 30" [762mm]), shut off delay preset at 1 second and field adjustable



Model CHS1716SBC

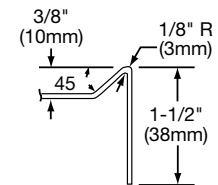
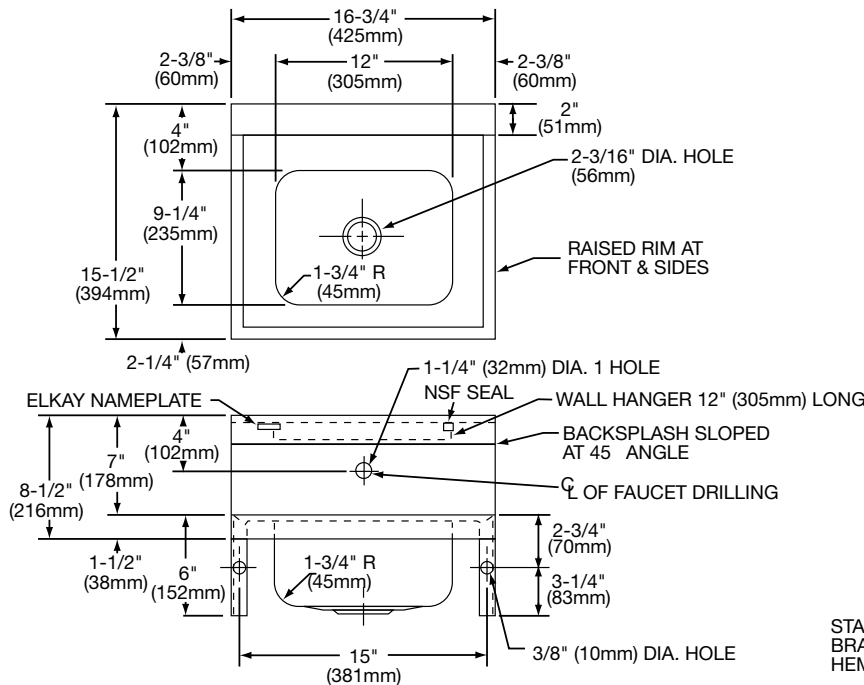
to 2, 4 or 8 seconds, and automatic time-out feature (to prevent sink overflow) is preset at 0 seconds and is field adjustable to 15, 30 or 60 seconds.

LK8 Chrome plated grid strainer with 1-1/2" (38mm) O.D. tailpiece.

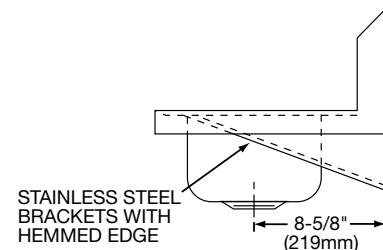
LK500 Satin chrome cast brass "P" trap with cleanout, chrome plated 1-1/2" (38mm) O.D. tubing waste arm to wall, and wall flange.

LK723 Anti-scald thermostatic mixing valve with nickel-plated brass body 1/2" (13mm) SWT inlets and outlet connections, check valves on inlets and a mixed temperature range of 80°- 120°F. Certified under ASSE1016.

LK724 Mechanical mixing valve with C.P. brass body, 3/8" (10mm) compression inlets and outlet connections, and check valves on inlets.



SECTION THROUGH RIM



In keeping with our policy of continuing product improvement, Elkay reserves the right to change product specifications without notice.

ROUGH-IN DIMENSIONS

