

ELKAY® SPECIFICATIONS

Two Station Wall Mounted Wash Sink Models EWMA4820C and EWMA4820

GENERAL

#14 gauge, type 304 (18-8), stainless steel multiple station wash sink. 1-1/2" (38mm) wide inward sloping top channel rims, with 2" (51mm) flat apron. Full length 10" (254mm) high backsplash. Exposed surfaces are hand blended to a uniform lustrous satin finish. Furnished with wall hangers and stainless steel support brackets.

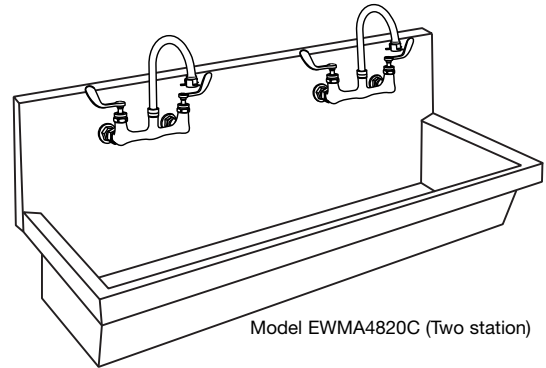
(CHECK MODEL SPECIFIED)

EWMA4820C

FURNISHED COMPLETE WITH:

SUPPLY: LK940GNO8T4H. (Two) chrome plated mixing faucet with BH6A 4" (102mm) wrist blade handles, swing 8" (203mm) high gooseneck spout, vandal-resistant anti-hose aerator.

DRAIN: LK18B. Stainless steel perforated strainer grid. 1-1/2" (38mm) O.D. x 4" (102mm) stainless steel tailpiece.



Model EWMA4820C (Two station)

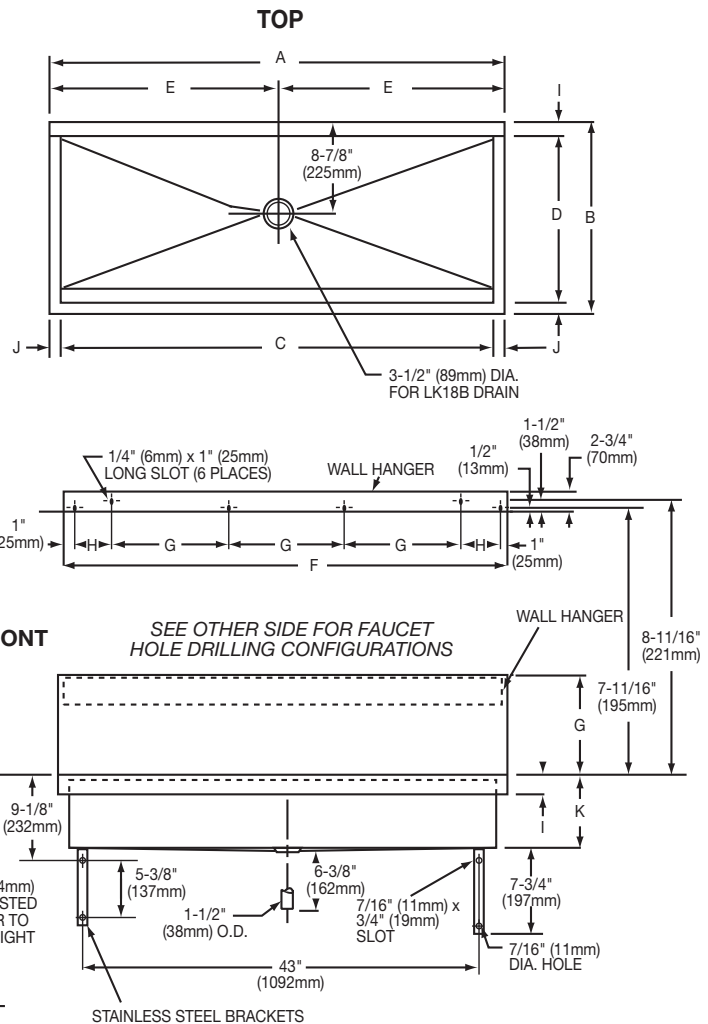
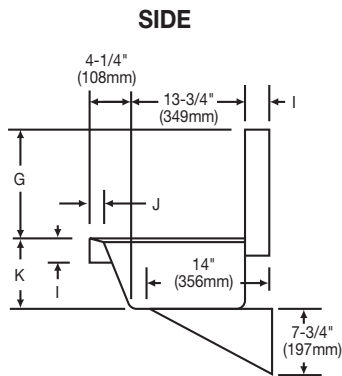
FOLLOWING MODEL DOES NOT INCLUDE SUPPLY AND DRAIN:

EWMA4820

SPECIFY FAUCET DRILLINGS AND LOCATION.
(See other side for standard faucet hole drilling configurations.)

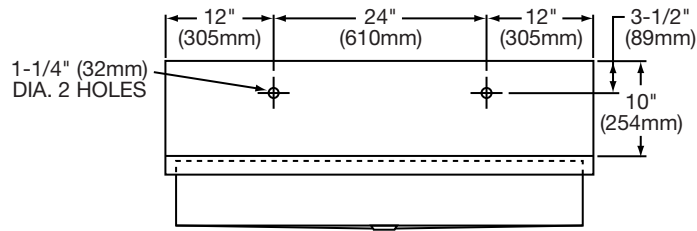
DIMENSIONS

Model Number EWMA4820					
DIMS.	in.	mm	DIMS.	in.	mm
A	48	1219	G	10	254
B	20	508	H	4	102
C	45	1143	I	2	51
D	16 1/2	419	J	1 1/2	38
E	24	610	K	8	203
F	40	1016			

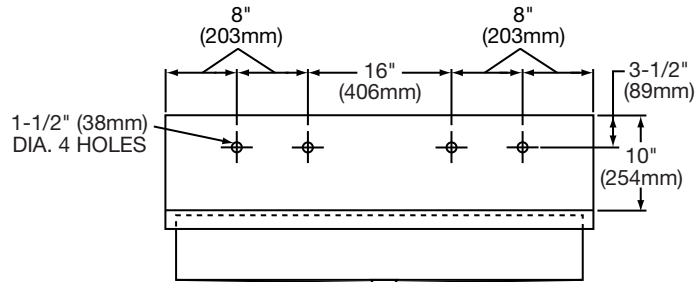


In keeping with our policy of continuing product improvement, Elkay reserves the right to change product specifications without notice.

HOLE DRILLING CONFIGURATIONS



EWMA48202



EWMA48204