

ELKAY® SPECIFICATIONS

Pacemaker® Double Bowl Sink 20 Gauge – Type 304 – Self Rim Model PSR3322

GENERAL

Fine quality Pacemaker double bowl sink is seamlessly drawn of #20 gauge, type 304 (18-8) nickel bearing stainless steel. Self-rimming.

DESIGN FEATURES

Bowl Depth: 7-1/2" (both bowls).

Coved Corners: 1-3/4" radius.

Bowl and Faucet Deck Recess: 7/16" drop ledge.

Finish: Exposed surfaces are polished to a lustrous high-lighted bright satin finish.

Underside: Fully protected by Heavy Duty Sound Guard® undercoating.

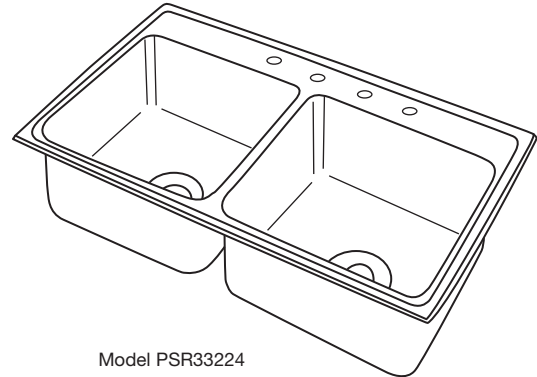
OTHER

Drain Opening: 3-1/2".

Faucet Holes: Available with 0, 1, 2, 3, 4 or 5, 1-1/2" diameter faucet holes, 4" center to center.

NOTE: Unless otherwise specified, sink is furnished with 4 faucet holes as shown.

This sink complies with ANSI Standard A112.19.3m.



Model PSR33224

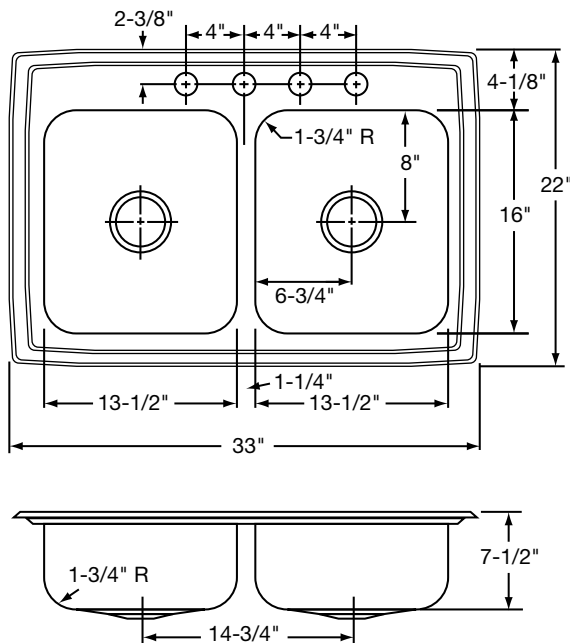


These sinks are listed by the International Association of Plumbing and Mechanical Officials as meeting the requirements of the Uniform Plumbing Code.

SINK DIMENSIONS (INCHES)*

Model Number	Overall		Inside Each Bowl			Cutout in Countertop (1 1/2" Radius Corners)		No. of 1 1/2" Dia. Faucet Holes 4" Centers	Minimum Cabinet Size	Ship. Wt. Lbs.
	L	W	L	W	D	L	W			
PSR3322	33	22	13 1/2	16	7 1/2	32 3/8	21 3/8	0, 1, 2, 3, 4 or 5	36	20

* Length is left to right. Width is front to back.



Model PSR33224 Illustrated

ALL DIMENSIONS IN INCHES, TO CONVERT TO MILLIMETERS MULTIPLY BY 25.4.

In keeping with our policy of continuing product improvement, Elkay reserves the right to change product specifications without notice.

This specification describes an Elkay product with design, quality and functional benefits to the user. When making a comparison of other producers' offerings, be certain these features are not overlooked.