

ELKAY® SPECIFICATIONS

Lustertone® Undermount Single Bowl Sink with Apron Model ELUHF2520

GENERAL

Highest quality sink, with integral apron, formed of #18 (1.2mm) gauge, type 304 (18-8) nickel bearing stainless steel. Undermount.

DESIGN FEATURES

Bowl Depth: 7-7/8" (200mm).

Finish: Exposed surfaces are hand blended to a lustrous satin finish.

Underside: Underside of sink is fully protected by heavy duty Sound Guard™ undercoating to prevent condensation and dampen sound.

OTHER

Drain Opening: 3-1/2" (89mm).

Note: For solid surface countertop installations only.

Installation: See illustrated profile below.

Countertop mounting clips are packed with every sink.

OPTIONAL ACCESSORIES

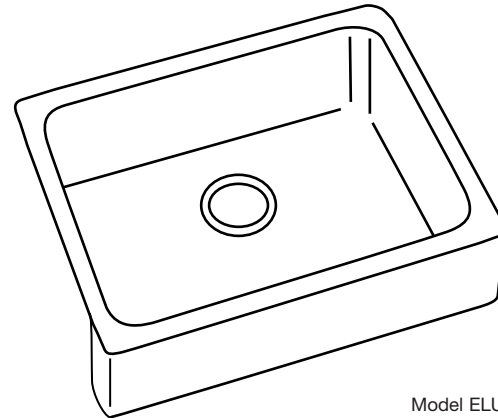
Rinsing Basket: LKRB1520 and LKERBSS.

Cutting Boards: CB1716 and CBC1714.

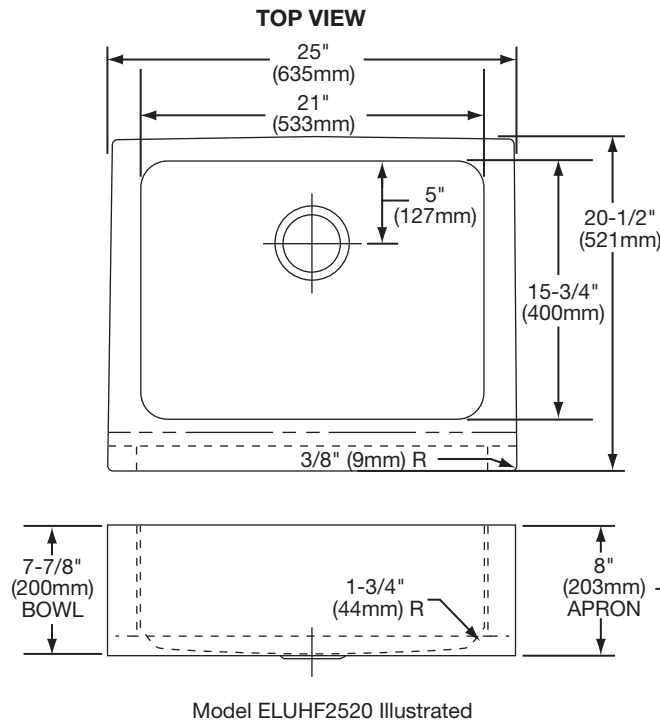
SINK DIMENSIONS*

Model Number	Overall		Inside Bowl			Minimum Cabinet Size
	L	W	L	W	D	
ELUHF2520	25 (635mm)	20 1/2 (521mm)	21 (533mm)	15 3/4 (400mm)	7 7/8 (200mm)	

*Length is left to right. Width is front to back.

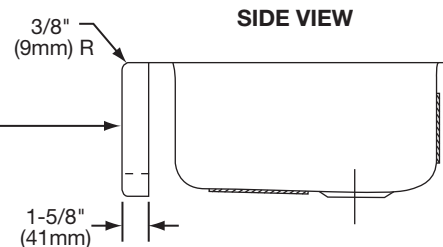
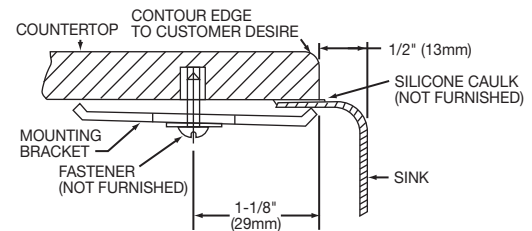


Model ELUHF2520



Installation Profile of ELUHF Single Bowl Model

Elkay recommends ELUHF sinks are installed with a 1/2" (13mm) reveal as shown.



In keeping with our policy of continuing product improvement, Elkay reserves the right to change product specifications without notice. Please visit elkayusa.com for most current version of Elkay product specification sheets.

This specification describes an Elkay product with design, quality and functional benefits to the user. When making a comparison of other producers' offerings, be certain these features are not overlooked.

Elkay

elkayusa.com

2222 Camden Court
Oak Brook, IL 60523

Printed in U.S.A.
©2008 Elkay

(Rev. 7/08) 1-143C