

ELKAY[®]

SPECIFICATIONS

Lustertone[®] Undermount Single Bowl Sink Model ELUHAD Series — A.D.A. Compliant

GENERAL

Highest quality sink formed of #18 gauge, type 304 (18-8) nickel bearing stainless steel.

DESIGN FEATURES

ELUHAD Bowl Depth: 4-1/2", 5" or 5-1/2"

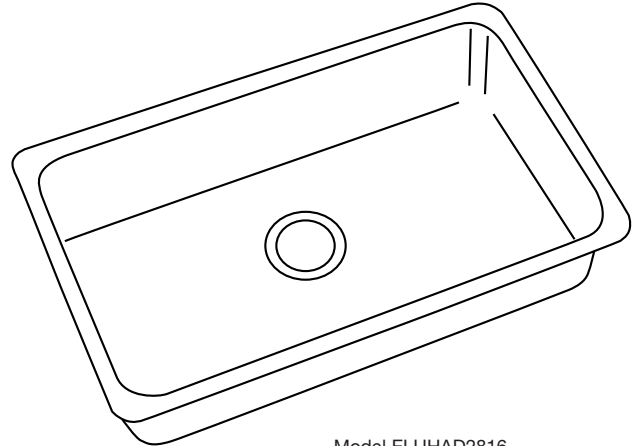
Finish: Exposed surfaces are hand blended to a lustrous highlighted satin finish with a highlighted inside top bowl radius.

Underside: Underside of sink is fully protected by heavy duty Sound Guard™ undercoating to prevent condensation and deaden sound.

OTHER

Drain Opening: 3-1/2".

Note: All Elkay undermount sinks are designed to affix easily to the underside of any solid surface countertop.



Model ELUHAD2816

SINK DIMENSIONS (INCHES)*

Model Number	Overall		Inside Each Bowl			Cutout in Countertop	Minimum Cabinet Size	Ship. Wt. Lbs.
	L	W	L	W	D			
ELUHAD1316	16	18 1/2	13 1/2	16	*	See Template**	21	11
ELUHAD1418	16 1/2	20 1/2	14	16	*		24	13
ELUHAD1616	18 1/2	18 1/2	16	16	*		24	14
ELUHAD2115	23 1/2	18 1/4	21	15 3/4	*		27	14
ELUHAD2816	30 1/2	18 1/2	28	16	*		36	19

*Available in 4-1/2", 5" or 5-1/2".

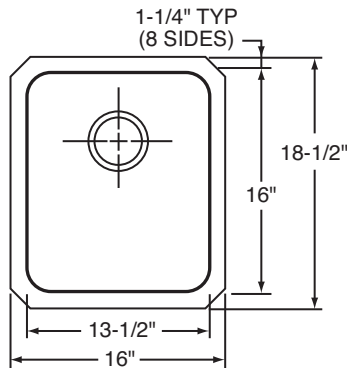
**Template and countertop mounting clips are packed with every sink.

SEE OTHER SIDE FOR PRODUCT DIMENSIONS.

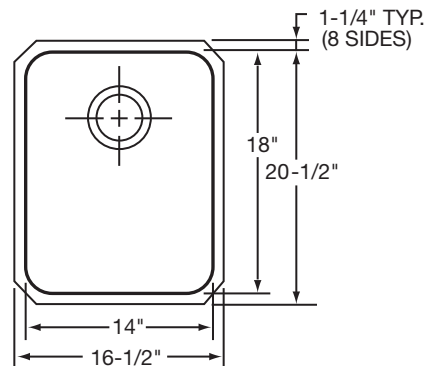
ALL DIMENSIONS IN INCHES, TO CONVERT TO MILLIMETERS MULTIPLY BY 25.4.

In keeping with our policy of continuing product improvement, Elkay reserves the right to change product specifications without notice.

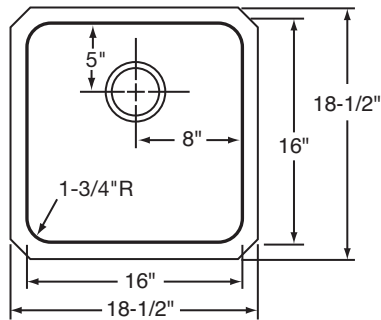
This specification describes an Elkay product with design, quality and functional benefits to the user. When making a comparison of other producers' offerings, be certain these features are not overlooked.



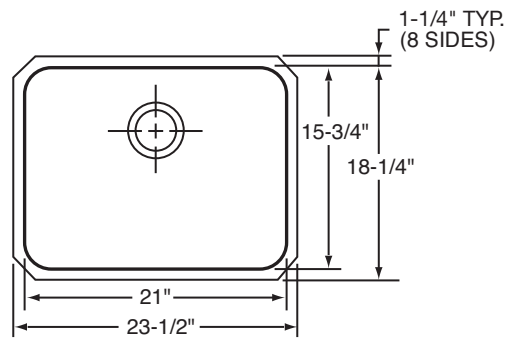
Model ELUHAD1316 Illustrated



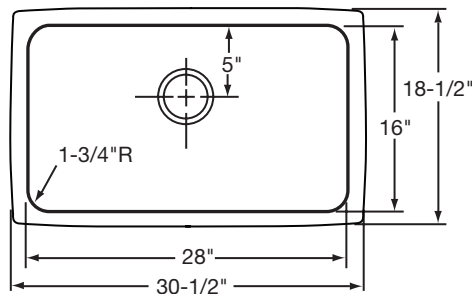
Model ELUHAD1418 Illustrated



Model ELUHAD1616 Illustrated



Model ELUHAD2115 Illustrated



Model ELUHAD2816 Illustrated

**Installation Profile of
ELUHAD Single Bowl Models**

The template provided with each ELUHAD sink provides the only type of installation recommended by Elkay.

