

# ELKAY® SPECIFICATIONS

## Gourmet® Undermount Double Bowl Sink Model ELUH3116

### GENERAL

Highest quality sink formed of #18 (1.2mm) gauge, type 304 (18-8) nickel bearing stainless steel. Undermount.

### DESIGN FEATURES

Bowl Depth: 7-1/2" (191mm).

Coved Corners: 1-3/4" (44mm) vertical and horizontal radius.

Finish: Exposed surfaces are hand blended to a lustrous satin finish.

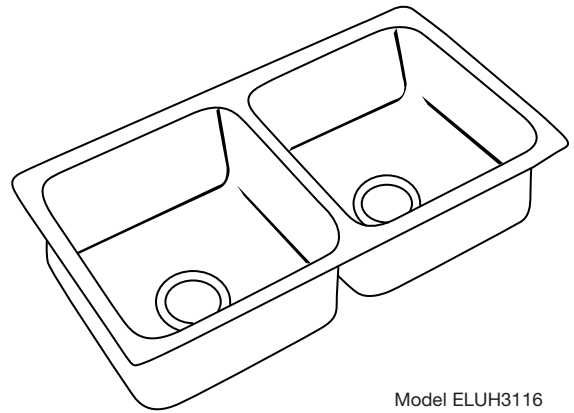
Underside: Underside of sink is fully protected by heavy duty Sound Guard™ undercoating to prevent condensation and dampen sound.

### OTHER

Drain Opening: 3-1/2" (89mm).

Note: All Elkay undermount sinks are designed to affix to the underside of any solid surface countertop.

This sink complies with Standards ASME A112.19.3 and CSA B45.4.



Model ELUH3116



This sink is listed by the International Association of Plumbing and Mechanical Officials as meeting the requirements of the Uniform Plumbing Code.

### OPTIONAL ACCESSORIES

Bottom Grid: LKWBG1414SS.

Cutting Boards: CB1613, CBR1418.

Drain: LK99.

Rinsing Basket: LKWRB1414SS.

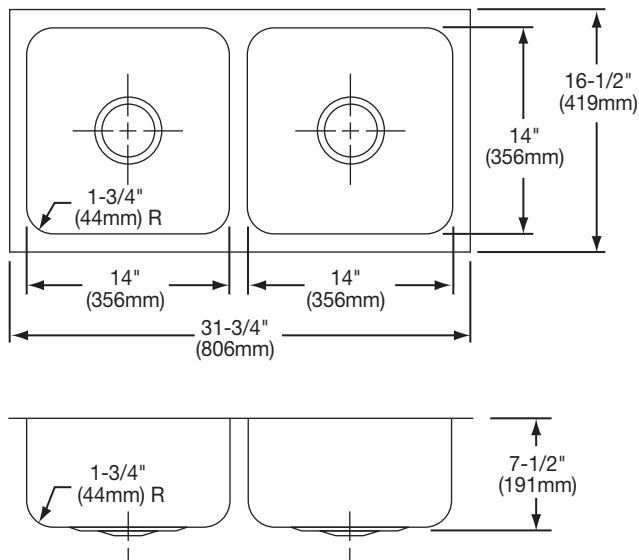
Utensil Caddy for Rinsing Basket: LKWUCSS.

### SINK DIMENSIONS\*

Model Number	Overall		Inside Each Bowl			Cutout in Countertop	Minimum Cabinet Size
	L	W	L	W	D		
ELUH3116	31 <sup>3</sup> / <sub>4</sub> (806mm)	16 <sup>1</sup> / <sub>2</sub> (419mm)	14 (356mm)	14 (356mm)	7 <sup>1</sup> / <sub>2</sub> (191mm)	See Template**	36 (914mm)

\*Length is left to right. Width is front to back.

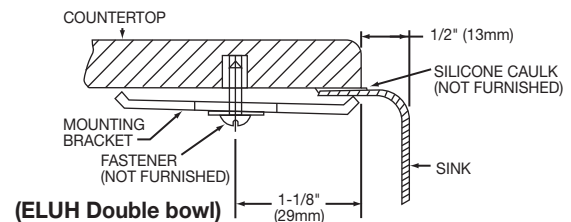
\*\*Template and countertop mounting clips are packed with every sink.



Model ELUH3116 Illustrated

### Installation Profile of ELUH Double Bowl Models

The template provided with each ELUH sink provides the only type of installation recommended by Elkay.



In keeping with our policy of continuing product improvement, Elkay reserves the right to change product specifications without notice. Please visit [elkayusa.com](http://elkayusa.com) for most current version of Elkay product specification sheets.

This specification describes an Elkay product with design, quality and functional benefits to the user. When making a comparison of other producers' offerings, be certain these features are not overlooked.

**Elkay**

[elkayusa.com](http://elkayusa.com)

2222 Camden Court  
Oak Brook, IL 60523

Printed in U.S.A.  
©2008 Elkay

(Rev. 6/08) 1-132D