

Lustertone® Sink-ette® Double Bowl Sink with Double Drainboard
Model ILR6622DD



SPECIFICATIONS

GENERAL

ILR6622DD drop-in sink-ette with drainboard on left and right of sink bowls. The ideal solution to where to place a hot pot! Highest quality Lustertone sink bowls and integral fan pitched drainboard seamlessly drawn of #18 gauge, type 304 (18-8) nickel bearing stainless steel. Self-rimming.

DESIGN FEATURES

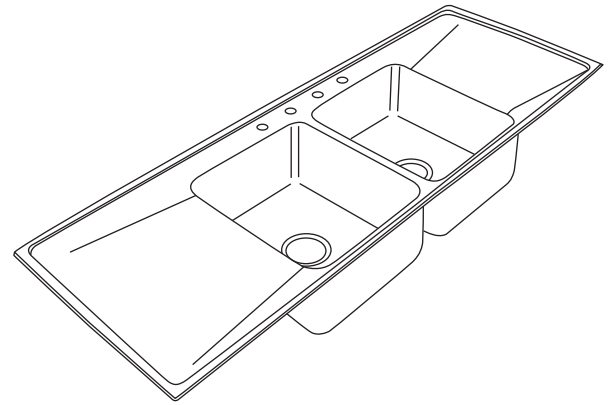
Bowl Depth: 7-5/8".
 Coved Corners: 1-3/4" radius.
 Finish: Exposed surfaces hand blended to lustrous highlighted Lustertone satin finish.
 Underside: Fully undercoated to prevent condensation and deaden sound.

OTHER

Drain Opening: 3-1/2".
 Note: Unless otherwise specified, sink is furnished with four faucet holes as illustrated.
 Recommended Minimum Sink Base: 36".

OPTIONAL ACCESSORIES

Rinsing Basket: LKRB1611 or LKERBSS.



Model ILR6622DD4

This sink complies with ANSI Standard A112.19.3M.

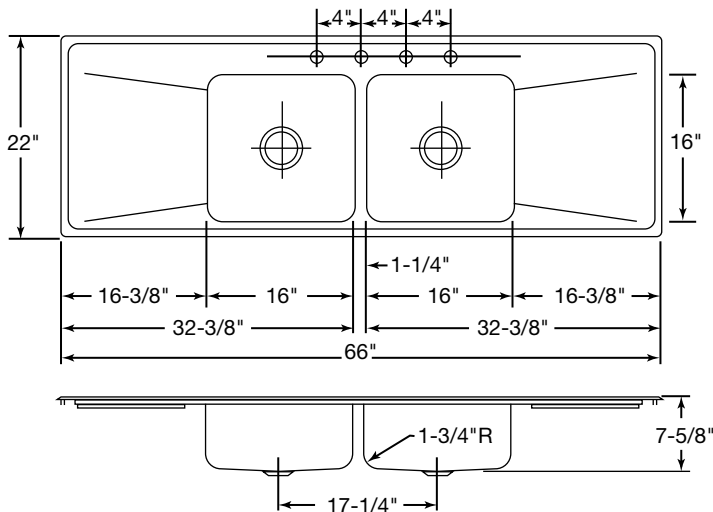


This sink is listed by the International Association of Plumbing and Mechanical Officials as meeting the requirements of the Uniform Plumbing Code.

SINK DIMENSIONS (INCHES)*

Model Number	Overall		Inside Each Bowl			Drain Board Length	Bowl Location	Cutout in Countertop (1 1/2" Radius Corners)		No. of 1 1/2" Dia. Faucet Holes	Ship. Wt. Lbs.
	L	W	L	W	D			L	W		
ILR6622DD	66	22	16	16	7 5/8	16 3/8	L & R	65 3/8	21 3/8	0, 1, 2, 3, 4 or 5	50

*Length is left to right. Width is front to back.



Model ILR6622DD4 Illustrated

ALL DIMENSIONS IN INCHES, TO CONVERT TO MILLIMETERS MULTIPLY BY 25.4.

In keeping with our policy of continuing product improvement, Elkay reserves the right to change product specifications without notice.

This specification describes an Elkay product with design, quality and functional benefits to the user. When making a comparison of other producers' offerings, be certain these features are not overlooked.