

ELKAY® SPECIFICATIONS

Push Lever Glass Filler Model LK109A

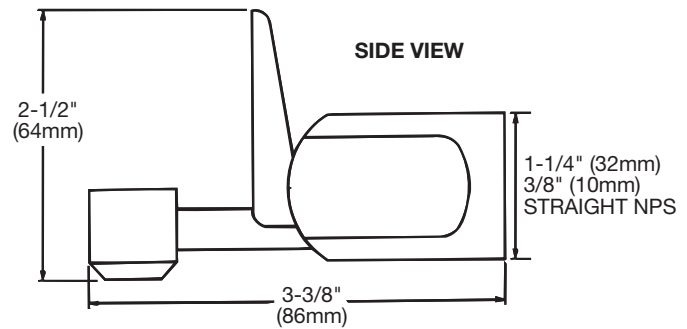
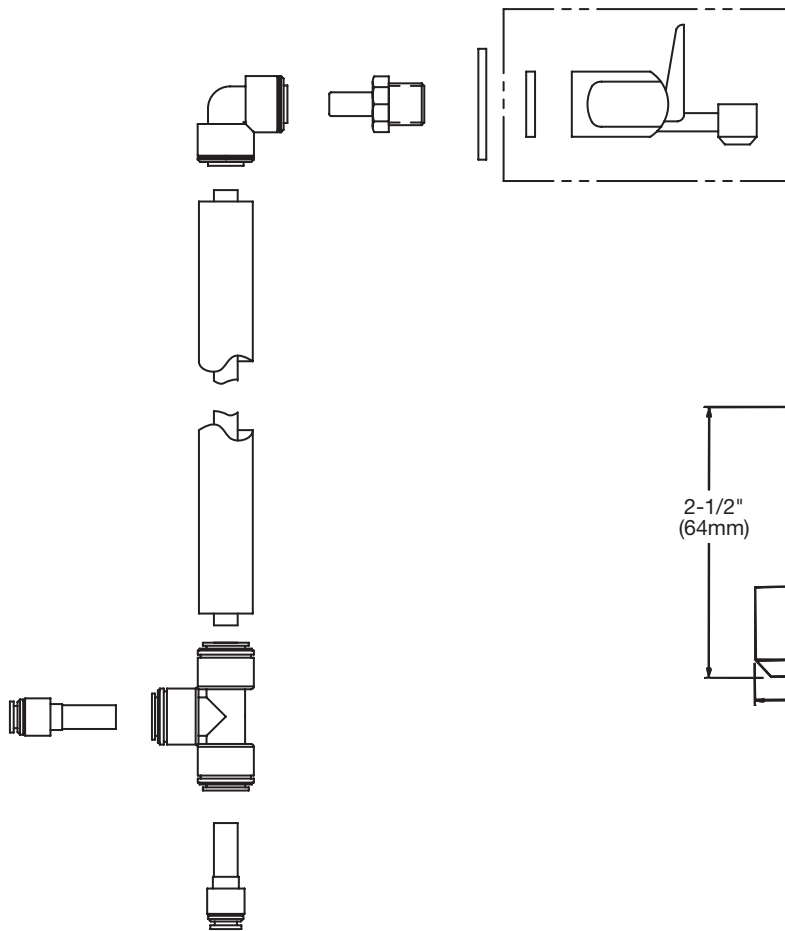
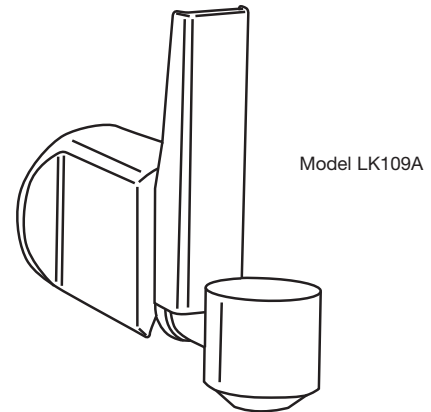
GENERAL

Cup and carafe filler for recessed water coolers and EHF Series. Factory installed only. Uses no lead-containing materials.

Note: When ordering with pressure cooler, glass filler LK109A glass filler is furnished completely installed. LK109A ordered with fountain includes supply tube.

FEATURES

- Bright polished stainless steel construction with push lever
- 3/8" (10mm) NPS supply
- 100% lead free
- Dimensions: 3-3/8" (86mm) overall length, 1-1/4" (32mm) overall width, and 2-1/2" (64mm) overall height
- Ship weight is 1 lb. (.5Kg)



In keeping with our policy of continuing product improvement, Elkay reserves the right to change product specifications without notice. Please visit elkayusa.com for most current version of Elkay product specification sheets.

This specification describes an Elkay product with design, quality and functional benefits to the user. When making a comparison of other producers' offerings, be certain these features are not overlooked.