

ELKAY® SPECIFICATIONS

Sink Accessories Drain Fitting Models LK8, LK9 and LK337

GENERAL

LK8

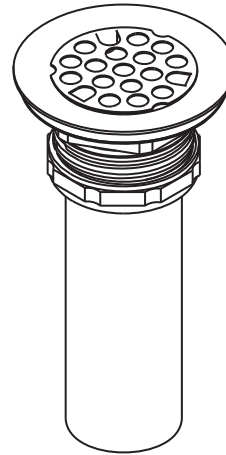
- Type 304 stainless steel body and grid strainer
- Fits 2" (51mm) opening
- Polished finish
- Type 304 stainless steel 1-1/2" (38mm) x 4" (102mm) tailpiece

LK9

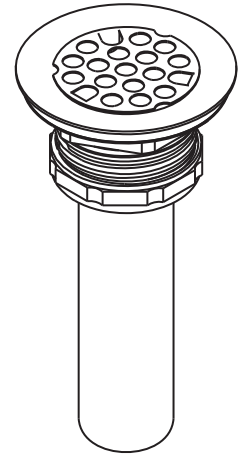
- Type 304 stainless steel body and grid strainer
- Fits 2" (51mm) opening
- Polished finish
- Nickel plated brass 1-1/4" (32mm) x 4" (102mm) tailpiece

LK337

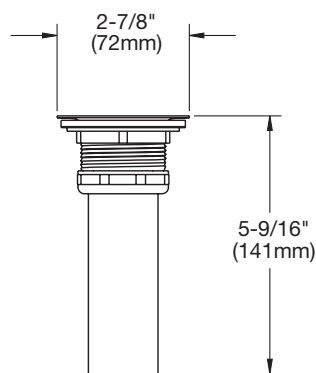
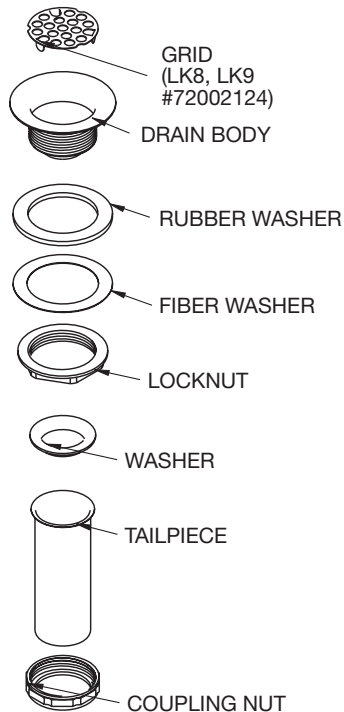
- Type 316 stainless steel body and grid strainer
- Fits 2" (51mm) opening
- Polished finish
- Type 316 stainless steel 1-1/2" (38mm) x 4" (102mm) tailpiece



Model LK8/LK337



Model LK9



Model LK8 Illustrated

In keeping with our policy of continuing product improvement, Elkay reserves the right to change product specifications without notice. Please visit elkayusa.com for most current version of Elkay product specification sheets.

This specification describes an Elkay product with design, quality and functional benefits to the user. When making a comparison of other producers' offerings, be certain these features are not overlooked.

Elkay

elkayusa.com

2222 Camden Court
Oak Brook, IL 60523

Printed in U.S.A.
©2008 Elkay

(Rev. 10/08)

15-11F