

# ELKAY<sup>®</sup>

## SPECIFICATIONS

### Lustertone<sup>®</sup> Undermount Double Bowl Sink Model ELUHAD Series — A.D.A. Compliant

#### GENERAL

Highest quality sink formed of #18 gauge, type 304 (18-8) nickel bearing stainless steel.

#### DESIGN FEATURES

ELUHAD Bowl Depth: 4-1/2", 5" or 5-1/2"

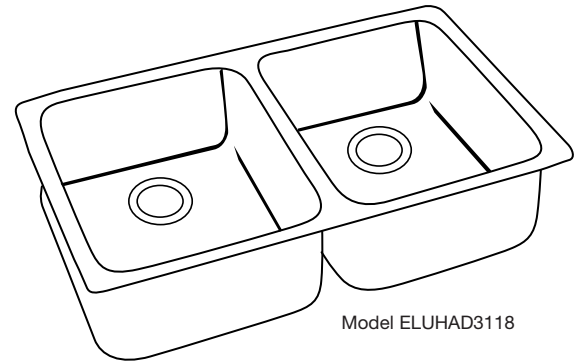
Finish: Exposed surfaces are hand blended to a lustrous highlighted satin finish with a highlighted top bowl radius.

Underside: Underside of sink is fully protected by heavy duty Sound Guard™ undercoating to prevent condensation and deaden sound.

#### OTHER

Drain Opening: 3-1/2".

Note: All Elkay undermount sinks are designed to affix easily to the underside of any solid surface countertop.



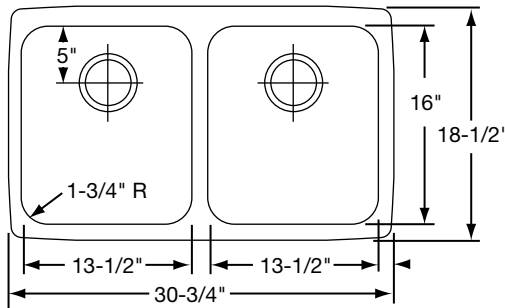
Model ELUHAD3118

#### SINK DIMENSIONS (INCHES)\*

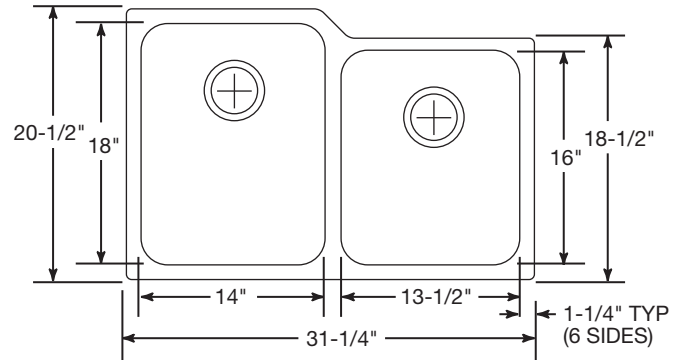
Model Number	Overall		Inside Left Bowl			Inside Right Bowl			Cutout in Countertop	Minimum Cabinet Size
	L	W	L	W	D	L	W	D		
ELUHAD3118	30 <sup>3</sup> / <sub>4</sub>	18 <sup>1</sup> / <sub>2</sub>	13 <sup>1</sup> / <sub>2</sub>	16	*	13 <sup>1</sup> / <sub>2</sub>	16	*	See Template**	36
ELUHAD3120R	31 <sup>1</sup> / <sub>4</sub>	20 <sup>1</sup> / <sub>2</sub>	14	18	*	13 <sup>1</sup> / <sub>2</sub>	16	*	See Template**	36

\*Available in 4-1/2", 5" or 5-1/2"

\*\*Template and countertop mounting clips are packed with every sink.



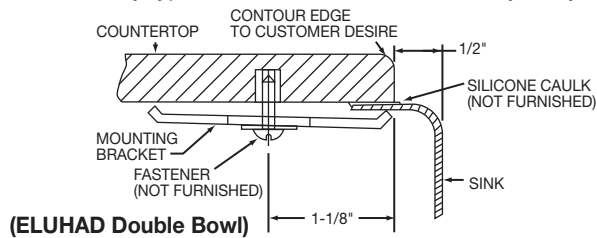
Model ELUHAD3118 Illustrated



Model ELUHAD3120R Illustrated

#### Installation Profile of ELUHAD Double Bowl Models

The template provided with each ELUHAD sink provides the only type of installation recommended by Elkay.



ALL DIMENSIONS IN INCHES, TO CONVERT TO MILLIMETERS MULTIPLY BY 25.4.

In keeping with our policy of continuing product improvement, Elkay reserves the right to change product specifications without notice.

This specification describes an Elkay product with design, quality and functional benefits to the user. When making a comparison of other producers' offerings, be certain these features are not overlooked.