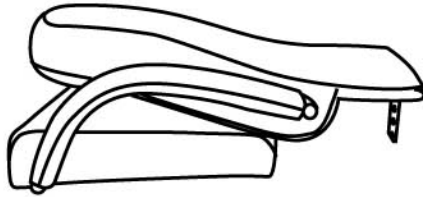


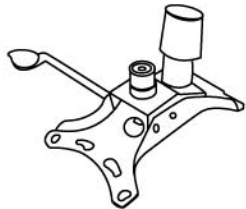
MODEL: B8376 Series B8901 Series B8911Series
 HS1090 1080 9701Series

(1)x1



Back & Seat W/ ARMS

(2)x1



Mechanism

(3)x1



Gas Lift W/ Cover

(4)x1

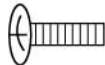


5-Star Base

**Customer Service Hotline:
 1-800-593-1888**

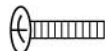
**Please unscrew all screws from the bottom
 of seat cushion before assembly.**

(A)*4PCS



M8 * 22

(B)*4PCS



M6 * 30

(C)*4PCS

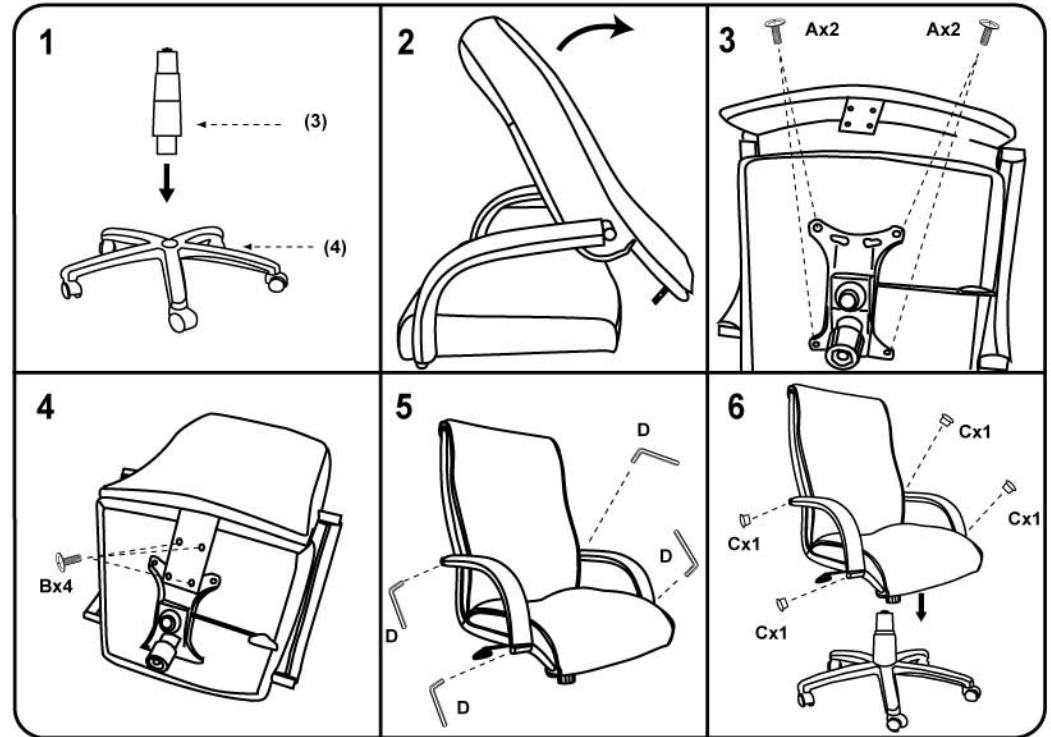


ARM CAP

(D)*1PC



ALLEN KEY



Note: Please tighten all arm screws using allen key before step 6

It is important to assemble all parts so that the directional "Arrows" point in the same direction. Make certain that all screws are FULLY tightened before using the chair. Each month, check all screws and tighten any that may have loosened.

Warning: Do not stand on the seat

**For further assembly instructions,
 please visit our web site at
 www.bosschair.com**