

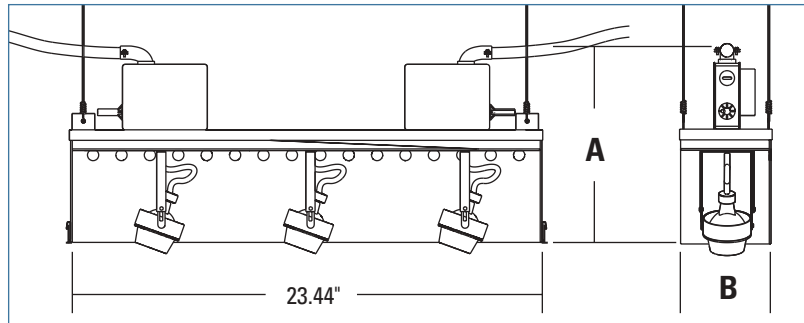
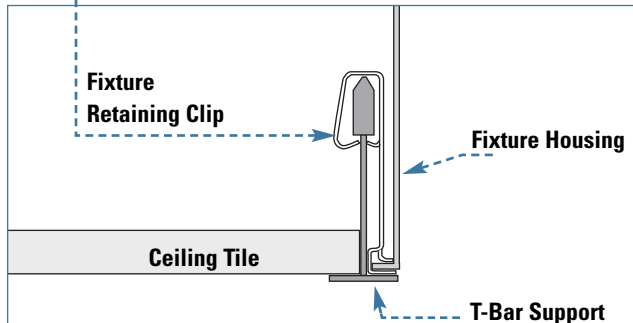
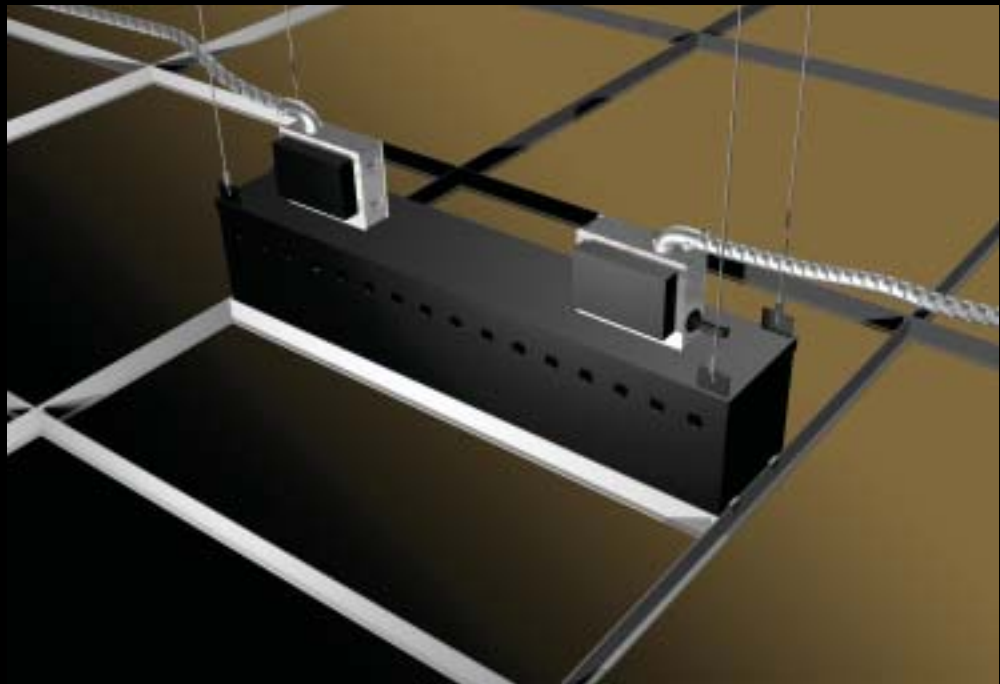
# **COMBOLIGHT Grid Ceiling (GR) Series**

---

# COMBOLIGHT® GR Series

## Recessed Fixture for Grid Ceiling

- Specially suited for lay-in, t-bar grid style ceilings
- Two, Three and Four Light Square configurations in Low Voltage MR16, Line Voltage PAR30 and Metal Halide PAR30
- Electrical J-Box and Transformers or Ballasts located on housing with easy below-ceiling access
- Low voltage models offered with electronic transformer with fuse and short circuit protection
- Metal Halide models offered with Aromat® ballasts
- Includes four support clips for mounting to t-bar supports



3 Light 12 Volt MR16

4 Light Square PAR30 Metal Halide



# Grid Ceiling Mount w/ Open Housing

## GRID CEILING FIXTURE

Catalog #	Description
<b>LOW VOLTAGE MR16</b>	
GR21650	(2) Two Light 12V 50W MR16
GR31650	(3) Three Light 12V 50W MR16
GR41650	(4) Four Light Square 12V 50W MR16
<b>LINE VOLTAGE PAR30</b>	
GR21675	(2) Two Light 12V 75W MR16
GR31675	(3) Three Light 12V 75W MR16
GR41675	(4) Four Light Square 12V 75W MR16
<b>METAL HALIDE PAR30</b>	
GR230	(2) Two Light 120V PAR30
GR330	(3) Three Light 120V PAR30
GR430	(4) Four Light Square 120V PAR30
<b>METAL HALIDE PAR30</b>	
GR230MH39	(2) Two Light 39W PAR30MH
GR330MH39	(3) Three Light 39W PAR30MH
GR430MH39	(4) Four Light Square 39W PAR30MH
GR230MH70	(2) Two Light 70W PAR30MH
GR330MH70	(3) Three Light 70W PAR30MH
GR430MH70	(4) Four Light Square 70W PAR30MH

Catalog #	Description
BK	Black
WH	White
PT	Custom Color (Specify)

Catalog #	Description
120	120 Volts (Standard)
277	277 Volts
Line Voltage PAR30 Models available for 120 Volts only.	

### Optional Accessories - See page 216 for details.

			
Baffle	Snoots	Louvers	Lenses

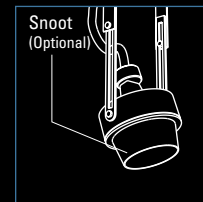
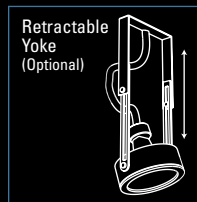
### Ordering Example

FIXTURE TYPE	INTERIOR	VOLTAGE
GR31650	BK	120

Three Light GR Series Grid Fixture, Black Interior, 12 Volt 50 Watt MR16, 120 Volts

Fixture Configuration	A Height	B Width
MR16 2 Light	10.15"	3.95"
MR16 3 Light	10.15"	3.95"
MR16 4 Light Square	10.15"	23.44"
PAR30 / PAR30MH 2 Light	11.97"	8.01"
PAR30 / PAR30MH 3 Light	11.97"	8.01"
PAR30 / PAR30MH 4 Light Square	11.97"	23.44"

### 3 Light PAR30 Metal Halide



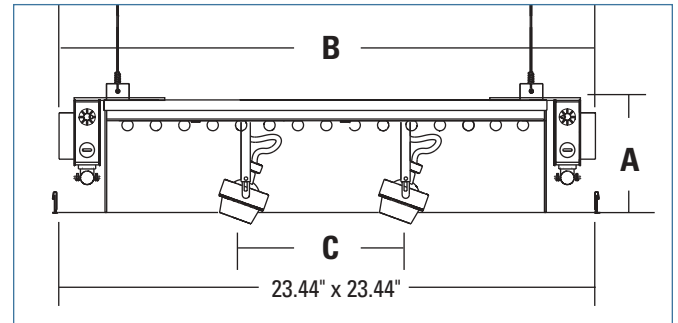
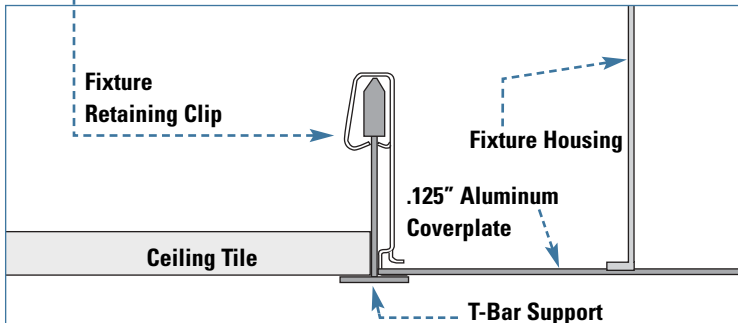
# COMBOLIGHT® GRF Series

## Recessed Fixture for Grid Ceiling w/ Covered Opening

- Specially suited for lay-in, t-bar 2 x 2 grid style ceilings
- 2 x 2 Four Light Square configurations in Low Voltage MR16 & AR111, Line Voltage PAR20 & PAR30 and Metal Halide PAR20 & PAR30
- Electrical J-Box and Transformers or Ballasts located on housing with easy below-ceiling access
- Low voltage models offered with electronic transformer with fuse and short circuit protection
- Metal Halide models offered with Aromat® ballasts
- Includes four support clips for mounting to t-bar supports



4 Light Square 12 Volt AR111



4 Light Square 12 Volt MR16

4 Light Square PAR30 Metal Halide



# Grid Ceiling Mount w/ Covered Housing Opening

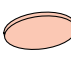
## 2 X 2 GRID CEILING FIXTURE

Fixture Type	Catalog #	Description
1	<b>LOW VOLTAGE MR16</b>	
	GRF41650	(4) Four Light Square 12V 50W MR16
	GRF41675	(4) Four Light Square 12V 75W MR16
	<b>LOW VOLTAGE AR111</b>	
	GRF411135	(4) Four Light Square 12V 35W AR111
	GRF411150	(4) Four Light Square 12V 50W AR111
	GRF411175	(4) Four Light Square 12V 75W AR111
	GRF4111100	(4) Four Light Square 12V 100W AR111
	<b>LINE VOLTAGE PAR20</b>	
	GRF420	(4) Four Light Square 120V PAR20
	<b>LINE VOLTAGE PAR30</b>	
	GRF430	(4) Four Light Square 120V PAR30
<b>METAL HALIDE PAR20</b>		
GRF420MH39	(4) Four Light Square 39W PAR20MH	
<b>METAL HALIDE PAR30</b>		
GRF430MH39	(4) Four Light Square 39W PAR30MH	
GR430MH70	(4) Four Light Square 70W PAR30MH	

Finish	Catalog #	Description
2	BK	Black
	WH	White
	S	Industrial Silver
	PT	Custom Color (Specify)
		For Coverplate and Double Gimbals

Voltage	Catalog #	Description
3	120	120 Volts (Standard)
	277	277 Volts
		Line Voltage PAR30 Models available for 120 Volts only.

### Optional Accessories - See page 216 for details.

			
Baffle	Snoots	Louvers	Lenses

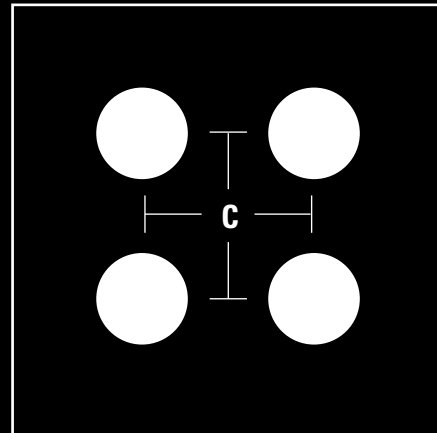
### Ordering Example

Fixture Type	Interior	Voltage
GRF41650	WH	120

Four Light GRF Series Grid Fixture, White Finish, 12 Volt 50 Watt MR16, 120 Volts

Fixture Configuration	A Height	B Above Ceiling Width	C Lamp Spacing
MR16 2 x 2 - 4 Light	8.50"	17.50" x 24.00"	6.59" x 6.59"
AR111 2 x 2 - 4 Light	8.50"	17.50" x 24.00"	7.75" x 7.75"
PAR20 / PAR20MH 2 x 2 - 4 Light	8.50"	17.50" x 24.00"	7.24" x 7.24"
PAR30 / PAR30MH 2 x 2 - 4 Light	8.50"	17.50" x 24.00"	7.21" x 7.21"

Lamps are spaced in equal distances from each other and centered on the panel. See chart above for exact lamp spacing.



Double Gimbal

