



**EFCO Quick Set™ System • Thermal and Non-Thermal Storefront Ribbon System**  
**901 - 2" x 4 1/2" • 902 - 2" x 5 1/4" • 903 - 2 1/4" x 3 1/4" • 904 - 2" x 4"**

Manufacturer  
 Of  
 Architectural  
 And  
 Commercial  
 Grade  
 Windows,  
 Curtain Walls,  
 Entrances,  
 And  
 Storefronts

**Configurations** Captured Vertical Mullions • Structural Glazed Vertical Mullions

The Quick Set family provides the solution for an economical ribbon storefront system to fit a wide variety of applications. Since it utilizes stick construction, labor costs and installation times are lower. Quick Set is available in thermal and non-thermal framing and various system depths. All EFCO entrances are compatible with Quick Set Systems.

**Features**

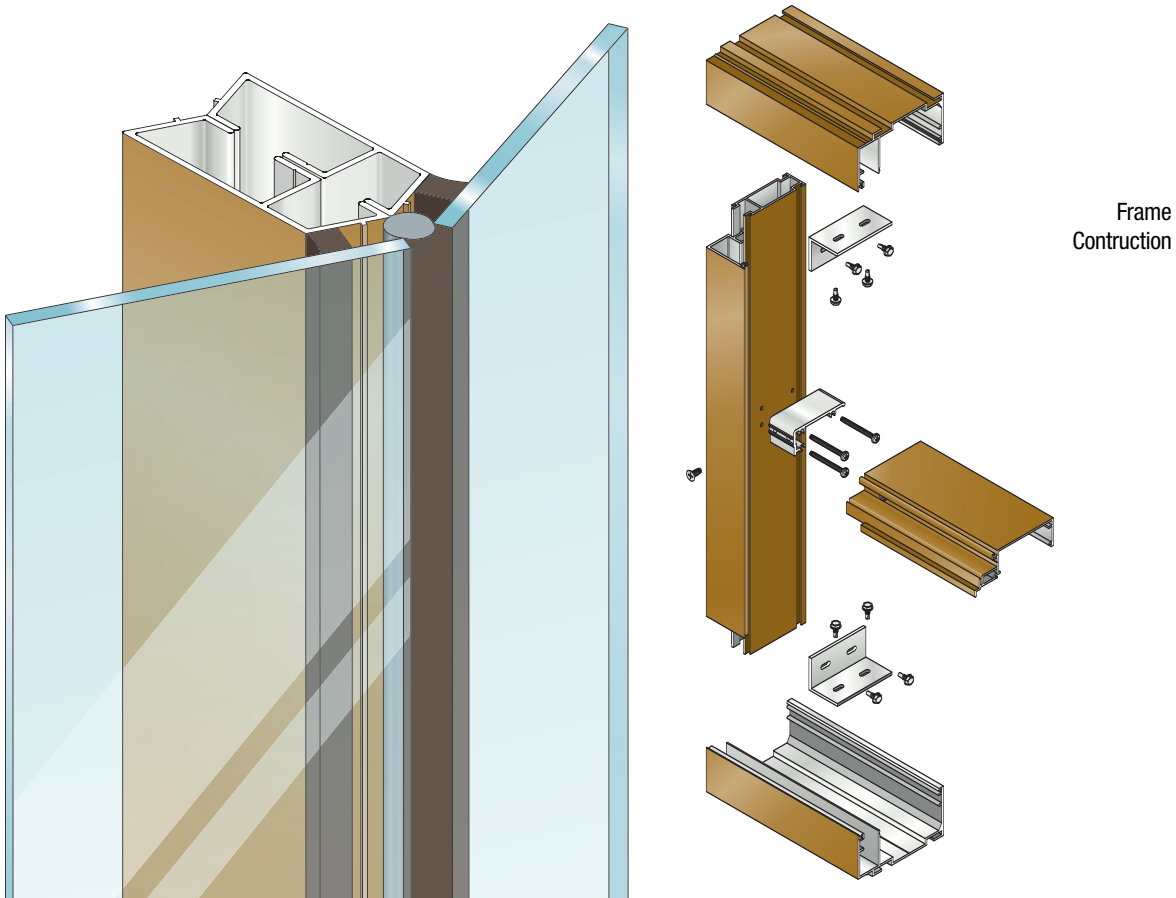
**Benefits**

Interlocking can system	Facilitates rapid installation
Intermediate verticals locked in place with horizontal covers	Mechanical fasteners are not needed
Structural/Butt glaze mullions	Seamless face
Optional face cap	Provides ribbon wall appearance Individual interior and exterior finish capability
Door framing members	Compatible with all 1 3/4" EFCO doors Contact EFCO Applications Department for 2" Doors
45°, 90°, and 135° corner mullions	Accommodates multifaceted elevations
Accommodates up to 1 1/8" glazing	Flexibility in design requirements for glazing
EPDM glazing gasket	Dry glazed
Accessory line of pocket fillers, vent adaptors, etc.	Increased product versatility
Anodized or painted finishes available	Unlimited options to answer economic and aesthetic concerns



# EFCO Quick Set™ System • Thermal and Non-Thermal Storefront Ribbon System

901 - 2" x 4 1/2" • 902 - 2" x 5 1/4" • 903 - 2 1/4" x 3 1/4" • 904 - 2" x 4"



### Performance Data

System 901 Quick Set™	
Air Infiltration	<.06 cfm/sf @ 6.24 psf
Water	No Leakage @ 12.0 psf
Structural	See wind load charts

System 903 Quick Set™	
Air Infiltration	<.06 cfm/sf @ 6.24 psf
Water	No Leakage @ 10.0 psf
Structural	See wind load charts

A = Estimated values and/or designations  
 B = Non-standard size or configuration  
 C = Dual glazed  
 D = 1" Insulated - 1/4" clear, 1/2" air, 1/4" clear  
 E = 1" Insulated - 1/4" clear (Low Emissivity), 1/2" air, 1/4" clear  
 F = 1" Insulated - 1/4" clear (Low Emissivity), 1/2" argon, 1/4" clear  
 G = 1" Insulated - 1/4" clear, 1/2" air, 1/4" clear (Low Emissivity)

System 902 Quick Set™	
Air Infiltration	<.06 cfm/sf @ 6.24 psf
Water	No Leakage @ 12.0 psf
Structural	See wind load charts
CRF Frame (1503-98)	71 <sup>E</sup>
CRF-Glass (1503-98)	71 <sup>E</sup>
U-Value (1503-98)	.43 <sup>F</sup>
U-Value (NFRC-102)	.41 <sup>F</sup>

System 904 Quick Set™	
Air Infiltration	<.06 cfm/sf @ 6.24 psf
Water	No Leakage @ 10.0 psf
Structural	See wind load charts
CRF-Frame (1503.1)	68 <sup>F</sup>
CRF-Glass (1503.1)	58 <sup>F</sup>
U-Value (1503.1)	.58 <sup>F</sup>

### Glazing

Quick Set™ can be inside or outside glazed. Glass is "dry glazed" with a top load EPDM gasket. Vertical mullions are butt glazed with structural silicone to achieve a minimal sight line. System 901 accommodates 3/16" to 5/16" infill panels. See Glazing Chart below for exact size.

System 901 & 903 Quick Set™ Glazing Chart	Polycarbonate			Glass or Panel												
	3/16"	1/4"	5/16"	3/16"	1/4"	1/4"***	5/16"	7/16"	1/2"	9/16"	5/8"	3/4"	7/8"	15/16"	1"	1-1/16"
Monolithic Glass	C	A	C	C	A	A	C									
Insulated Glass																

System 902 & 904 Quick Set™ Glazing Chart	Polycarbonate			Glass or Panel												
	3/16"	1/4"	5/16"	3/16"	1/4"	1/4"***	5/16"	7/16"	1/2"	9/16"	5/8"	3/4"	7/8"	15/16"	1"	1-1/16"
Monolithic Glass	C	C	C	C	C	C	C		C							
Insulated Glass												C	C	C	A	C

\*\* - Laminated Glass Thickness  
 A - Available Glazing Option  
 C - Adaptor and/or gasket required  
 blank - N/A

**EFCO Quick Set™ System • Thermal and Non-Thermal Storefront Ribbon System**  
**901 - 2" x 4 1/2" • 902 - 2" x 5 1/4" • 903 - 2 1/4" x 3 1/4" • 904 - 2" x 4"**



**Frame Construction**

Quick Set™ frames have various frame depths. Members are extruded from 6063-T6 aluminum alloy and the nominal material wall thickness is .080". Mullions are captured in the head and sill can receptors or channels without the need for mechanical fasteners. Intermediate horizontals join mullions utilizing shear block construction. See Illustration 1.

**Door Frames**

Quick Set offers integral door frames in shear block construction. Members are nominally .080" in thickness.

**Weather Stripping**

All entrance frames are weather-stripped with EPDM bulb gasket.

**Glazing**

Quick Set can be inside or outside glazed. Glass is "dry glazed" with a top load EPDM gasket. Vertical mullions are butt glazed with structural silicone to achieve a minimal sight line. See Glazing Chart for exact size.

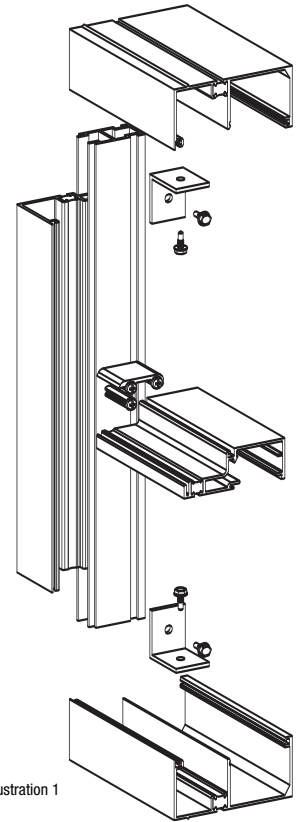
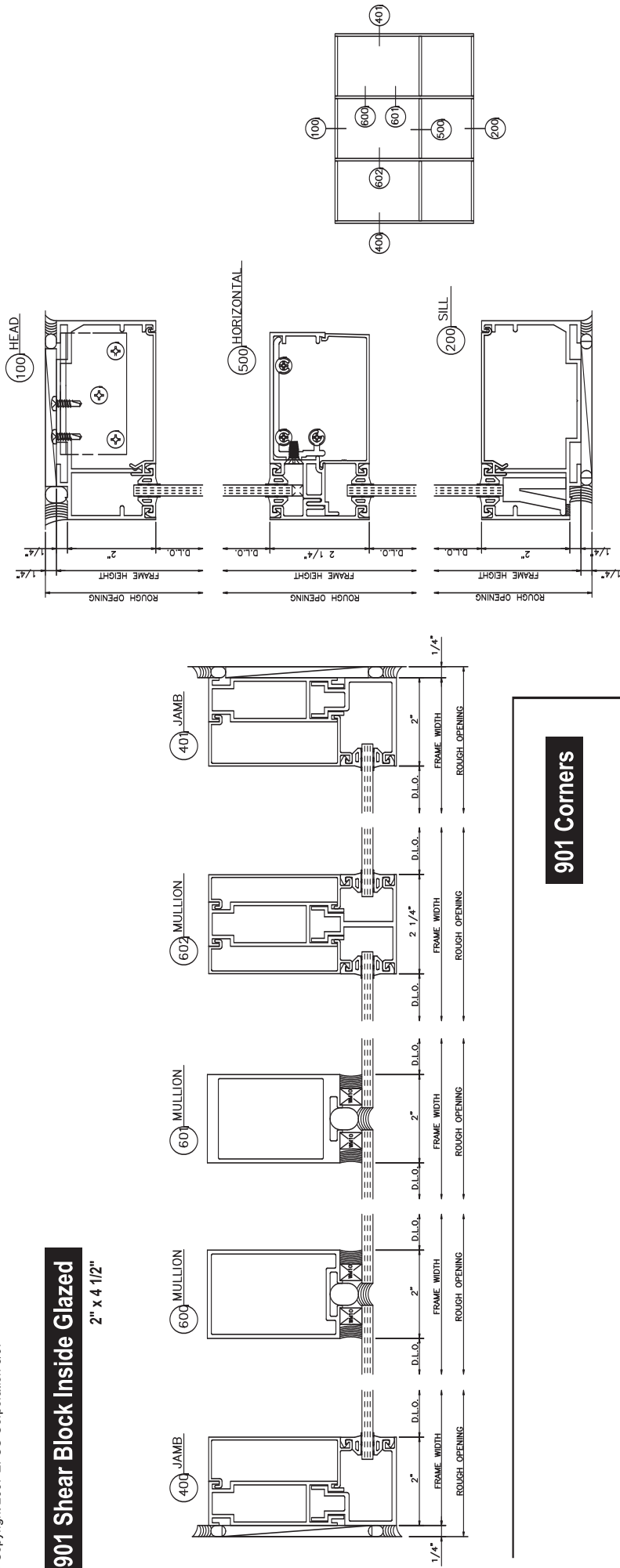


Illustration 1

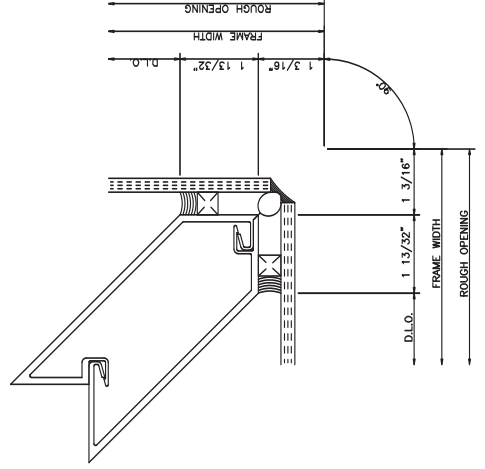
# 901 Shear Block Inside Glazed

2" x 4 1/2"

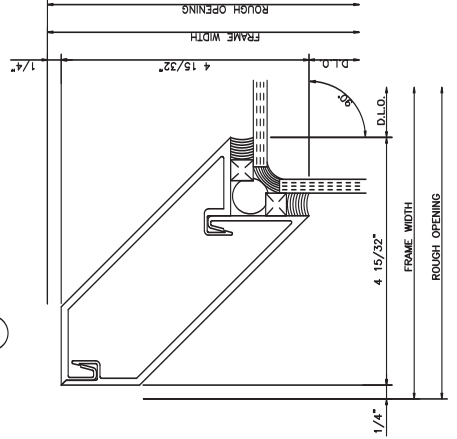


## 901 Corners

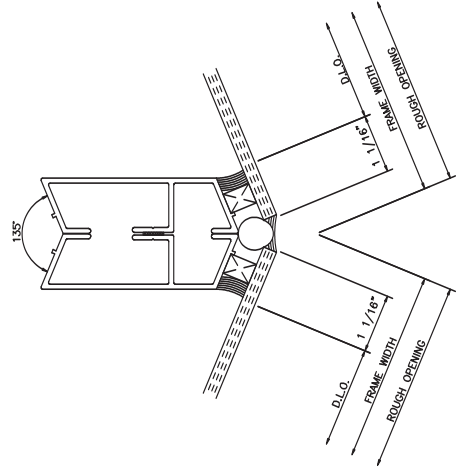
701 90° OUTSIDE CORNER



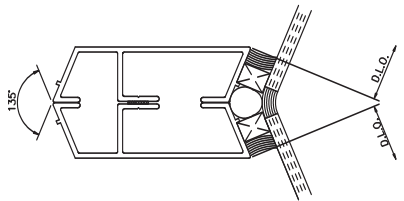
700 90° INSIDE CORNER



703 135° OUTSIDE CORNER



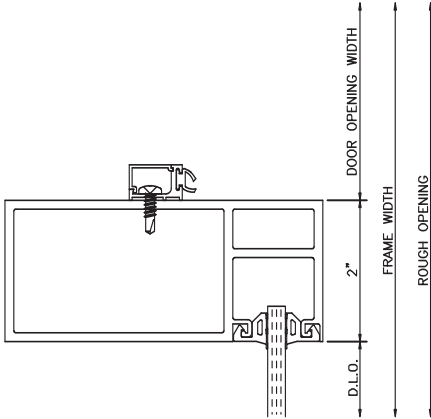
702 135° INSIDE CORNER



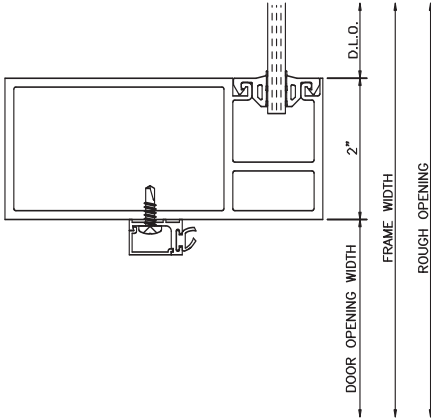
## 901 Door Frames Inside Glazed

Single Acting • Right Swing

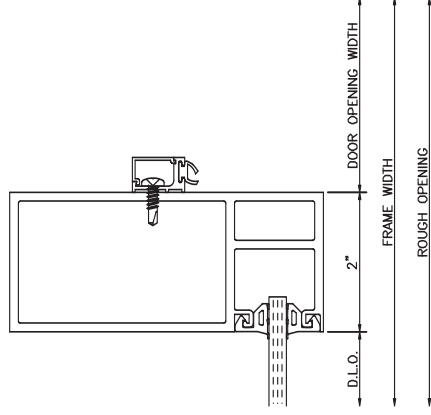
803 DOOR JAMB



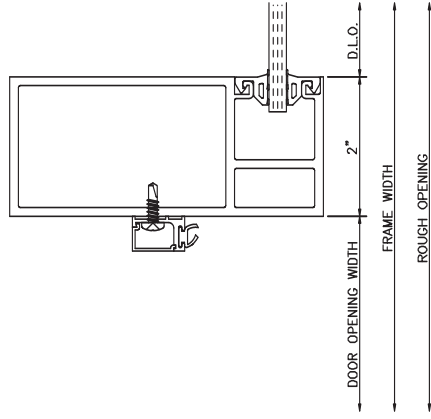
815 DOOR JAMB



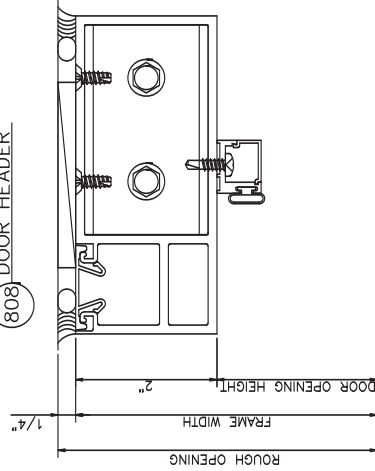
803 DOOR JAMB



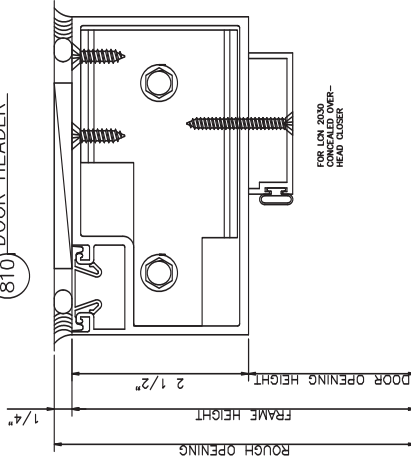
815 DOOR JAMB



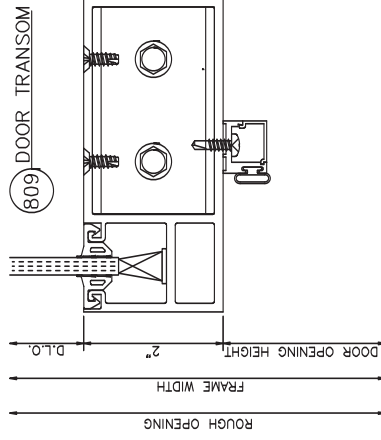
808 DOOR HEADER



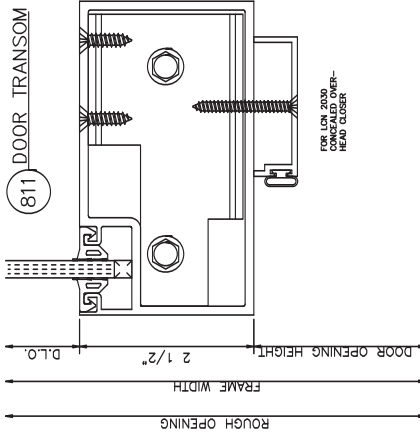
810 DOOR HEADER



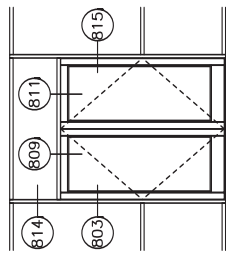
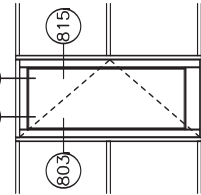
809 DOOR TRANSOM



811 DOOR TRANSOM



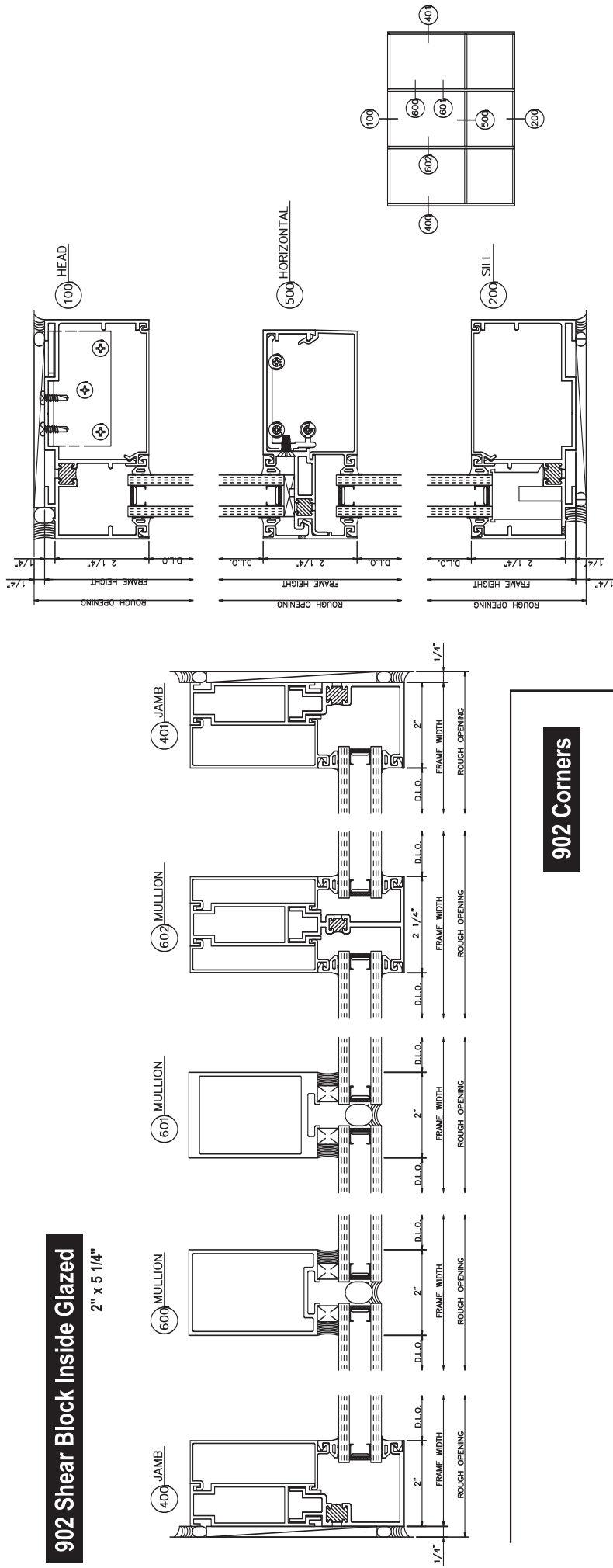
808 810



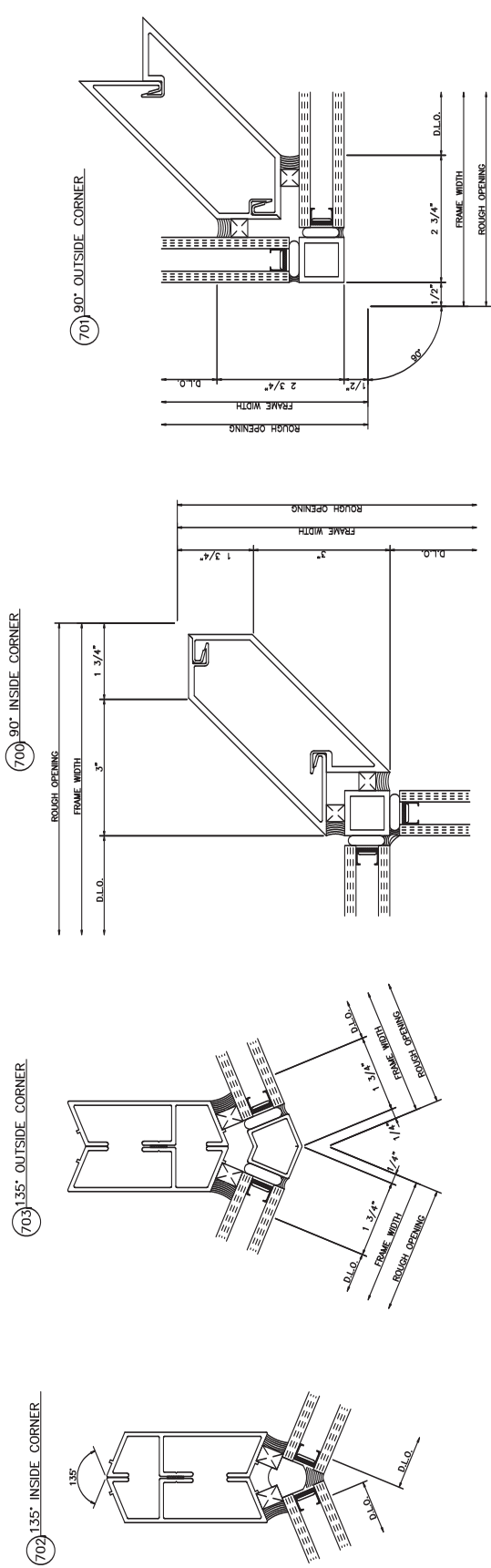
FOR LON 2030  
CONCEALED OVER-  
HEAD CLOSER

FOR LON 2030  
CONCEALED OVER-  
HEAD CLOSER

**902 Shear Block Inside Glazed**  
2" x 5 1/4"



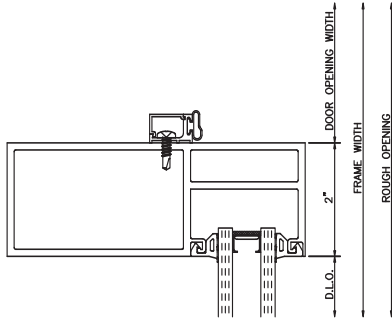
**902 Corners**



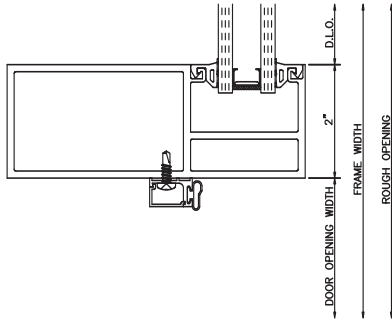
## 902 Door Frames Inside Glazed

2" x 5 1/4" Single Acting • Right Swing

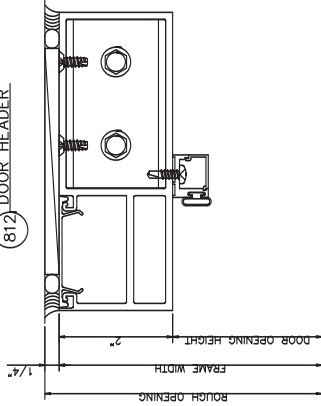
805 DOOR JAMB



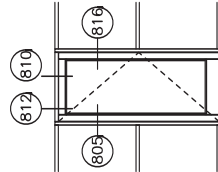
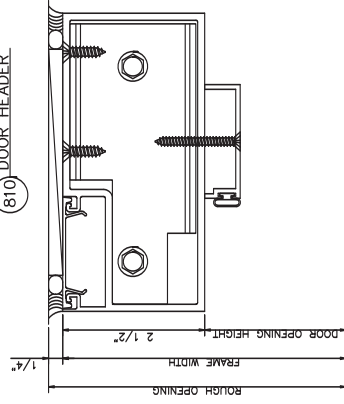
816 DOOR JAMB



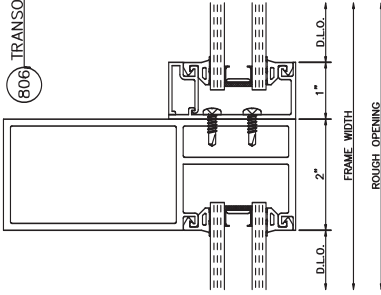
812 DOOR HEADER



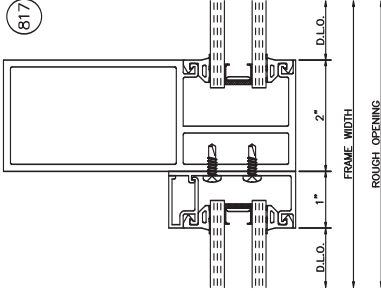
810 DOOR HEADER



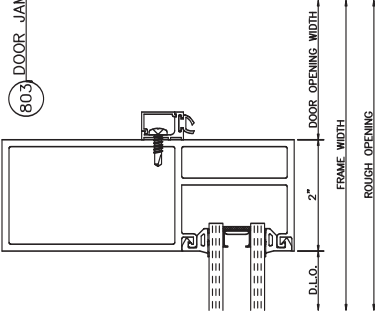
806 TRANSOM JAMB



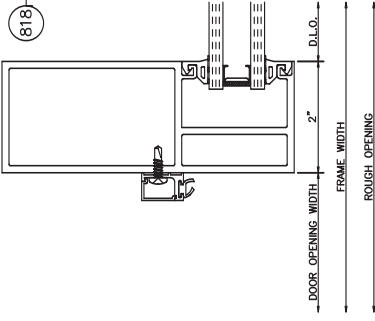
817 TRANSOM JAMB



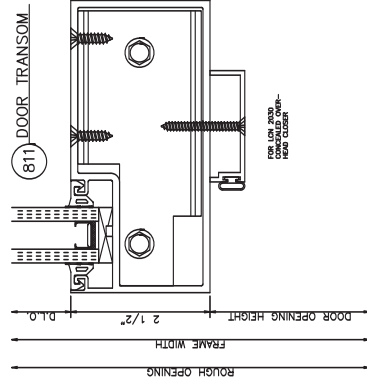
803 DOOR JAMB



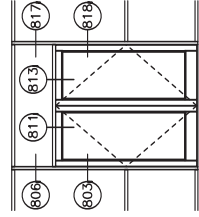
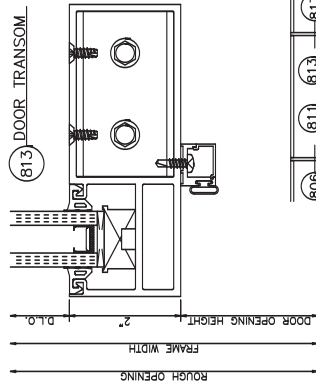
818 DOOR JAMB



811 DOOR TRANSOM

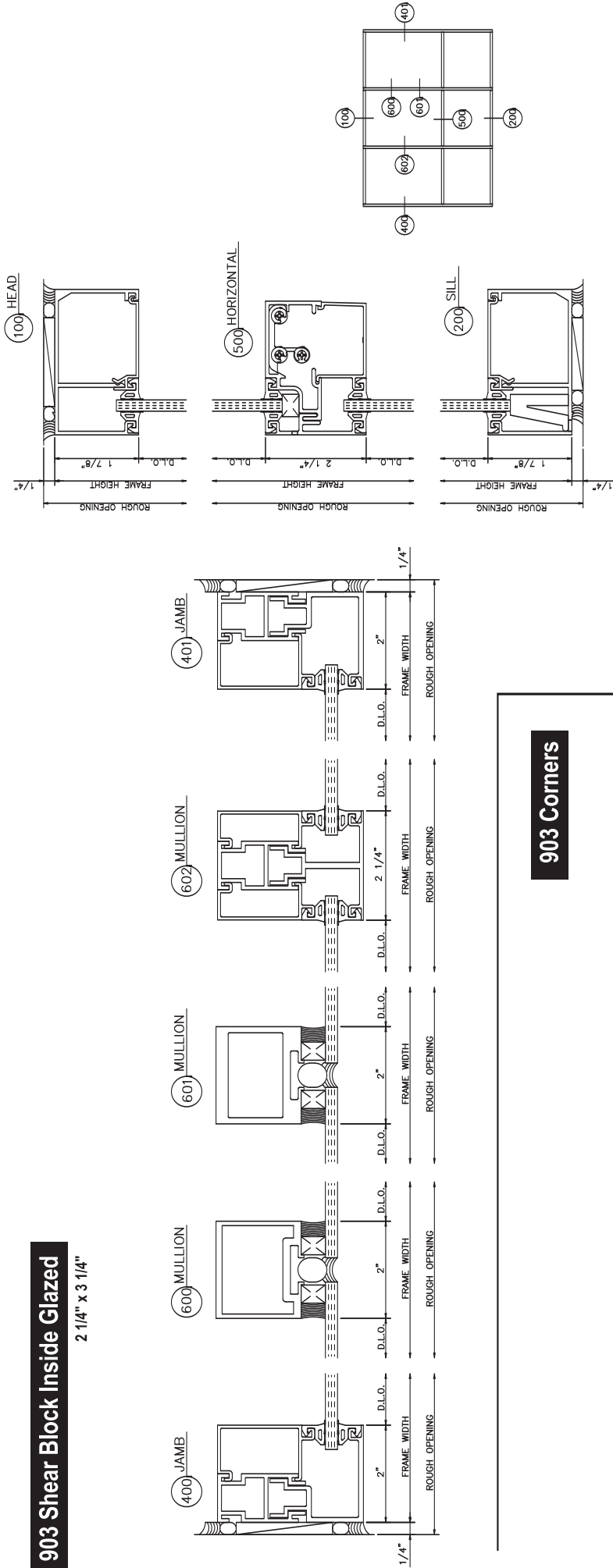


813 DOOR TRANSOM

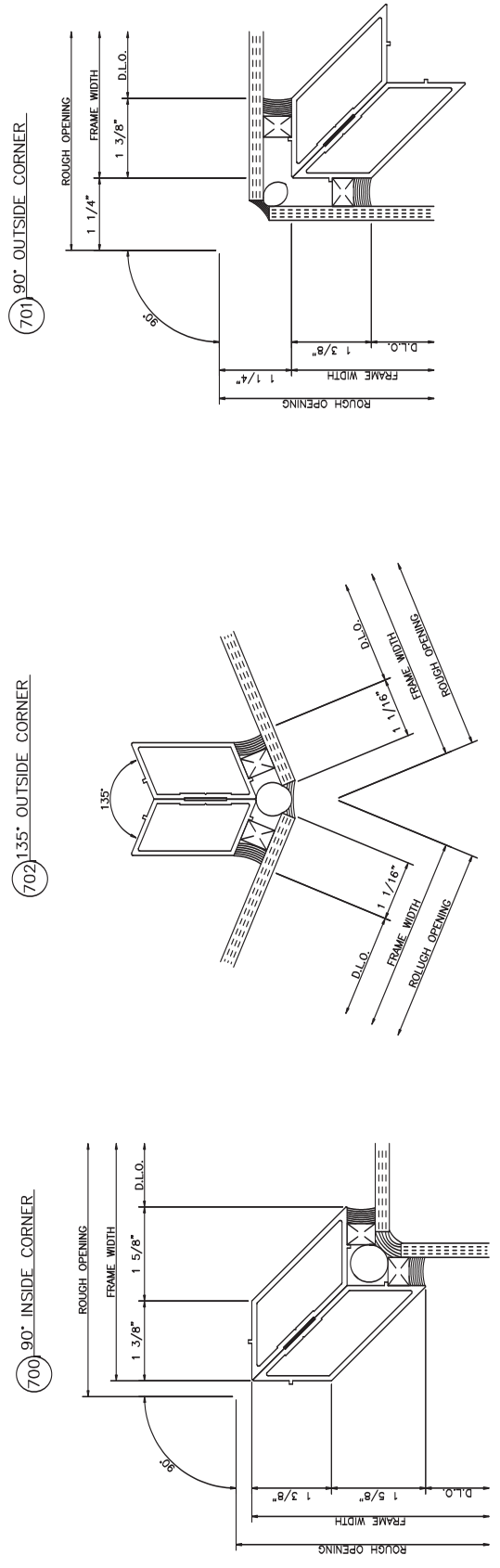


**903 Shear Block Inside Glazed**

2 1/4" x 3 1/4"



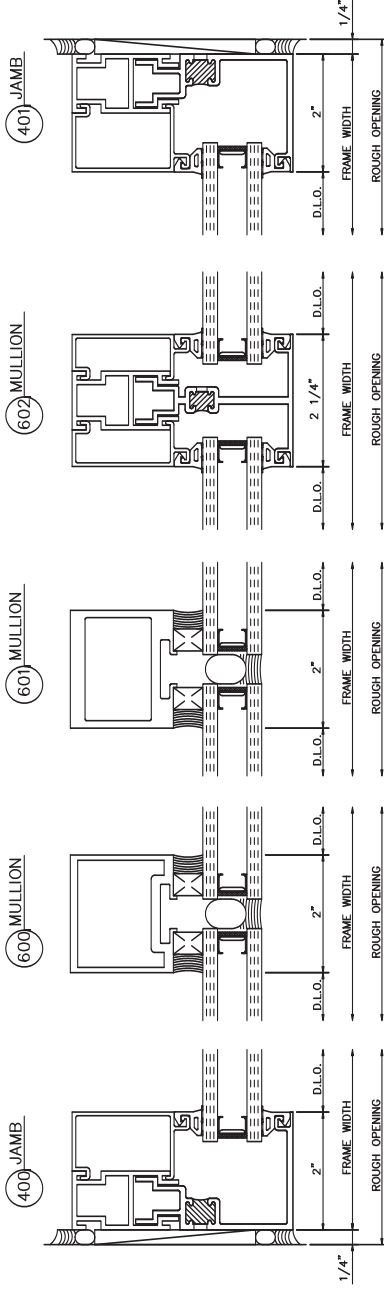
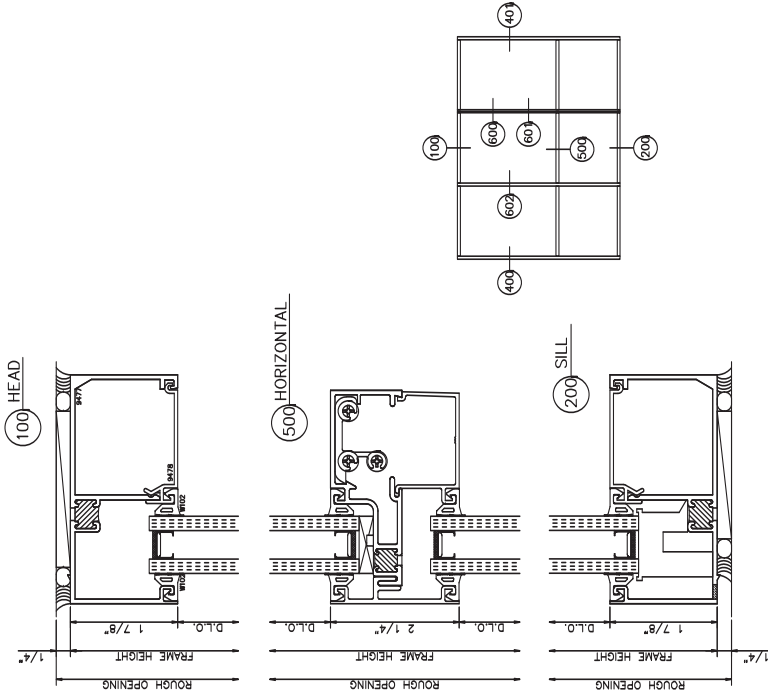
**903 Corners**





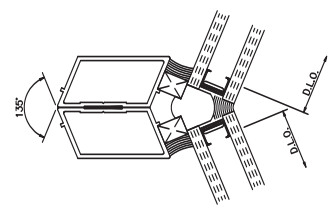
# 904 Shear Block Inside Glazed

2" x 4"

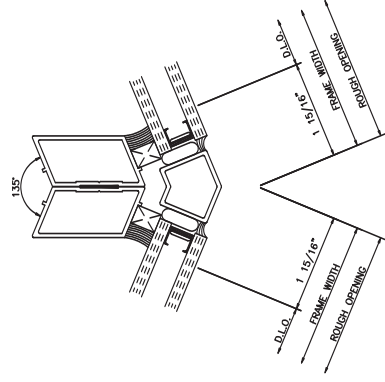


## 904 Corners

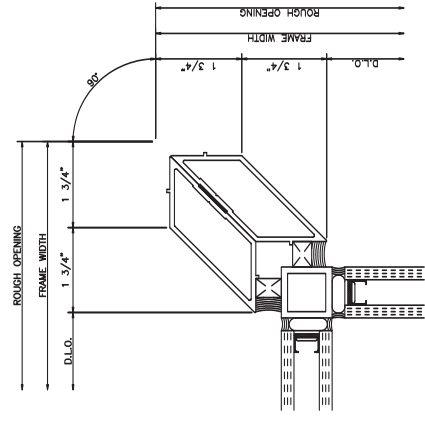
702 135° INSIDE CORNER



703 135° OUTSIDE CORNER



700 90° INSIDE CORNER



701 90° OUTSIDE CORNER

