



System WV410 Storefront Window System

Manufacturer
Of
Architectural
And
Commercial
Grade
Windows,
Curtain Walls,
Entrances,
And
Storefronts

Configurations Project-out • Casement-out

The WV410 storefront vent system is designed to be field glazed and installed with a minimal amount of labor. These vents are offered in two configurations: out-swing casements and project-out vents. Although the WV410 vent is designed to complement the flush glazed storefront, it may be glazed into any framing system with a flush surface opening and minimum frame depth of 3 7/16".

Features

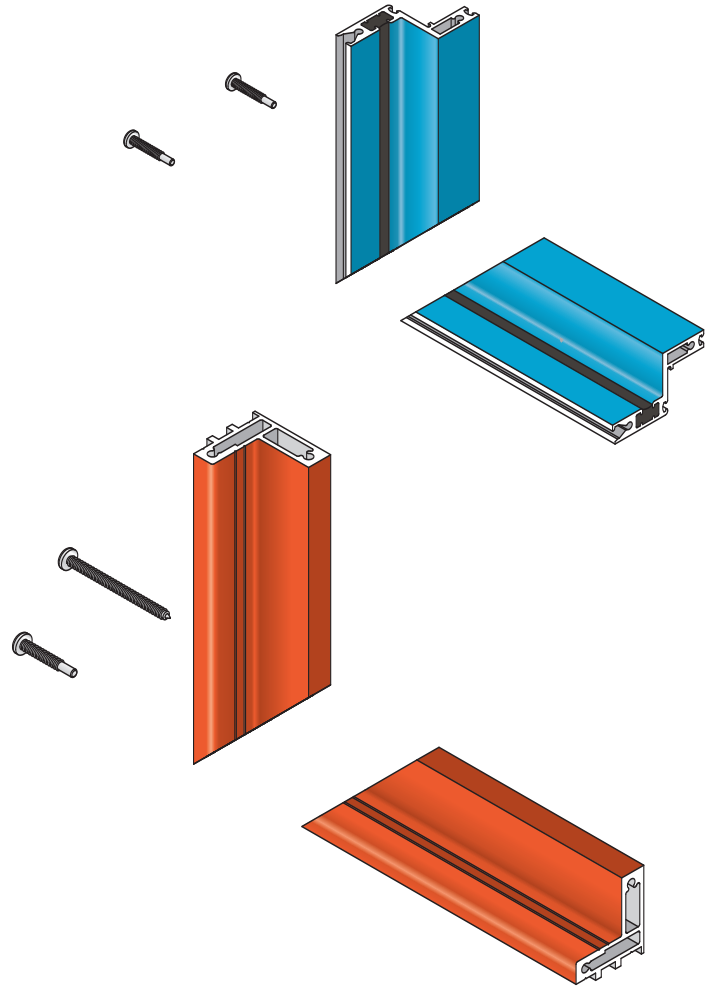
Benefits

Thermally improved frames	Enhanced thermal performance
Designed to use with storefront systems	Allows operable vent in fixed frames Minimal additional metal sightline
Spans up to 1 1/8" wide glazing pocket	Can be used in retrofit applications
Interior face of the intermediate mullion aligns flush with storefront horizontal	The plane of the metal does not appear offset
Accommodates 1/4" & 1" glazing	Energy savings options
Removable glass stop combination glazing leg	Seals the perimeter glass face
Minimal sightline meeting rail available	Maintain the appearance of ribbon applications
Screens available	Ventilation
Screen frames are extruded aluminum alloy	Stronger more durable screens
Anodized and painted finishes available	Unlimited options to answer economic and aesthetic concerns

EFCO CORPORATION
1000 COUNTY RD
MONETT, MO 65708
800.221.4169



System WV410 Storefront Window System



Performance Data

WV-410 Projected	
Air Infiltration	<.10 cfm/ft @ 6.24 psf
Water	No Leakage @ 15.0 psf
Structural	105 psf
CRF-Frame (1503.1)	59°
CRF-Glass (1503.1)	56°
U-Value (1503.1)	.57°

WV-410 Casement	
Air Infiltration	<.10 cfm/ft @ 6.24 psf
Water	No Leakage @ 12.0 psf
Structural	105 psf
CRF Frame (1503.1)	59°
CRF-Glass (1503.1)	56°
U-Value (1503.1)	.57°

A = Estimated values and/or designations
 B = Non-standard size or configuration
 C = Dual glazed
 D = 1" Insulated - 1/4" clear, 1/2" air, 1/4" clear
 E = 1" Insulated - 1/4" clear (Low Emissivity), 1/2" air, 1/4" clear
 F = 1" Insulated - 1/4" clear (Low Emissivity), 1/2" argon, 1/4" clear
 G = 1" Insulated - 1/4" clear, 1/2" air, 1/4" clear (Low Emissivity)

System WV-410 Storefront Vent	Polycarbonate			Glass or Panel												
	3/16"	1/4"	5/16"	3/16"	1/4"	1/4"***	5/16"	7/16"	1/2"	9/16"	5/8"	3/4"	7/8"	15/16"	1"	1-1/16"
Monolithic Glass		0			0	0										
Insulated Glass															S	

** - Laminated Glass
 Thickness
 0 - Optional
 S - Standard
 blank - N/A

System WV410 Storefront Window System



Limitations

The WV-410 can only be used in a flush metal opening that is square to within 1/8" for proper sealing.

Maximum Size: 36" x 60" casement

Maximum Size: 60" x 36" project out

Minimum Size: 12" x 12" project out

Minimum Size: 12" x 12" casement

Minimum Size: 20" x 20" casement with 90 deg. vent opening

Main Frame Construction

Miter cut .080" nominal wall thickness extruded aluminum angle of 6063-T5 or T6 alloy and temper contains integral dual screw bosses. Corners are bed in silicone sealant and assembled using screw spline construction. See Illustration 1.

Vent Frame Construction

Miter cut .125" nominal wall thickness extruded aluminum angle of 6063-T5 or T6 alloy and temper contains integral dual screw bosses and gasket dart race. Corners are bed in silicone sealant and assembled using screw spline construction. See Illustration 2.

Hardware

Standard 4 bar hinge operation is utilized with cam handles applied to vent and surface-applied cam strikes on main frame located as required structurally.

Special Feature

Window can be used in retrofit applications, bridging up to 1 1/8" wide glazing pockets.

Glazing

The main frame is wet sealed to the surrounding opening on the interior side. The 1" glazing is structurally silicone to the vent framing at the number four surface with the vent sealed to the main frame with a 1/8" EPDM bulb perimeter gasket. At the exterior, a removable glass stop combination glazing leg seals the perimeter glass face.

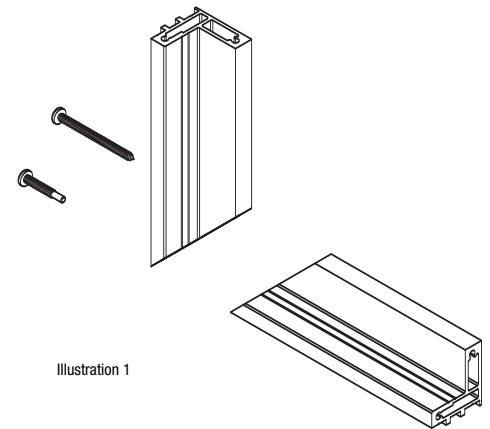


Illustration 1

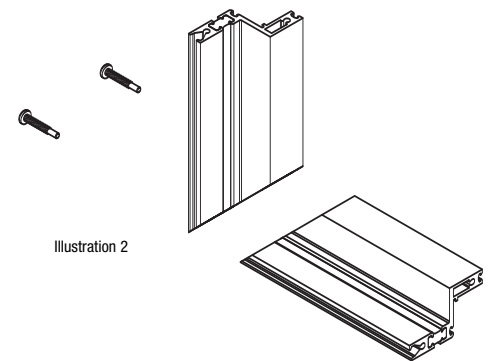
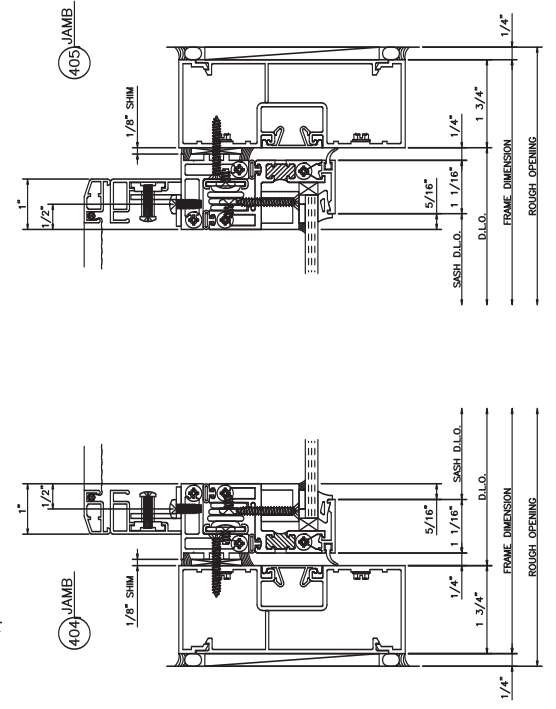
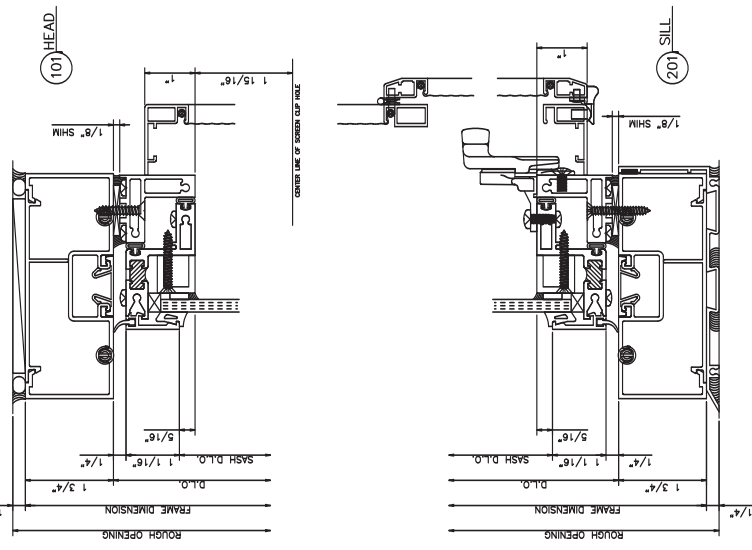
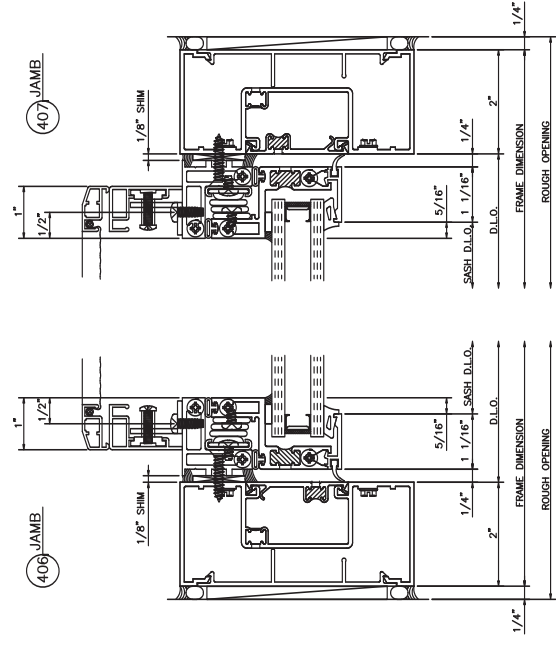
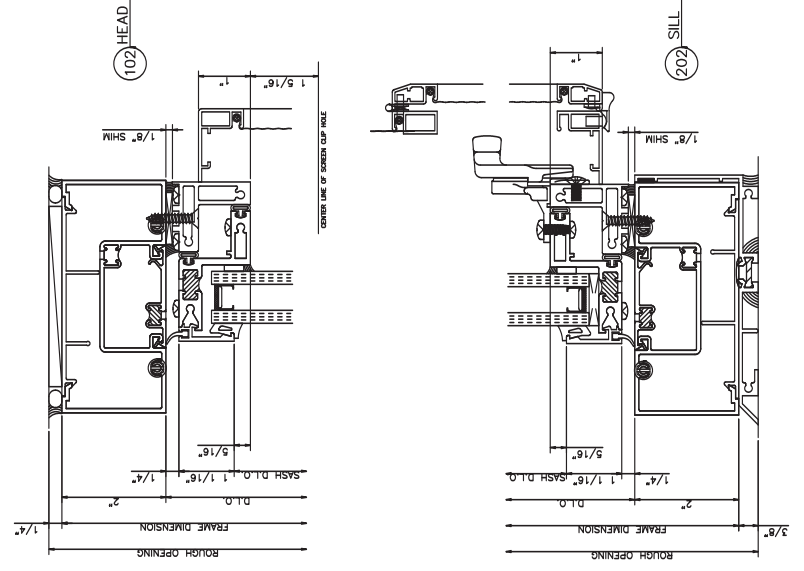


Illustration 2



WW410 Vents • 401 Framing

Project Out

WW410 Vents • 403 Framing

Project Out

WW410 Vents • 403 Framing

Casement Out • Left Swing

