

IMPACT GRADE



Manufacturer
Of
Architectural
And
Commercial
Grade
Windows,
Curtain Walls,
Entrances,
And
Storefronts

EFCO CORPORATION
1000 COUNTY RD
MONETT, MO 65708
800.221.4169



Series 5XP Non-Thermal • Series 5FX Non-Thermal Fixed 5" Architectural Grade Sliding Glass Door

Configurations XO • OX • OXXO • OXOR • OXOL • Fixed

Series 5XP Sliding glass door retains an AAMA Architectural rating to meet the most demanding specifications. Designed for high-rise residential and condominiums, the 5XP is an attractive product for a wide range of applications. The high performance 5XP has been tested to meet the most stringent impact glazing requirements. Multiple glazing options provide flexibility to meet specific design requirements. Series 5XP sliding glass door provides a complete solution for your fenestration needs.

Features

- Low profile sill
- Standard and optional sill starters
- Optional subhead receptors
- Water performance exceeds 33 psf
- Accommodates glazing up to 1 5/8"
- Factory glazed panels
- Optional meeting rails to meet specific design loads
- Raised sill track
- Stainless steel roller track and rollers
- Exterior operable panel
- Integrated extruded interior pull handle
- Stainless steel multi point lock
- Superior forced entry resistance
- Unique screen option
- 5" frame depth
- Corner gaskets on all frame and panel joinery
- Anodized and painted finishes available
- Tested to meet large and small missile impact ratings for the Florida Building Code
- Reduced field labor cost

Series 5XP Non-Thermal • Series 5FX Non-Thermal Fixed 5" Architectural Grade Sliding Glass Door



Frame Construction

The frames have a depth of 5" and are constructed of 6063-T6 aluminum alloy. Nominal material wall thickness for the frame is .125". Corners are of screw spline construction and sealed. See Illustration 1.

Sash Frame Construction

The sash consists of tubular aluminum members with .100" nominal material wall thickness of 6063-T6 alloy. Corners are of screw spline construction and sealed. Weather-stripped interlock at the sash meeting rail(s) is standard. This offers superior weathering and structural performance. See Illustration 2.

Weather Stripping

All sash are weather-stripped with Schlegel Q-Lon™.

Screens

Screen frames are extruded 6063-T6 aluminum alloy with lock. 18 x 16 mesh screens are available in fiberglass and .011" diameter aluminum. 18 x 18 mesh screens are available in .009" diameter stainless steel.

Hardware

The standard multi-point lock provides superior forced entry resistance. The sash glides on a pair of tandem stainless steel rollers over a raised sill track, minimizing the effects of dust and dirt build-up. See Hardware Chart for available hardware types.

Glazing

Doors are glazed with an extruded aluminum snap-in glazing bead and drive-in wedge gasket. Glazings up to 1-5/16" are accommodated. See the Glazing Chart for the exact size.

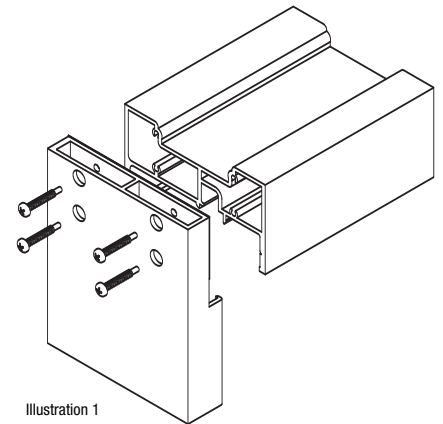


Illustration 1

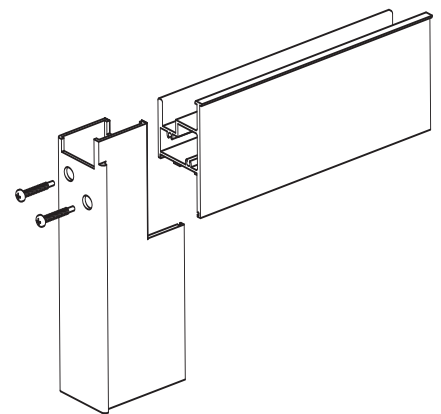
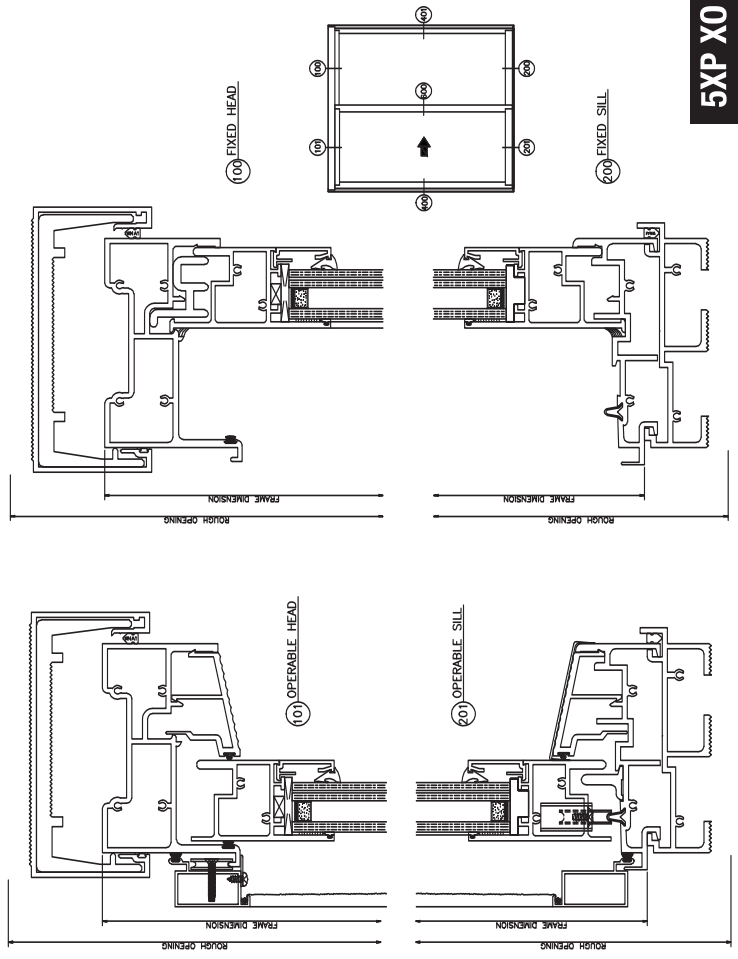
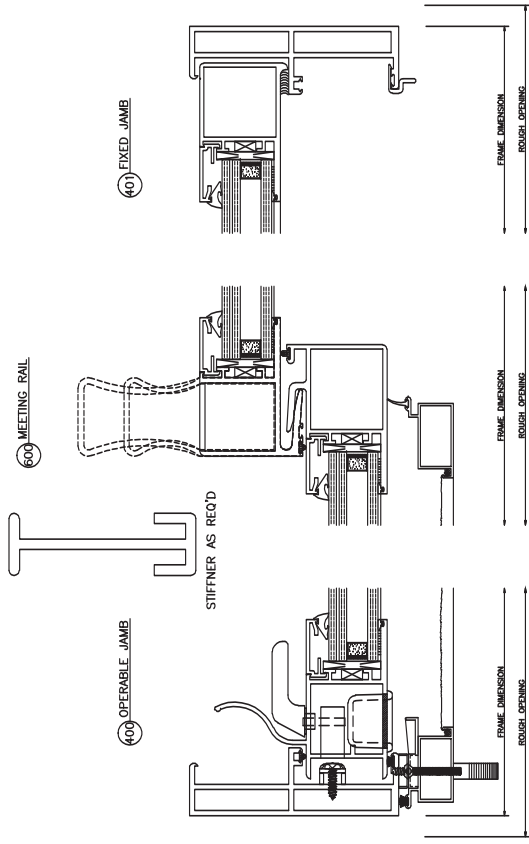
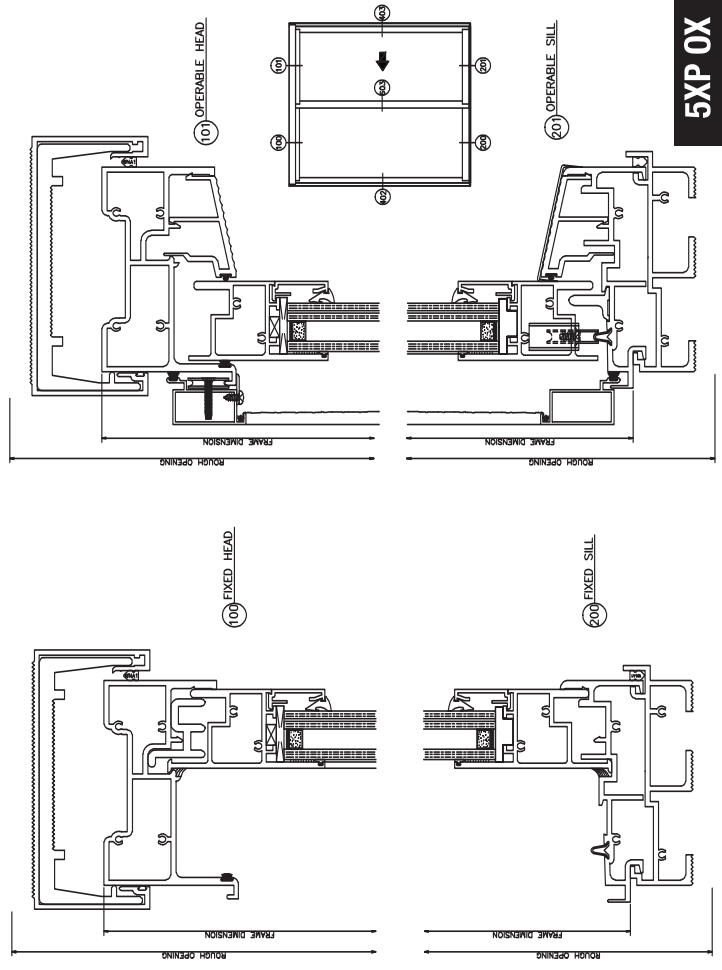
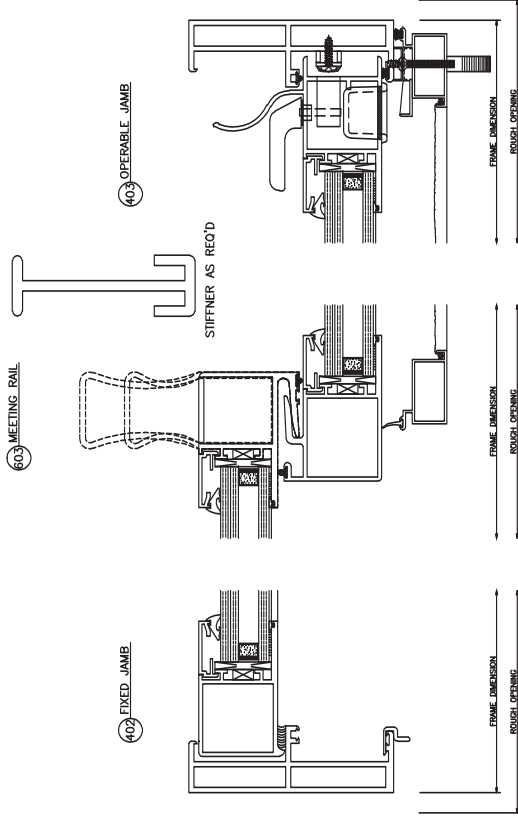


Illustration 2



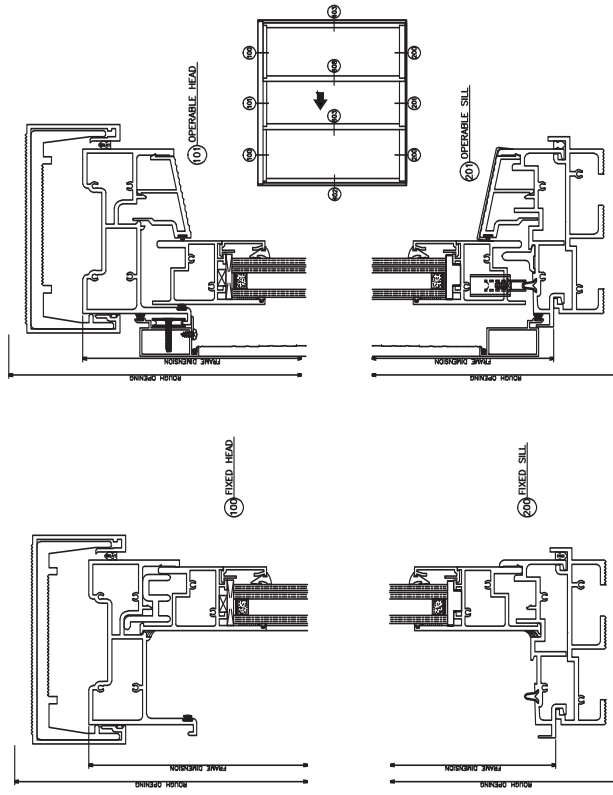
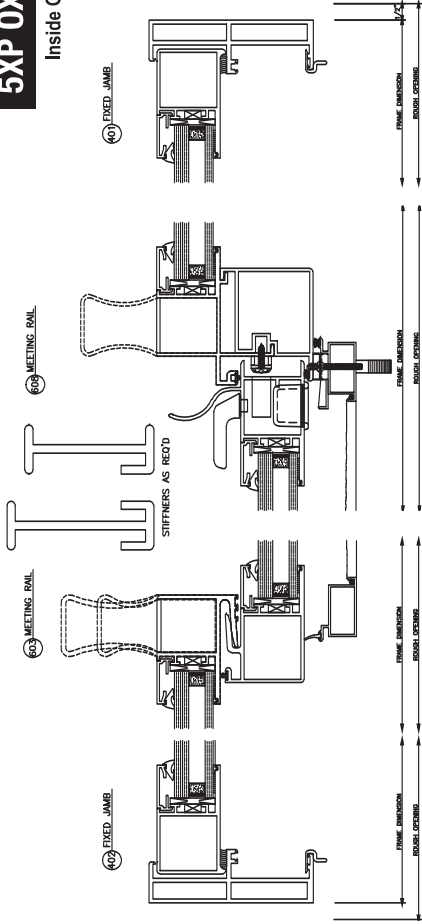
5XP X0
Inside Glazed



5XP 0X
Inside Glazed

5XP 0X0L

Inside Glazed



5XP 0X0R

