

IMPACT GRADE



Series 2600 ***2" Heavy Commercial Projected Window***

Configurations Project-In • Project-Out • Casement In • Casement Out • Pivot • Fixed

Series 2600 retains an AAMA Heavy Commercial and Architectural Grade rating to meet the most demanding specifications. Designed for educational, office or healthcare facilities, the 2600 window system is an attractive product for a wide range of applications. Multiple glazing options provide flexibility to meet specific design requirements. Offered with a complete line of sub frames, mullions and architectural sills, the 2600 window provides the complete solution for your fenestration needs.

Features

Benefits

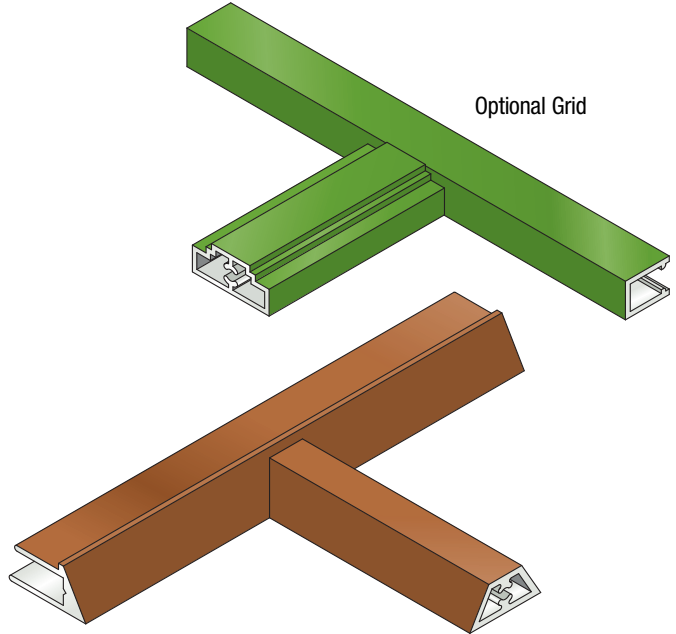
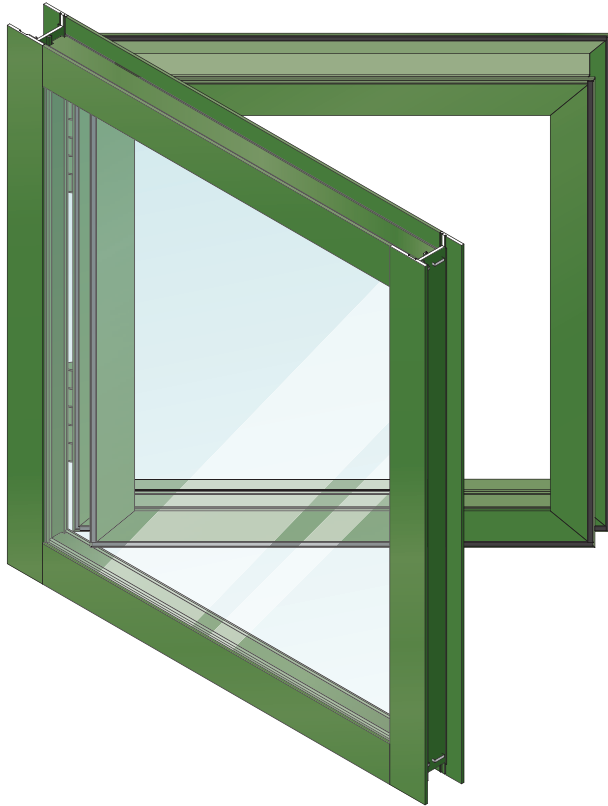
Vertical or horizontal stacking members	Increases configuration options
Angle reinforced vent corners	Improves sash/vent rigidity
Pressure equalization	Superior water resistance
Wide variety of locking and operating hardware available	Permits hardware options to address specific requirements
Dual glazing with optional integral blinds	Improved energy savings and interior light or privacy control with low maintenance
Screen frames of extruded aluminum alloy are available	Stronger more durable screens
Accessory line of subframes, mullions, and architectural sills	Allows custom designs with standard product
Anodized and painted finishes available	Unlimited options to answer economic and aesthetic concerns

Manufacturer
 Of
 Architectural
 And
 Commercial
 Grade
 Windows,
 Curtain Walls,
 Entrances,
 And
 Storefronts

EFCO CORPORATION
 1000 COUNTY RD
 MONETT, MO 65708
 800.221.4169



Series 2600 2" Heavy Commercial Projected Window



Performance Data

Projected Architectural Grade

AAMA Rating (NAFS-02)	AP-AW65
Air Infiltration	<.10 cfm/sf @ 6.24 psf
Water	No Leakage @ 15.0 psf
Structural	±97.5 psf

Casement Architectural Grade

AAMA Rating (NAFS-02)	C-AW100
Air Infiltration	<.10 cfm/sf @ 6.24 psf
Water	No Leakage @ 15.0 psf
Structural	±150.0 psf

A = Estimated values and/or designations
 B = Non-standard size or configuration
 C = Dual glazed
 D = 1" Insulated - 1/4" clear, 1/2" air, 1/4" clear
 E = 1" Insulated - 1/4" clear (Low Emissivity), 1/2" air, 1/4" clear
 F = 1" Insulated - 1/4" clear (Low Emissivity), 1/2" argon, 1/4" clear
 G = 1" Insulated - 1/4" clear, 1/2" air, 1/4" clear (Low Emissivity)

Pivot Heavy Commercial

Air Infiltration	<.10 cfm/ft. @ 6.24 psf
Water	No Leakage @ 6.0 psf
Structural	±60.0 psf

S-2600 Hardware Chart	Butt Hinges	4-Bar Arms	Friction Adjuster	Key Release Limit Arm	Rotor Operator*	Cam Handle	Pole Ring Cam Handle	Pole Ring Pull**	Access Controlled Lock	Lift Lock
Project-In		S				S	0		0	
Project-Out		S				S	0	0	0	
Casement Inswing With 4-Bar Arms		S				S	0		0	
Casement Outswing With 4-Bar Arms		S				S	0		0	0
Casement Inswing With Butt Hinges	S		0	0		S	0		0	
Casement Outswing With Butt Hinges	S		S	0	S	S	0		0	0
Vertical Pivot				0		0	0		S	
Horizontal Pivot				S		0	0		S	

Some size restrictions may apply depending on hardware selected.
 *-Casements requiring rotor operators will be furnished with lift locks, providing vents meet minimum width requirements.
 **-Pole ring pull will be furnished on project-out vents when optional pole ring cam handle is selected.

0-Optional
 S-Standard
 blank - N/A

S-2600 Glazing Chart	Polycarbonate			Glass or Panel																
	1/8"	3/16"	1/4"	1/8"	.156**	3/16"	.200**	1/4"	1/4"***	1/2"	5/8"	3/4"	7/8"	1"	1-1/8"	1-1/4"	1-1/2"	1-3/4"	2"	
Monolithic & Insulated Glass	A	A	A	A	A	A	A	A	A	A	A	A	A	A	A	A				
Dual Glazing	Exterior Lite	I	I	I	I	I	I	I	I	I	A	A								
	Interior Lite						A	A	A											

*-Obscure Glass Thickness
 **-Laminated Glass Thickness

A-Available Glazing Option
 I-Internal Blinds Can Be Used With This Type of Dual Glazing
 blank - N/A

Series 2600

2" Heavy Commercial Projected Window



Main Frame Construction

The frame is constructed from .125" nominal material wall thickness aluminum of 6063-T6 alloy with a depth of 2". An equal leg frame is standard. Corners are mortised and tenoned, and back sealed with small-joint seam sealer. See Illustration 1.

Vent Frame Construction

The 2" deep vent consists of tubular aluminum members with .125" nominal material wall thickness of 6063-T6 alloy. Vent corners are mitered, angle reinforced, crimped, cold epoxy welded, and back sealed with small-joint seam sealer. See Illustration 2.

Weather Stripping

All vents are dual weather-stripped with a dual durometer Santoprene® gasket. The exterior gasket is intentionally omitted at the vent bottom rail for project-out vents and at the vent top rail for project-in vents, allowing air to pressure equalize the void between the vent and frame. Each vent utilizes the pressure equalization technique for superior water resistance performance. Two holes or slots per vent through the window frame facilitate weepage.

Screens

Screen frames are extruded 6063-T6 aluminum alloy. Full width hinged wickets or fully hinged screens are available. 18 x 16 mesh screens are available in fiberglass and .011" diameter aluminum. 18 x 18 mesh screens are available in .009" diameter stainless steel.

Hardware

Locking cam handles, access controlled locks, and keepers are of cast white bronze with a US25D finish. 4-bar hinges are fabricated of stainless steel meeting AAMA 904.1 requirements. Butt hinges are fabricated from extruded aluminum of 6063-T6 alloy with stainless steel pins. Pivots are fabricated of extruded aluminum and stainless steel pins. See the Hardware Chart for available hardware types.

Glazing

Windows can be inside or outside glazed with an extruded aluminum, snap-in glazing bead. Glazing of 1/8" to 1-1/4" can be utilized. Dual glazing is also available in 1/8", 3/16" and 1/4" glass. Aluminum blinds between the glass are available with dual glazed windows. See the Glazing Chart for exact size.

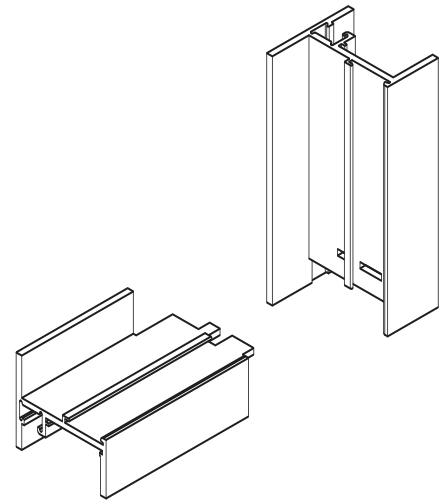


Illustration 1

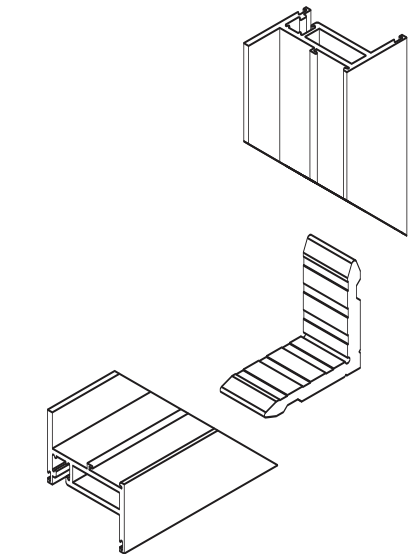
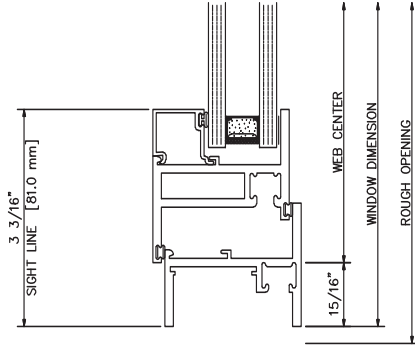
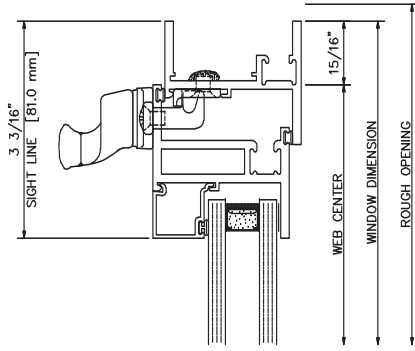


Illustration 2

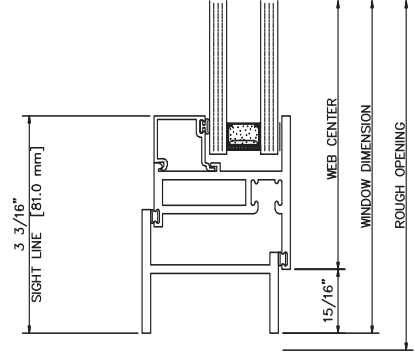
420 LEFT JAMB



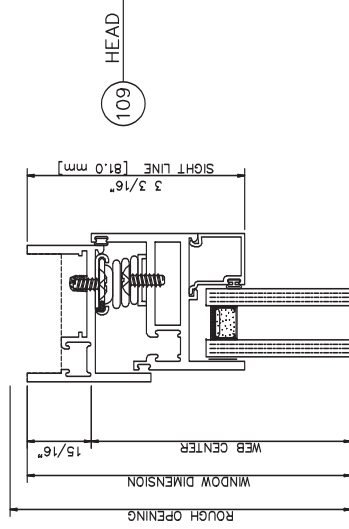
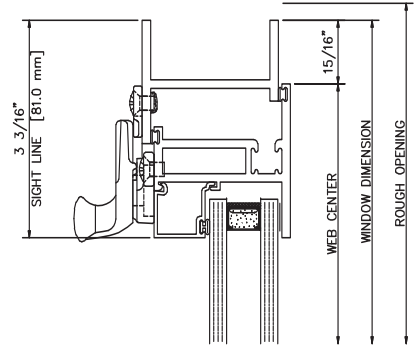
421 RIGHT JAMB



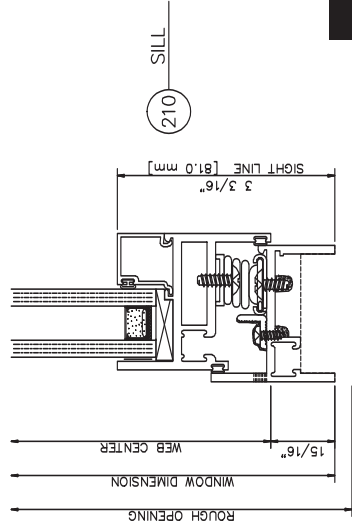
408 LEFT JAMB



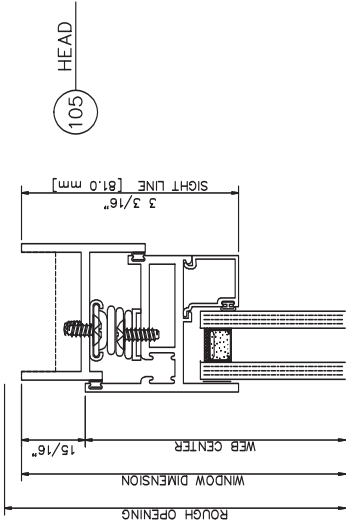
409 RIGHT JAMB



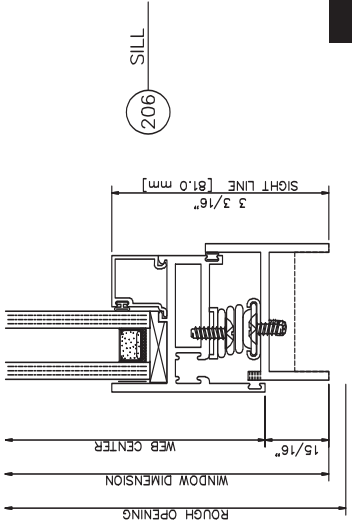
109 HEAD



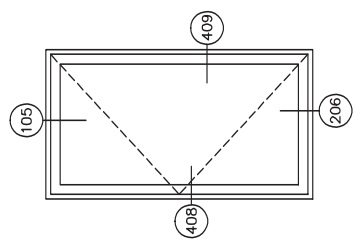
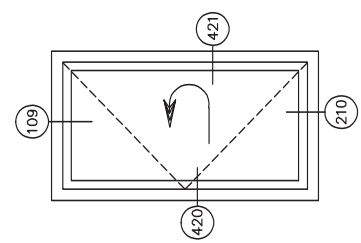
210 SILL



105 HEAD



206 SILL



2600 Inside Glazed

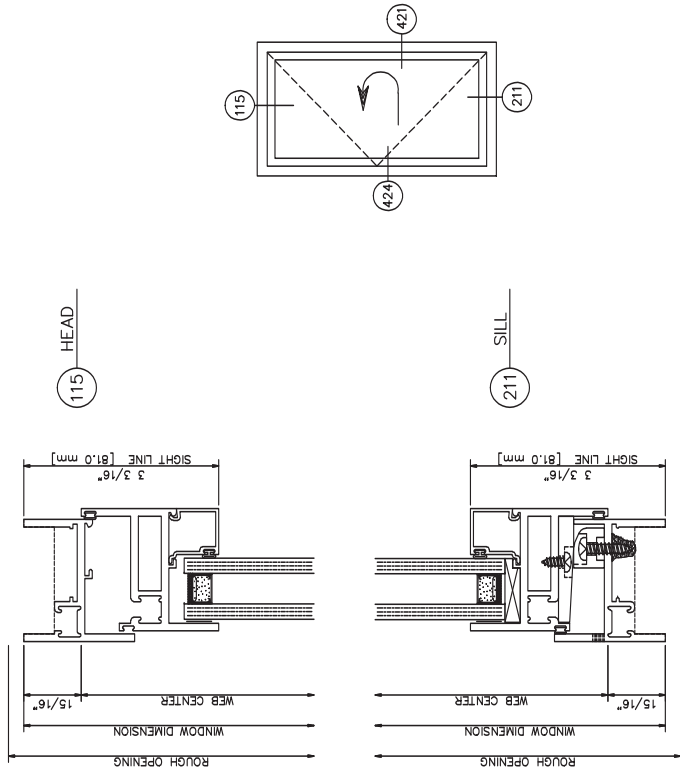
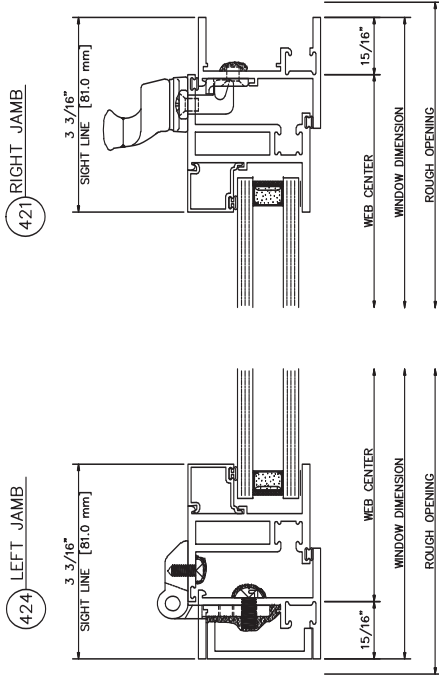
Casement In • Left Swing • 4 Bar Arms • Cam Locks

2600 Inside Glazed

Casement Out • Left Swing • 4 Bar Arms • Cam Locks

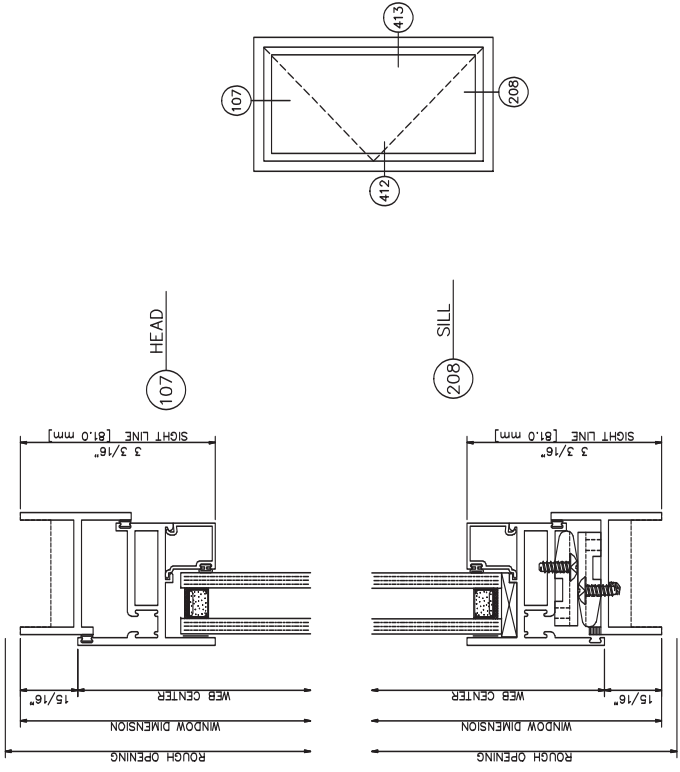
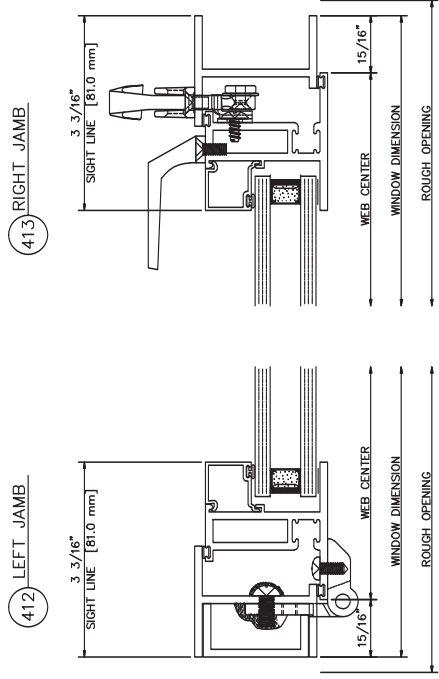
2600 Inside Glazed

Casement In • Left Swing • Butt Hinges • Cam Locks • Cam Locks

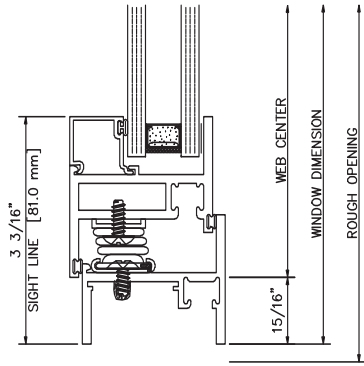


2600 Inside Glazed

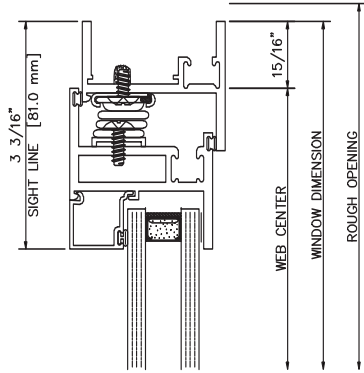
Casement Out • Left Swing • Butt Hinges • Lift Locks • Pull Handles



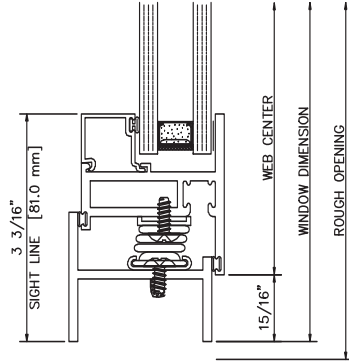
402 LEFT JAMB



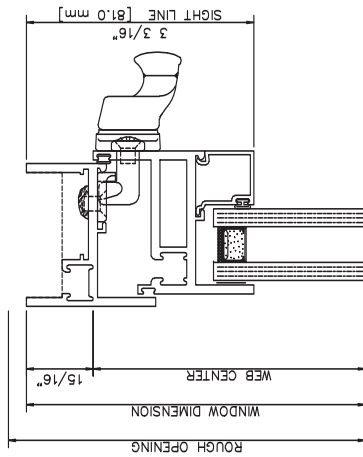
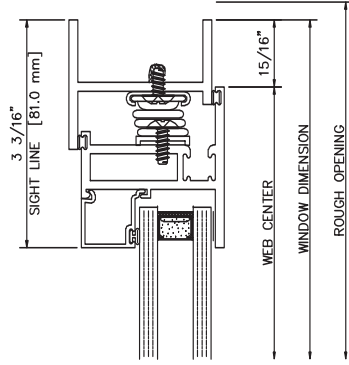
403 RIGHT JAMB



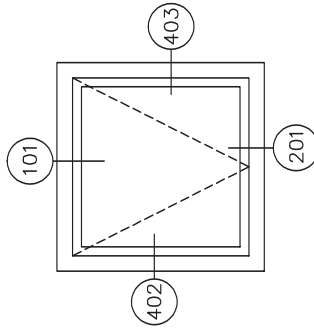
406 LEFT JAMB



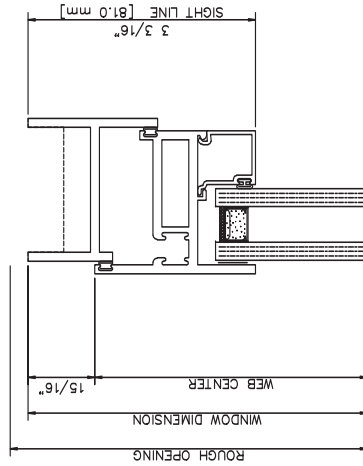
404 RIGHT JAMB



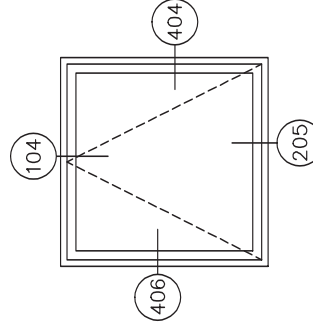
101 HEAD



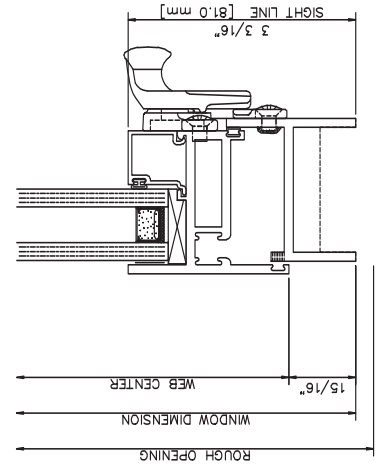
201 SILL



104 HEAD

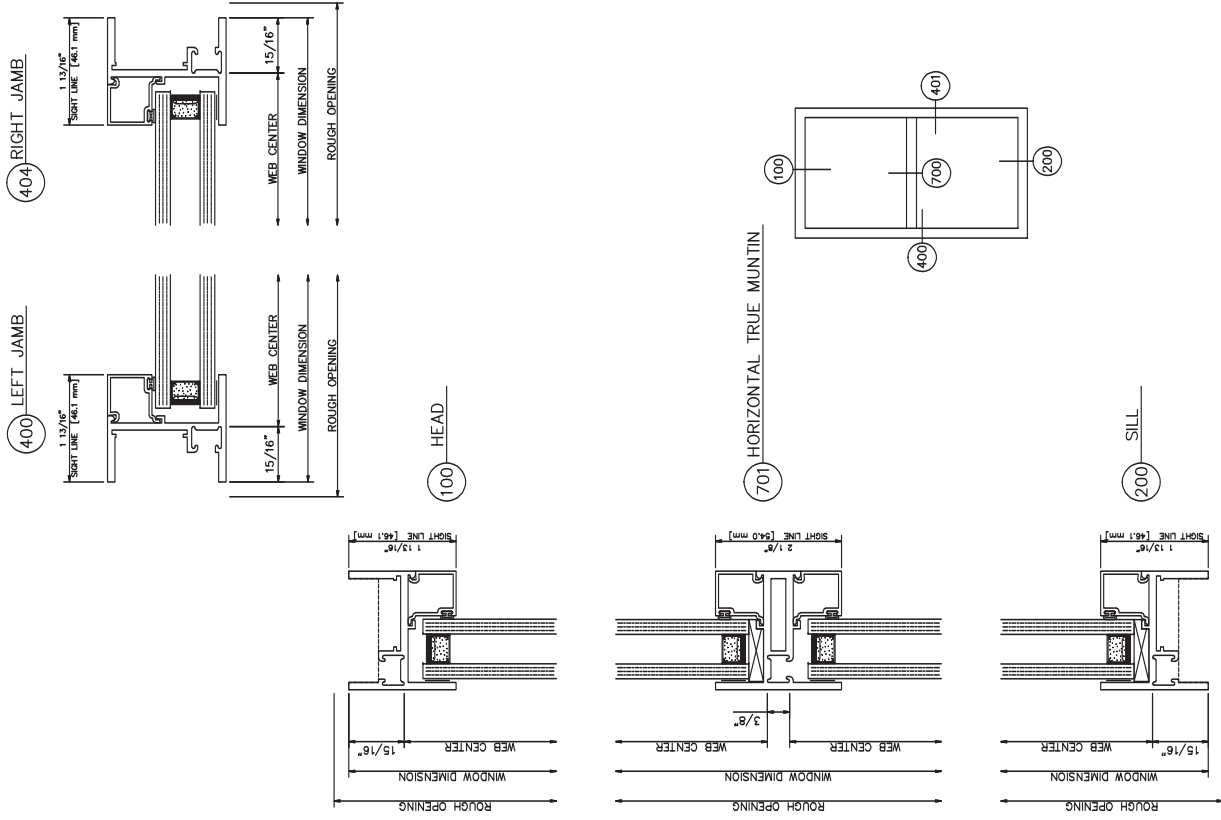


205 SILL



2600 Inside Glazed

Fixed



2600 Glazing

