



Manufacturer
Of
Architectural
And
Commercial
Grade
Windows,
Curtain Walls,
Entrances,
And
Storefronts

EFCO CORPORATION
1000 COUNTY RD
MONETT, MO 65708
800.221.4169



Series 890-I Equa-Vu™ ***3 1/2" Heavy Commercial Projected Window***

Configurations Project-In • Casement Inswing • Fixed

Series 890-I retains an AAMA Heavy Commercial and Architectural Grade rating to meet the most demanding specifications. Designed for high-rise residential, educational, office or healthcare facilities, the 890-I window system is an attractive product for a wide range of applications. Multiple glazing options provide flexibility to meet specific design requirements. E-Strut™ thermal isolators in the frame and sash improve thermal performance, increasing energy saving potential. The 890-I also has dual finish capabilities. Offered with a complete line of sub frames, mullions and architectural sills, the 890-I window provides the complete solution for your fenestration needs.

Features

E-Strut™ thermal isolator

Angle reinforced vent corners

Horizontal stacking members

Pressure equalization

Wide variety of locking and operating hardware available

Screen frames of extruded aluminum alloy are available

Accessory line of subframes, mullions, and architectural sills

Anodized and painted finishes available

Benefits

Improves U-Value performance
Dual finish capability
Completely eliminates dry shrinkage

Improves sash/vent rigidity

Increases configuration options

Superior water resistance

Permits hardware options to address specific requirements

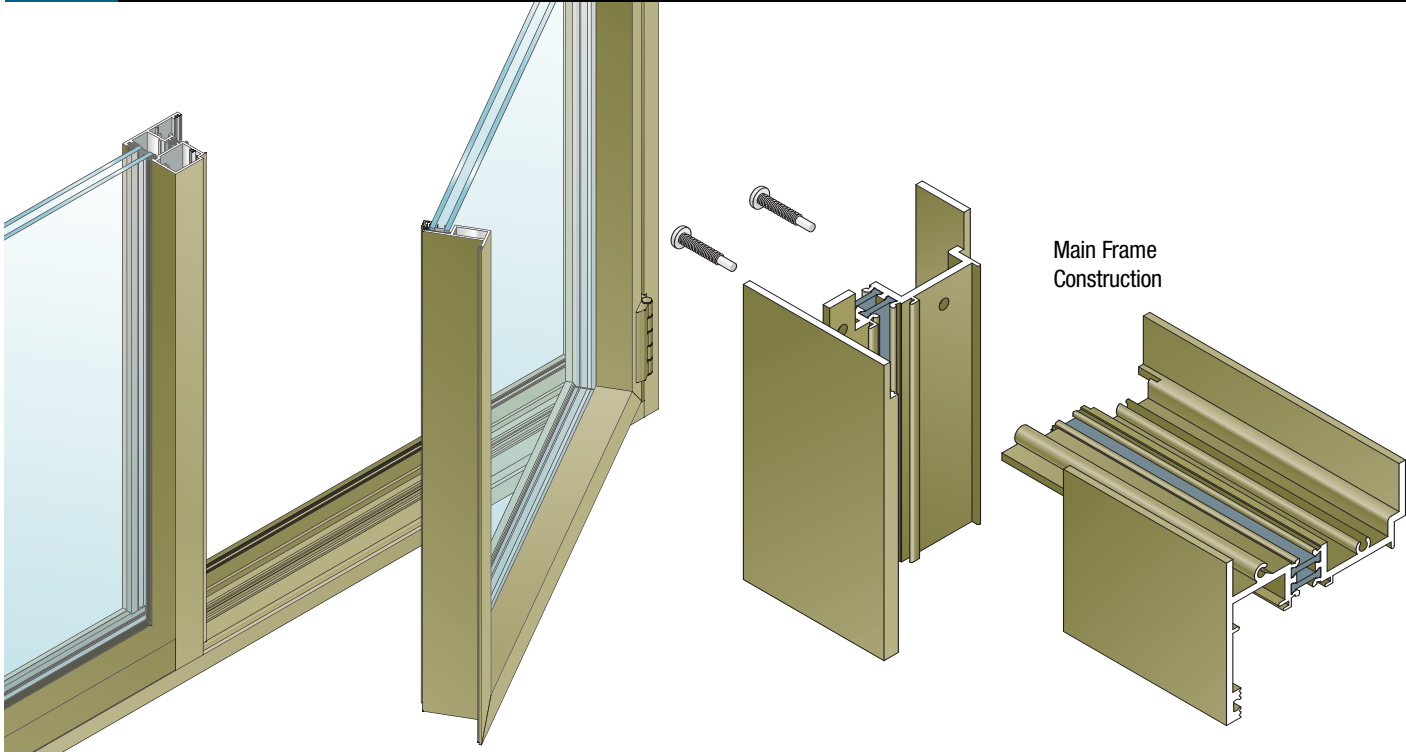
Stronger more durable screens

Allows custom designs with standard product

Unlimited options to answer economic and aesthetic concerns



Series 890-I Equa-Vu™ 3 1/2" Heavy Commercial Projected Window



Performance Data

Projected Architectural Grade

AAMA Rating (NAFS-02)	AP-AW115
Air Infiltration	<.10 cfm/sf @ 6.24 psf
Water	No Leakage @ 15.0 psf
Structural	±172.5 psf
CRF-Frame (1503-98)	48°
CRF-Glass (1503-98)	59°
U-Value (1503-98)	.65°
U-Value (NFRC-97)	.61°

Casement Architectural Grade

AAMA Rating (NAFS-02)	C-AW115
Air Infiltration	<.10 cfm/sf @ 6.24 psf
Water	No Leakage @ 15.0 psf
Structural	±172.5 psf
CRF-Frame (1503-98)	51°
CRF-Glass (1503-98)	65°
U-Value (1503-98)	.62°
U-Value (NFRC-102)	.60°

A = Estimated values and/or designations
 B = Non-standard size or configuration
 C = Dual glazed
 D = 1" Insulated - 1/4" clear, 1/2" air, 1/4" clear
 E = 1" Insulated - 1/4" clear (Low Emissivity), 1/2" air, 1/4" clear
 F = 1" Insulated - 1/4" clear (Low Emissivity), 1/2" argon, 1/4" clear
 G = 1" Insulated - 1/4" clear, 1/2" air, 1/4" clear (Low Emissivity)

S-890I Hardware Chart	Butt Hinges	4-Bar Arms	Friction Adjuster	Key Release Limit Arm	Rotor Operator*	Cam Handle	Pole Ring Cam Handle	Pole Ring Pull**	Access Controlled Lock	Lift Lock
Project-In		S				S	0		0	
Casement Inswing With 4-Bar Arms		S				S	0		0	
Casement Inswing With Butt Hinges	S		0	0		S	0		0	

Some size restrictions may apply depending on hardware selected.

*-Casements requiring roto operators will be furnished with lift locks, providing vents meet minimum width requirements.

**-Pole ring pull will be furnished on project-out vents when optional pole ring cam handle is selected.

0 -Optional
 S -Standard
 blank - N/A

S-810I Glazing Chart	Polycarbonate			Glass or Panel																
	1/8"	3/16"	1/4"	1/8"	.156"	3/16"	.200"	1/4"	1/4"	1/2"	5/8"	3/4"	7/8"	1"	1-1/8"	1-1/4"	1-1/2"	1-3/4"	2"	
Monolithic Glass			A					A												
Insulated Glass														A						

*-Obscure Glass Thickness
 **-Laminated Glass Thickness
 A-Available Glazing Option
 blank - N/A

Series 890-I Equa-Vu™ 3 1/2" Heavy Commercial Projected Window



Main Frame Construction

The frame is constructed from .125" nominal material wall thickness aluminum of 6063-T6 alloy with a depth of 3 1/2". An equal leg frame is standard. Corners are of screw spline construction and back sealed with small-joint seam sealer. Frame sight line is 2 3/4". Meeting rail and true muntin sight lines are 3 5/8". Vertical member and stack member sight lines are 3 7/8". See Illustration 1.

Vent Frame Construction

The 3 1/2" deep vent consists of tubular aluminum members with .125" nominal material wall thickness of 6063-T6 alloy. Vent corners are mitered, angle-reinforced, crimped, cold epoxy welded, and back sealed with small-joint seam sealer. See Illustration 2.

Weather Stripping

All vents are dual weather-stripped with Santoprene® gaskets. The exterior gasket is intentionally omitted at the vent top rail, allowing air to pressure equalize the void between the vent and frame. Each vent utilizes the pressure equalization technique for superior water resistance performance. Two holes or slots per vent through the window frame facilitate weepage.

Screens

Screen frames are extruded 6063-T6 aluminum alloy. 18 x 16 mesh screens are available in fiberglass and .011" diameter aluminum. 18 x 18 mesh screens are available in .009" diameter stainless steel.

Thermal Barrier

All frames and vents are thermally isolated with two thermal struts consisting of glass reinforced polyamide nylon, mechanically crimped in raceways extruded in the exterior and interior extrusions. See Illustration 3.

Hardware

Locking cam handles, access controlled locks, and keepers are of cast white bronze in a US25D finish. 4-bar arms are fabricated from stainless steel meeting AAMA 904.1 requirements. Butt hinges are fabricated from extruded aluminum of 6063-T6 alloy with stainless steel pins. See Hardware Chart for available hardware types.

Glazing

Vents are outside glazed with extruded aluminum glazing bead and neoprene drive-in wedge against the exterior of the glass. Fixed units are outside or inside glazed using sponge neoprene preset and neoprene drive-in wedge. See Glazing Chart for exact size.

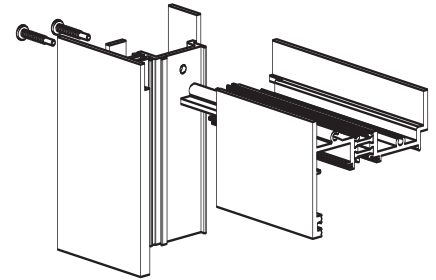


Illustration 1

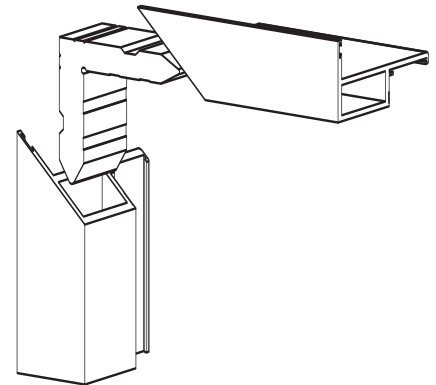


Illustration 2

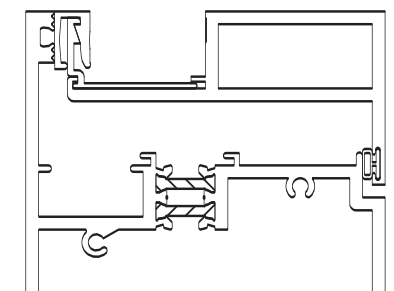
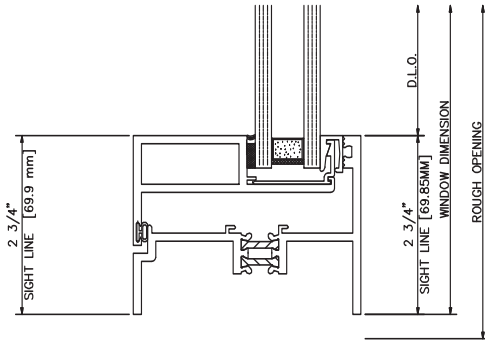
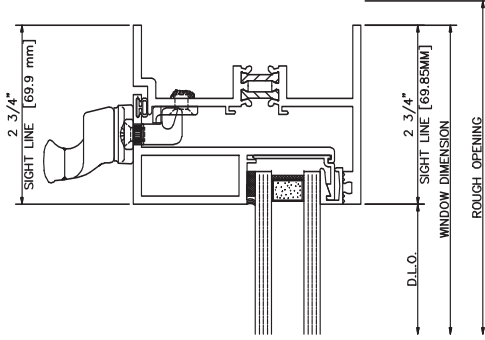


Illustration 3

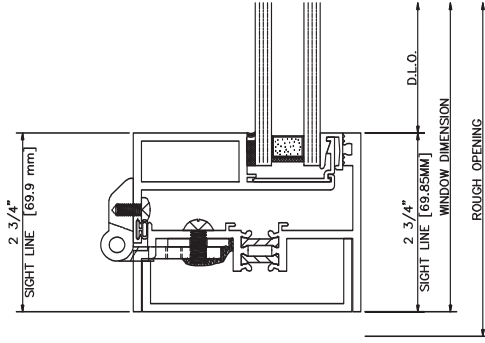
410 LEFT JAMB



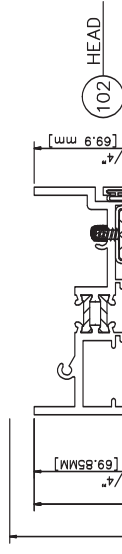
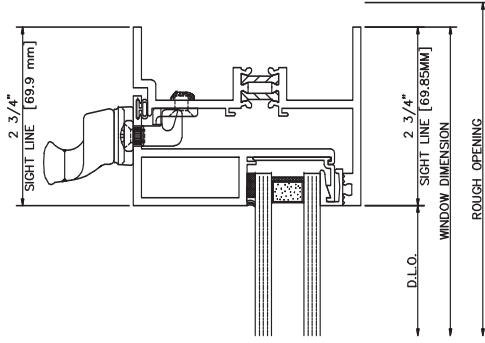
413 RIGHT JAMB



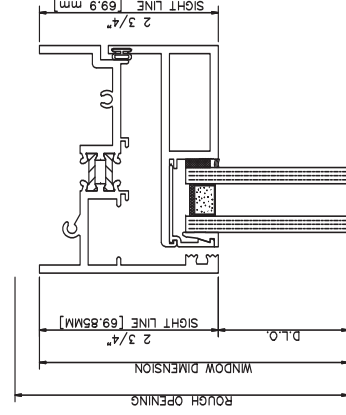
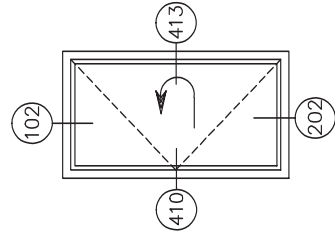
408 LEFT JAMB



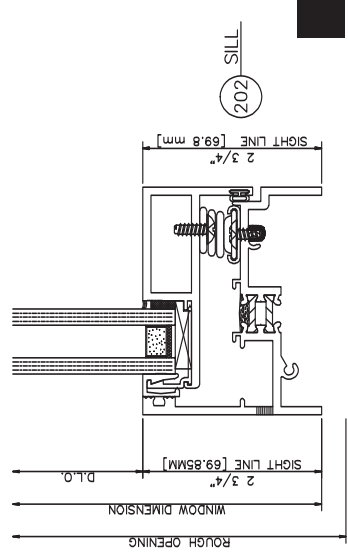
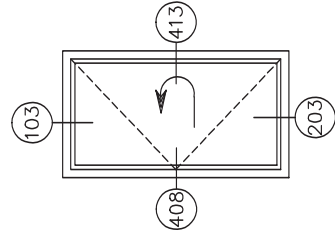
413 RIGHT JAMB



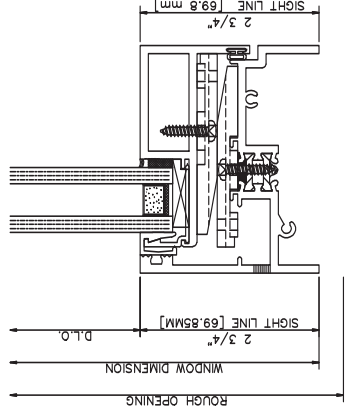
102 HEAD



103 HEAD



202 SILL



203 SILL

890-I Inside Glazed

Caseament In • Left Swing • 4 Bar Arms • Cam Locks

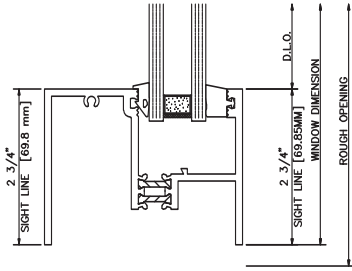
890-I Inside Glazed

Caseament In • Left Swing • Butt Hinges • Cam Locks

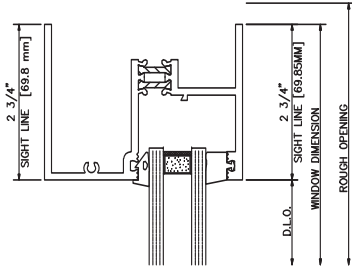
890-I Inside Glazed

Fixed

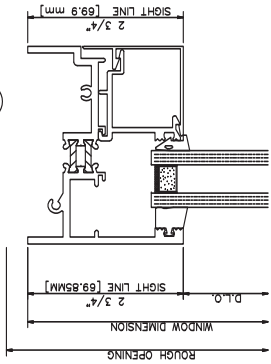
400 LEFT JAMB



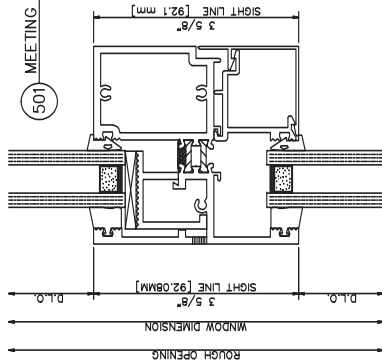
402 RIGHT JAMB



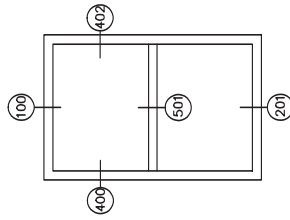
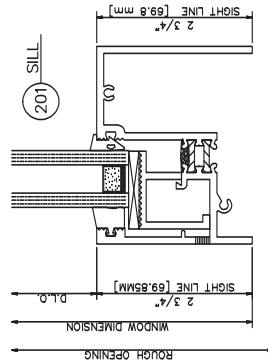
100 HEAD



501 MEETING RAIL



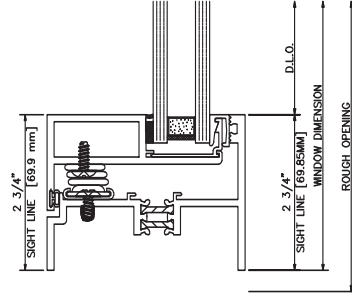
201 SILL



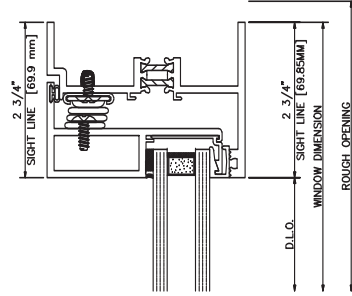
890-I Inside Glazed

Project In

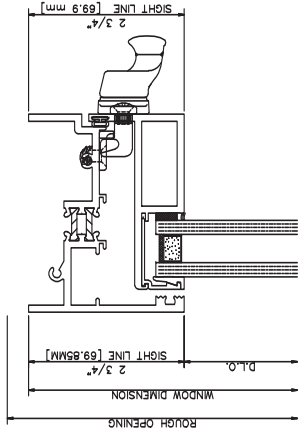
404 LEFT JAMB



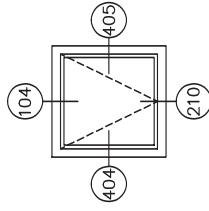
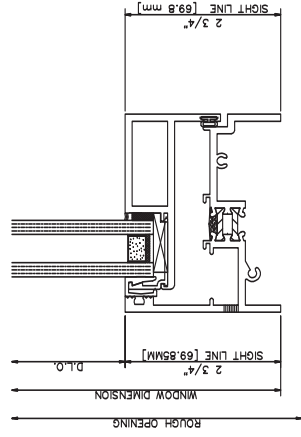
405 RIGHT JAMB



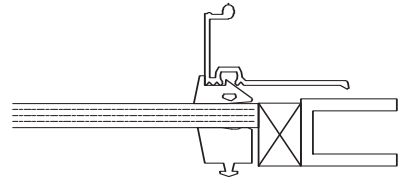
104 HEAD



210 SILL



1/4" MONOLITHIC
TYPICAL POCKET
GLAZING



1/4" MONOLITHIC
TYPICAL SASH
GLAZING

