



Standard Features & Accessories

All models include

- Commercial-type construction, design, and styling
 - Built from thick sheets of rugged, heavy-duty, non-rusting stainless steel
 - Professional-style handles match Viking outdoor appliances
- Must be installed with locally supplied countertop
- 30"D. cabinets
 - Doors can be adjusted to mount left or right hinge
 - Fully concealed door hinges
- Drawers equipped with full extension slides
- Heavy-duty, adjustable legs (same as on indoor ranges)
- Optional clip-on toe kick included

VQBO3021

- For use with built-in 30"W. grill
 - 30-1/4"W. x 29-7/8"D. x 34-1/2"H.

VQWO3010

- For use with built-in 30"W. grill & 30"W. warming drawer
 - 30-1/4"W. x 29-7/8"D. x 34-1/2"H.

VQBO4121

- For use with built-in 41"W. grill
 - 41-7/8"W. x 29-7/8"D. x 34-1/2"H.

Model Options



VQBO3021
Grill Base*



VQWO3010
Grill Base w/ 30"W. Warming
Drawer Opening**



VQBO4121
Grill Base*

FINISH DETAILS FOR ALL MODELS

- Stainless Steel (SS)

*Shown throughout with grill, sold separately (see Installation Notes & Accessories).

**Shown throughout with grill & warming drawer, sold separately (see Installation Notes & Accessories).





Standard Features & Accessories

All models include

- Commercial-type construction, design, and styling
 - Built from thick sheets of rugged, heavy-duty, non-rusting stainless steel
 - Professional-style handles match Viking outdoor appliances
- Must be installed with locally supplied countertop
- 30"D. cabinets
 - Doors can be adjusted to mount left or right hinge
 - Fully concealed door hinges
- Drawers equipped with full extension slides
- Heavy-duty, adjustable legs (same as on indoor ranges)
- Optional clip-on toe kick included

VQWO4120

- For use with built-in 41"W. grill & 36"W. warming drawer
 - 41-7/8"W. x 29-7/8"D. x 34-1/2"H.

VQBO5322

- For use with built-in 53"W. grill
 - 53-7/8"W. x 29-7/8"D. x 34-1/2"H.

VQWO5311

- For use with built-in 53"W. grill & 36"W. warming drawer
 - 53-7/8"W. x 29-7/8"D. x 34-1/2"H.

Model Options



VQWO4120
Grill Base w/36"W. Warming
Drawer Opening**



VQBO5322
Grill Base*



VQWO5311
Grill Base w/36"W. Warming
Drawer Opening**

FINISH DETAILS FOR ALL MODELS

- Stainless Steel (SS)

*Shown throughout with grill, sold separately (see Installation Notes & Accessories).

**Shown throughout with grill & warming drawer, sold separately (see Installation Notes & Accessories).





★ Please see Installation Notes and Accessories for important information, including grills, warming drawers, side panels, back panels, and filler strips.

Dimensions & Specifications

PRODUCT DIMENSIONS



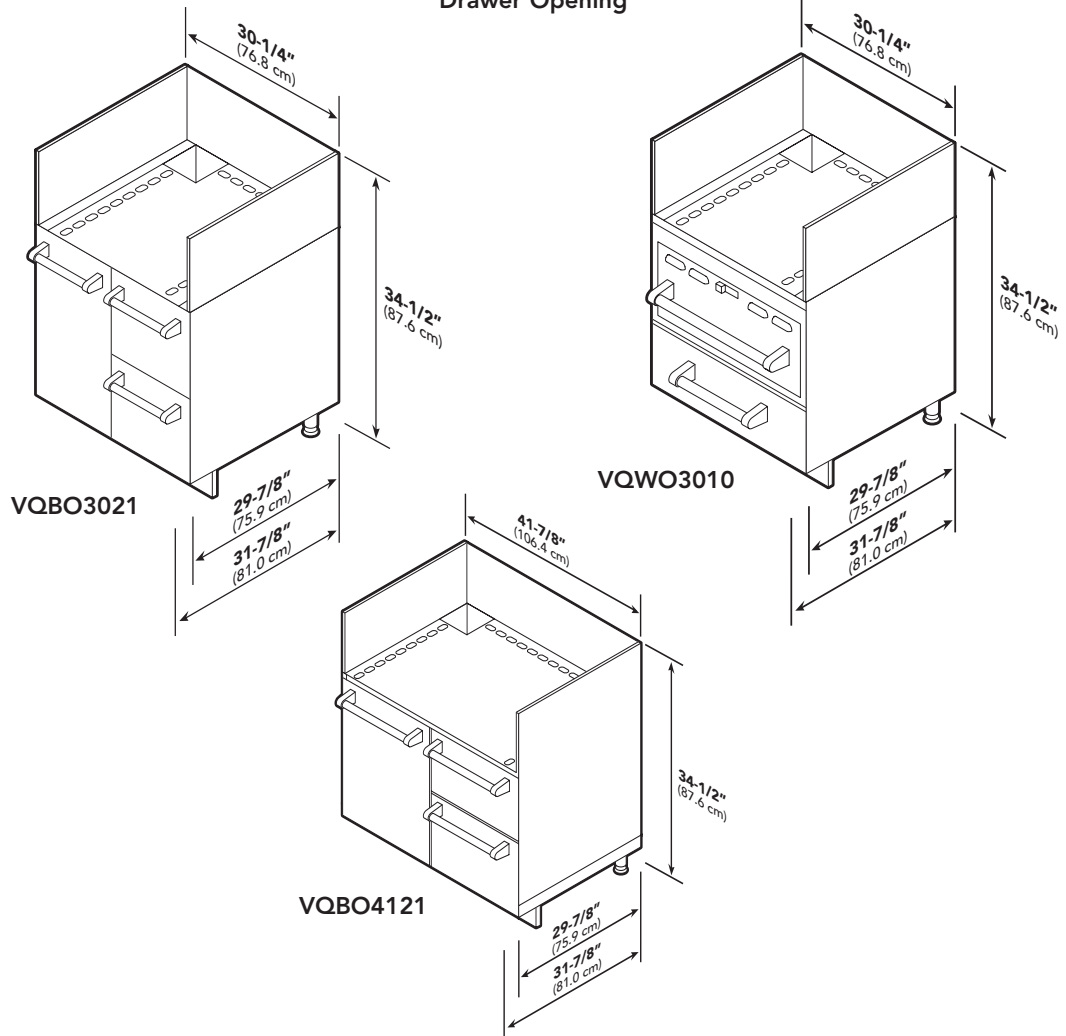
VQBO3021
Grill Base



VQWO3010
Grill Base w/ 30\"/>



VQBO4121
Grill Base



	VQBO3021	VQWO3010	VQBO4121
Overall width	30-1/4" (76.8 cm)	30-1/4" (76.8 cm)	41-7/8" (106.4 cm)
Overall height (from bottom)		34-1/2" (87.6 cm)	
Overall depth (from rear)		29-7/8" (75.9 cm)	
To end of handle brackets		31-7/8" (81.0 cm)	
With drawer open		53-7/8" (136.8 cm)	
Approx. ship wt. lbs. (kg)	186 (84.4)	171 (77.6)	235 (106.6)





★ Please see Installation Notes and Accessories for important information, including grills, warming drawers, side panels, and filler strips.

Dimensions & Specifications

PRODUCT DIMENSIONS



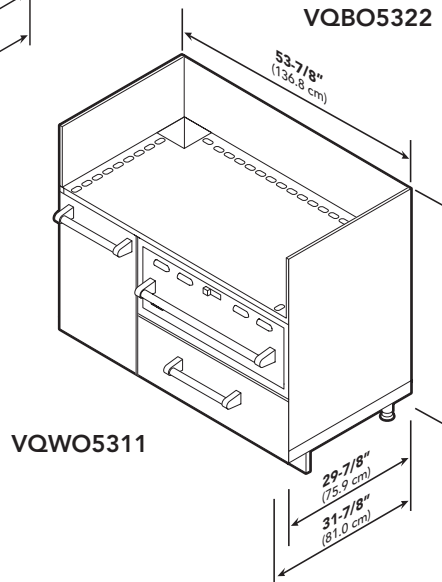
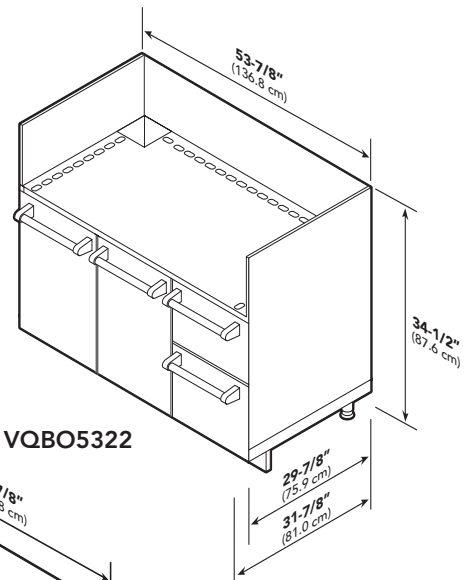
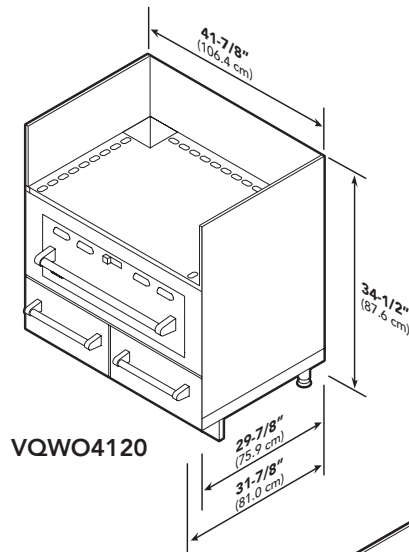
VQWO4120
Grill Base w/36\"/>



VQBO5322
Grill Base



VQWO5311
Grill Base w/36\"/>



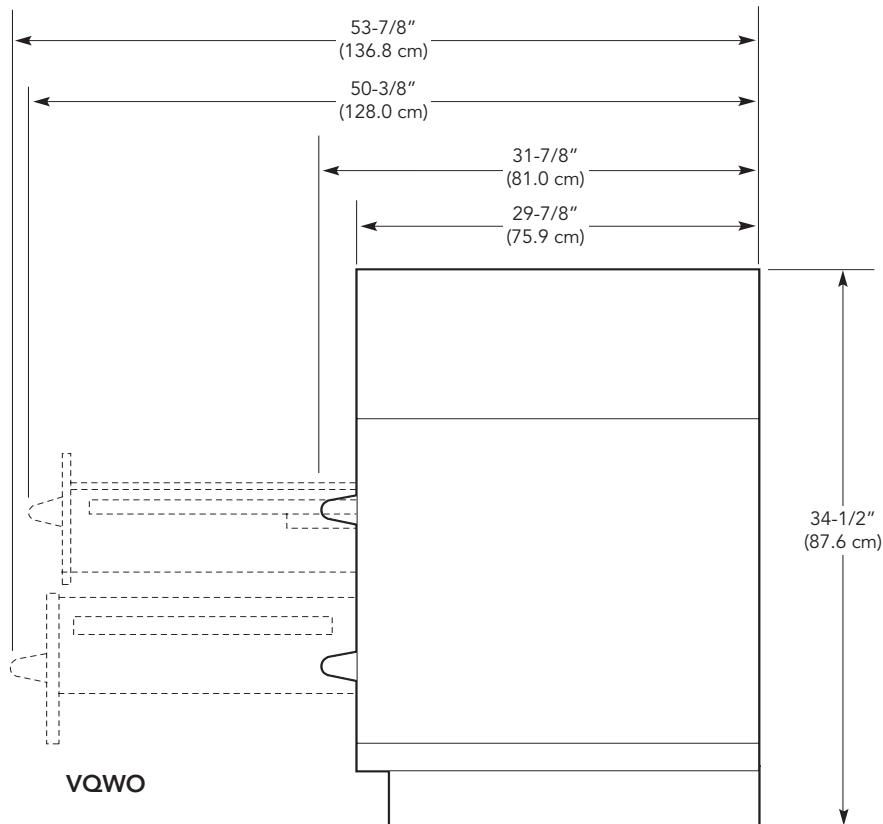
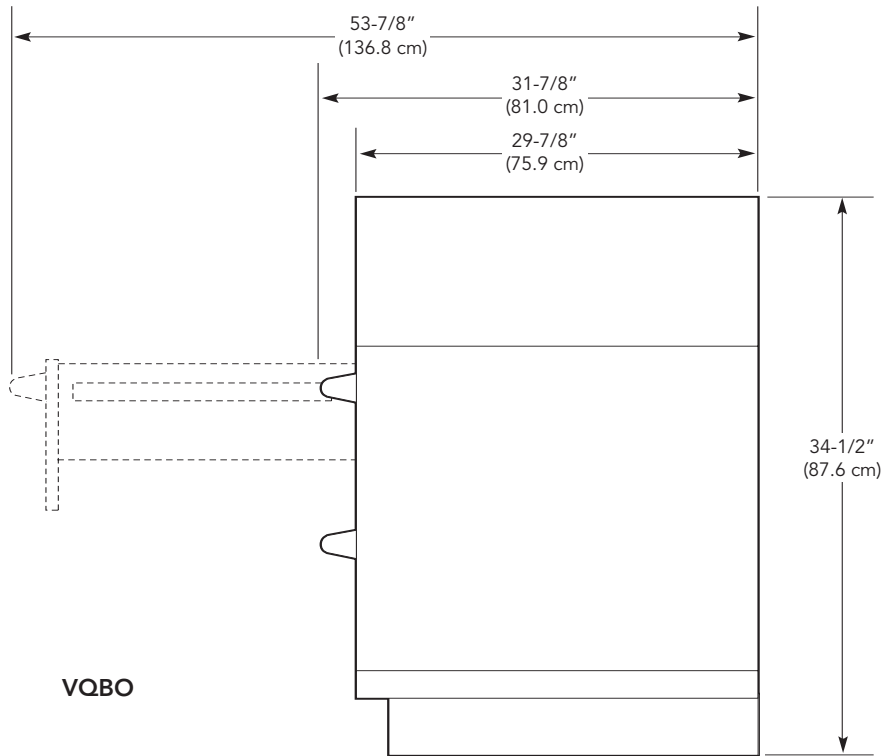
	VQWO4120	VQBO5322	VQWO5311
Overall width	41-7/8" (106.4 cm)	53-7/8" (136.8 cm)	53-7/8" (136.8 cm)
Overall height (from bottom)		34-1/2" (87.6 cm)	
Overall depth (from rear)		29-7/8" (75.9 cm)	
To end of handle brackets		31-7/8" (81.0 cm)	
With drawer open		53-7/8" (136.8 cm)	
Approx. ship wt. lbs. (kg)	226 (102.5)	279 (126.6)	265 (120.2)





Installation Requirements

DRAWER EXTENSIONS





★ Installation Notes & Accessories

Gas Grills

Note: Before installing grill onto base, remove the grill's drip tray, grates, flavor grids, and warming racks.

- See individual product pages for more information and additional specifications.

Model	Description	Approx. ship wt. lbs. (kg)
VGBQ030-2T	Premium T-Series 30"W. two-burner all grill	325 (147.5)
VGBQ300-2RT	Ultra-Premium T-Series 30"W. two-burner all grill	325 (147.5)
VGBQ300-2RE	Ultra-Premium E-Series 30"W. two-burner all grill	325 (147.5)
VGIQ300-2RT	Ultra-Premium T-Series 30"W. two-burner all grill w/TruSear	325 (147.5)
VGBQ410-3RT	Ultra-Premium T-Series 41"W. three-burner all grill	380 (172.5)
VGBQ410-3RE	Ultra-Premium E-Series 41"W. three-burner all grill	380 (172.5)
VGBQ412-2RT	Ultra-Premium T-Series 41"W. two-burner grill w/side burners	350 (158.9)
VGBQ412-2RE	Ultra-Premium E-Series 41"W. two-burner grill w/ side burners	350 (158.9)
VGIQ410-3RT	Ultra-Premium T-Series 41"W. three-burner all grill w/TruSear	380 (172.5)
VGIQ410-3RE	Ultra-Premium E-Series 41"W. three-burner all grill w/TruSear	380 (172.5)
VGBQ530-4RT	Ultra-Premium T-Series 53"W. four-burner all grill	460 (208.8)
VGBQ530-4RE	Ultra-Premium E-Series 53"W. four-burner all grill	460 (208.8)
VGBQ532-3RT	Ultra-Premium T-Series 53"W. three-burner grill w/side burners	490 (222.5)
VGBQ532-3RE	Ultra-Premium E-Series 53"W. three-burner grill w/side burners	490 (222.5)
VGIQ530-4RT	Ultra-Premium T-Series 53"W. four-burner all grill w/TruSear	460 (208.8)
VGIQ530-4RE	Ultra-Premium E-Series 53"W. four-burner all grill w/TruSear	460 (208.8)
VGIQ532-3RT	Ultra-Premium T-Series 53"W. three-burner grill w/side burners & TruSear	490 (222.5)
VGIQ532-3RE	Ultra-Premium E-Series 53"W. three-burner grill w/side burners & TruSear	490 (222.5)

Warming Drawers

- See individual product pages for more information and additional specifications.

Model	Description	Approx. ship wt. lbs. (kg)
VEWD173T	27"W. Outdoor warming drawer	95 (42.8)
VEWD103T	30"W. Outdoor warming drawer	108 (48.6)
VEWD163T	36"W. Outdoor warming drawer	124 (55.8)

Side Panels

- Heavy-duty stainless steel
- Panels finish sides of base cabinets at the end of a run
- Fit flush into recessed sides of cabinets
- Optional clip-on toe-kick included

Model	Description	Approx. ship wt. lbs. (kg)
VSP30	29-7/8"W. x 34-1/2"H. side panel	16 (7.3)

Back Panels

- Heavy-duty stainless steel
- For use in custom island installations
- Individual panels for each cabinet
- 3/4"-thick (adds to cabinet depth)
- Optional clip-on toe-kick included

Model	Description	Approx. ship wt. lbs. (kg)
VBP30	30"W. back panel (for VQBO3021/VQWO3010)	20 (9.1)
VBP41	41"W. back panel (for VQBO4121/VQWO4120)	25 (11.3)
VBP53	53"W. back panel (for VQBO5322/VQWO5311)	32 (14.5)





✦ Installation Notes & Accessories

Filler Strips, Pieces, & Outer Corner Panel Kits

- Strips separate cabinets and create turns
- Mount sides flush with doors, NOT cabinet face
- Fit flush into recessed sides of cabinets
- Optional clip-on toe-kick included

Model	Description	Approx. ship wt. lbs. (kg)
VCF90	Corner filler piece (each side is 4"W.)—for 90° bends	5 (2.3)
VCF135	Corner filler piece (each side is 4"W.)—for 135° bends	5 (2.3)
VFLR4	General filler strip (4"W.)—for separating appliance-based cabinets	5 (2.3)
VBPFLR4	4"W. back panel (for use w/VFLR4)	5 (2.3)
VOCF90	Outer corner filler panel kit (each side is 4"W.)— for connecting 2 back panels at 90° angle and adding countertop support	40 (18.1)
VOCF135	Outer corner filler panel kit (each side is 4"W.)— for connecting 2 back panels at 135° angle and adding countertop support	40 (18.1)

WARRANTY SUMMARY*

- One-year full warranty—complete product
- Two-year limited warranty—door hinges and drawer slides
- Lifetime limited warranty—rust through on all stainless steel components
- Ninety-day limited warranty—cosmetic parts such as glass, painted, and decorative items

* For complete warranty see *Use & Care Guide*. Warranty valid on Viking products shipped within the United States and Canada.

