



Standard Features & Accessories

All models include

- Commercial-type construction, design, and styling
 - All cabinets are constructed completely of heavy-duty stainless steel
 - Professional-style handle(s) match the look of Viking outdoor appliances
- 30"D.
- Provides essential counter and storage space
- Heavy-duty, adjustable legs (same as used on ranges)
- Cabinets must be installed with locally-supplied countertop
- Optional clip-on toe kick included

VBO1811 model

- For use in general cabinet runs
- One drawer equipped with full extension slides
- One door

VBO1830 model

- For use in general cabinet runs
- Three drawers equipped with full extension slides

VSBO2402/3602 models

- For general use in cabinet runs
- Accommodates multiple sink sizes (sold separately)
- Two doors may be adjusted to mount left or right hinge
 - Fully-concealed hinges

VTPO1810 model

- For general use in cabinet runs
- Accommodates two trash bins (included)
- Drawer (one) equipped with full extension slides

Model Options



VBO1811
18"W. base cabinet
(one-drawer, one-door)



VBO1830
18"W. base cabinet
(three-drawer)



VSBO2402/3602*
24"W./36"W.
sink cabinets



VTPO1810
18"W. trash
pullout cabinet

FINISH DETAILS FOR ALL MODELS

- Stainless Steel (SS)

*Shown throughout with sink, sold separately.





★ Please see Installation Notes and Accessories for important information, including side panels and filler strips.

Dimensions & Specifications

PRODUCT DIMENSIONS



VBO1811
18"W. base cabinet
(one-drawer, one-door)



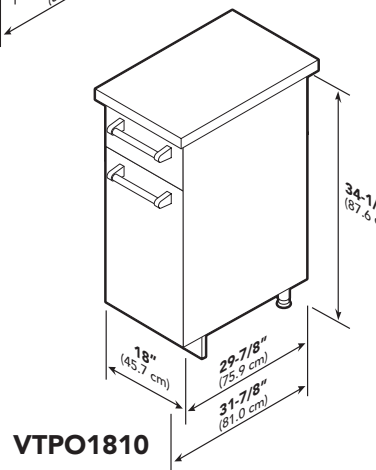
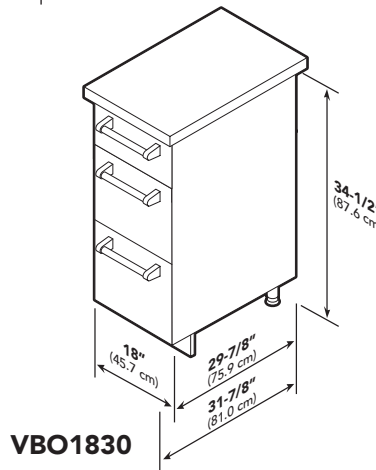
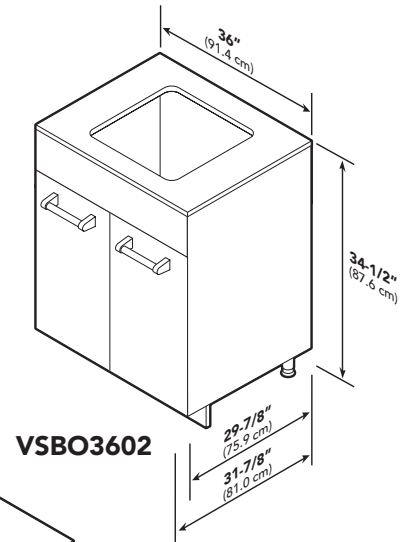
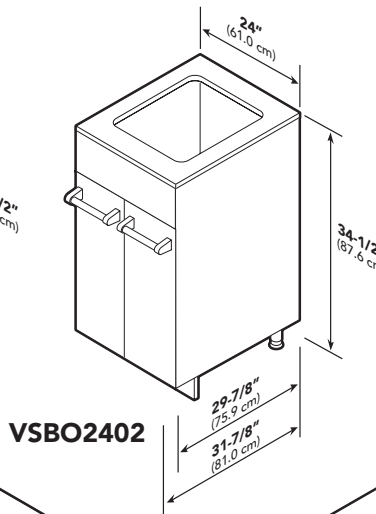
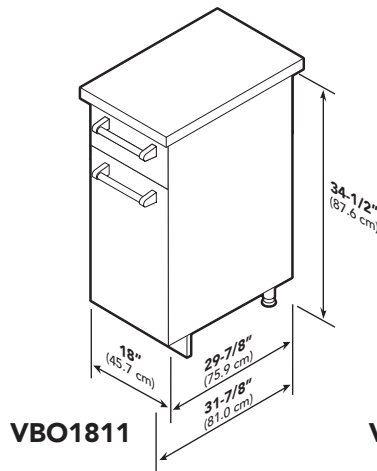
VBO1830
18"W. base cabinet
(three-drawer)



VSBO2402/3602
24"W./36"W.
sink cabinets



VTPO1810
18"W. trash
pullout cabinet

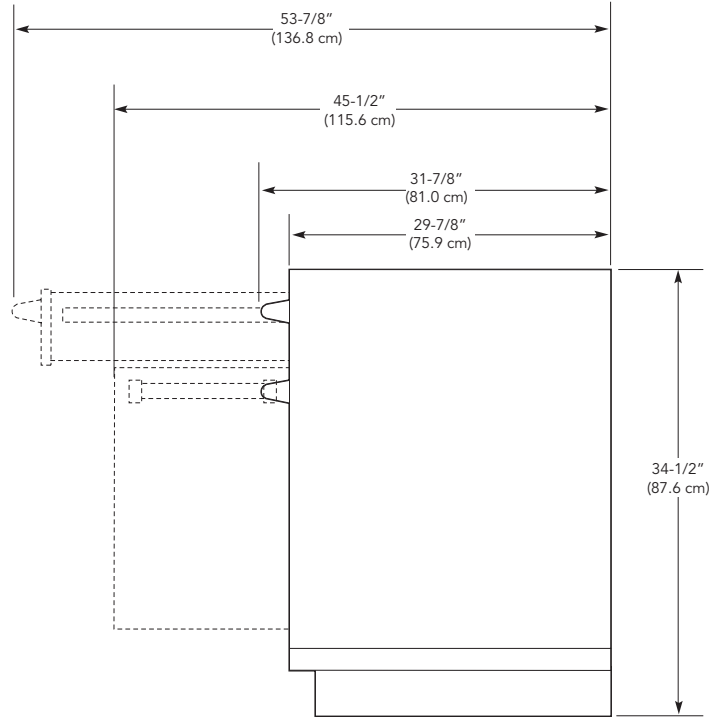


	VBO1811	VBO1830	VSBO2402	VSBO3602	VTPO1810
Overall width (including doors)	18" (45.7 cm)	18" (45.7 cm)	24" (61.0 cm)	36" (91.4 cm)	18" (45.7 cm)
Overall height (from bottom)	34-1/2" (87.6 cm)				
Overall depth (from rear)	29-7/8" (75.9 cm)				
To end of handle brackets	31-7/8" (81.0 cm)				
With drawer open	53-7/8" (136.8 cm)				
Approx. ship wt. lbs. (kg)	141 (63.7)	156 (70.8)	165 (74.8)	180 (81.7)	145 (65.8)

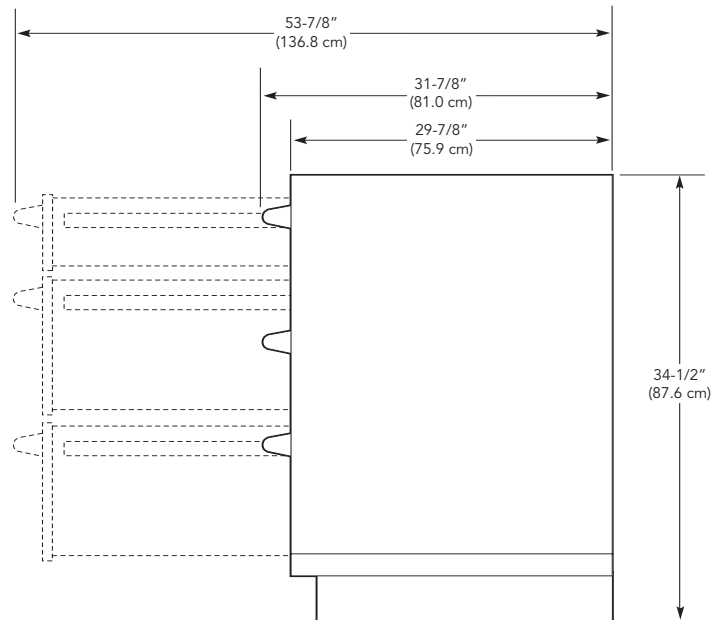


Dimensions & Specifications

DRAWER EXTENSION & DOOR SWING



VBO1811

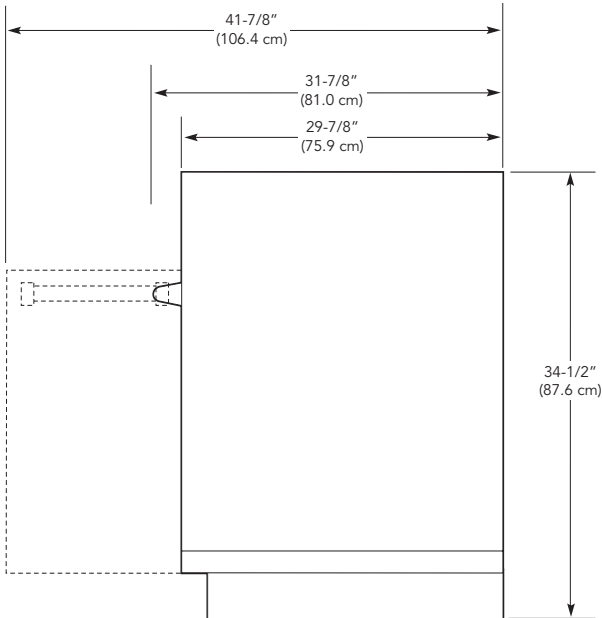


VBO1830

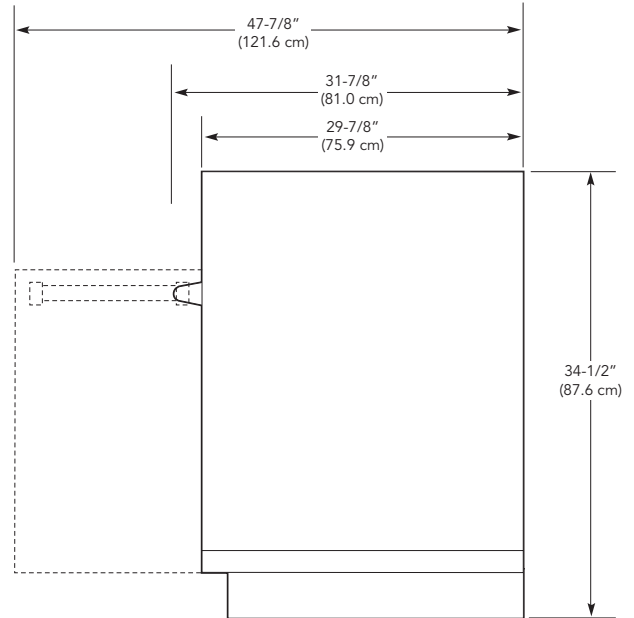


Dimensions & Specifications

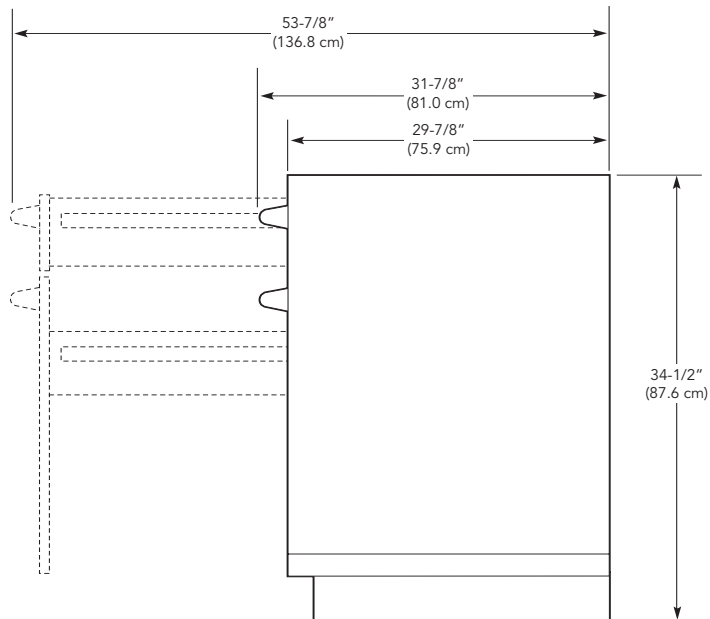
DRAWER EXTENSION & DOOR SWING



VSBO2402



VSBO3602



VTPO1810



✦ Installation Notes & Accessories

Side Panels

- Heavy-duty stainless steel
- Panels finish sides of base cabinets at the end of a run
- Fit flush into recessed sides of cabinets
- Optional clip-on toe-kick included

Model	Description	Approx. ship wt. lbs. (kg)
VSP30	30"W. x 29-3/4"H. side panel	16 (7.3)

Back Panels

- Heavy-duty stainless steel
- For use in custom island installations
- Individual panels for each cabinet
- 3/4"-thick (adds to cabinet depth)
- Optional clip-on toe-kick included

Model	Description	Approx. ship wt. lbs. (kg)
VBP18	18"W. back panel (for VBO1811/1830 & VTPO1810)	12 (5.4)
VBP24	24"W. back panel (for VSBO2402)	15 (6.8)
VBP36	36"W. back panel (for VSBO3602)	23 (10.4)

Filler Strips, Pieces, & Other Corner Panel Kits

- Strips separate cabinets and create turns
 - Mount sides flush with doors, NOT cabinet face
- Fit flush into recessed sides of cabinets
- VOCF90 & VOCF135 shipped with two unattached back panels
- Optional clip-on toe-kick included

Model	Description	Approx. ship wt. lbs. (kg)
VCF90	Corner filler piece (each side is 4"W.)—for 90° bends	5 (2.3)
VCF135	Corner filler piece (each side is 4"W.)—for 135° bends	5 (2.3)
VFLR4	General filler strip (4"W.)—for separating appliance-based cabinets	5 (2.3)
VBPFRLR4	4"W. back panel (for use w/VFLR4)	5 (2.3)
VOCF90	Outer corner filler panel kit (each side is 4"W.)— for connecting 2 back panels at 90° angle and adding countertop support	40 (18.1)
VOCF135	Outer corner filler panel kit (each side is 4"W.)— for connecting 2 back panels at 135° angle and adding countertop support	40 (18.1)

WARRANTY SUMMARY*

- One-year full warranty—complete product (w/in-home repairs)
- Lifetime limited warranty—all stainless steel components (includes rust-through)
- Two-year limited warranty—door hinges/drawer slides
- Ninety-day limited warranty—cosmetic parts (glass, painted, & decorative items)

* For complete warranty see *Use & Care Guide*. Warranty valid on Viking products shipped within the United States and Canada.

