



# OUTDOOR—COOKING

## C<sup>4</sup>™ Charcoal Ceramic Cooking Capsule™ & C<sup>4</sup>™ Cooker Cart



### Standard Features & Accessories

#### VCQS001 model includes

- Cooking surface is 315 sq. inches (800.1 cm), which provides plenty of grilling surface for large food items
- Commercial-type construction, design, and styling
  - Constructed from durable, 18-gauge spun stainless steel
  - Thick ceramic interior provides rigidity and sturdiness to canopy
  - Canopy is equipped with spring hinge assembly for easy opening and closing
- Precise temperature control combined with Elliptical™ airflow, which circulates heat, locks in natural flavors, and allows great cooking versatility:
  - Grill hamburgers
  - Smoke turkeys
  - Barbeque ribs
  - Sear steaks and chops
  - Bake side dishes and desserts
- Dampers at the bottom and top of grill regulate airflow
  - Open dampers to increase temperature for grilling
  - Close dampers to lower temperature for slow smoking
- Provides a natural and true flavor to foods
- Advanced ceramic interior provides maximum heat retention for faster cooking times
  - Heat reflects off ceramic interior, cooking foods from all angles while locking in flavor and juices
- Heavy-duty, porcelain-coated cooking grids
  - Virtually non-stick, easy-to-clean surface
- Canopy thermometer gives approximate readings from 150° – 750°F (65° – 399°C)
- Natural lump charcoal recommended—burns hotter and longer than regular charcoal briquettes
- Ash removal tool comes standard
- Must be installed in a cart (**sold separately**—see **Installation Notes & Accessories**)

#### All cart models include

- Heavy-duty, stainless steel construction
- Four large black locking casters provide maneuverability and stability, and allow unit to fit flush against wall
- C<sup>4</sup>™ Cooker must be installed with one of these three carts

#### QSC200 model includes

- Minimalist design, to take up the least amount of space

#### QSC300/412 models include

- Two stainless steel 16"W. x 24"D. fold-down side shelves
- Towel/utensil rod
- Large capacity storage drawer for shielding items from the elements

#### QSC412 model includes

- Two 15,000 BTU side burners
  - Electronic ignition powered by a 9-volt battery
  - Equipped with porcelain-coated "V" grates
- Protective stainless steel cover
- Large capacity storage door/shelf

### Model Options



VCQS001  
C<sup>4</sup>™ Cooker  
w/QSC200  
20"W. C<sup>4</sup> Cooker Cart



VCQS001  
C<sup>4</sup>™ Cooker  
w/QSC300  
30"W. C<sup>4</sup> Cooker Cart



VCQS001  
C<sup>4</sup>™ Cooker  
w/QSC412  
41"W. C<sup>4</sup> Cooker Cart  
w/Side Burners

#### FINISH DETAILS

- Stainless Steel (SS)





# OUTDOOR—COOKING

## C<sup>4</sup>™ Charcoal Ceramic Cooking Capsule™ & C<sup>4</sup>™ Cooker Cart



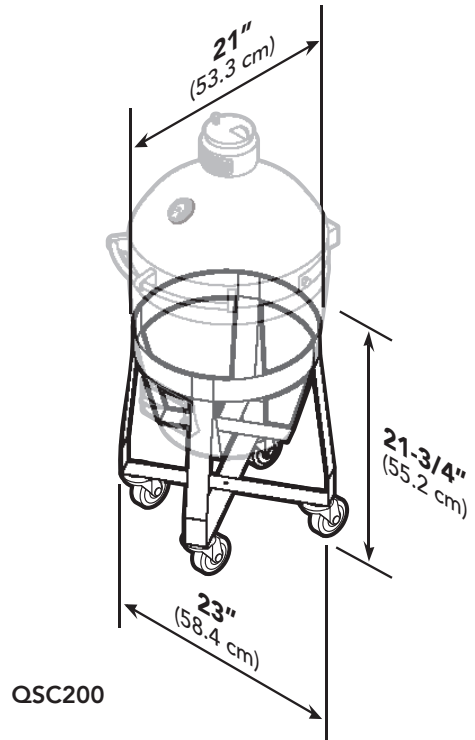
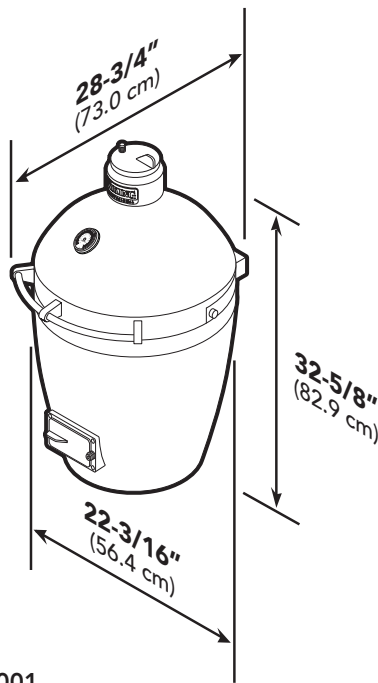
★ Please see Installation Notes and Accessories for important information, including protective covers and water pan/rack.

### Dimensions & Specifications

#### PRODUCT DIMENSIONS



VCQS001  
C<sup>4</sup>™ Cooker  
w/QSC200  
20" W. C<sup>4</sup> Cooker Cart



	VCQS001	QSC200
Overall width	22-3/16" (56.4 cm)	23" (58.4 cm)
Overall height		
With dome fully open	43" (109.2 cm)	N/A
With dome closed	32-5/8" (82.9 cm)	N/A
To top of cart (from bottom of wheels)	N/A	21-3/4" (55.2)
Overall depth	28-3/4" (73.0 cm)	21" (53.3)
Approx. ship wt. lbs. (kg)	190 (85.5)	50 (22.5)





# OUTDOOR—COOKING

## C<sup>4</sup>™ Charcoal Ceramic Cooking Capsule™ & C<sup>4</sup>™ Cooker Cart



★ Please see Installation Notes and Accessories for important information, including cooker and protective covers.

### Dimensions & Specifications

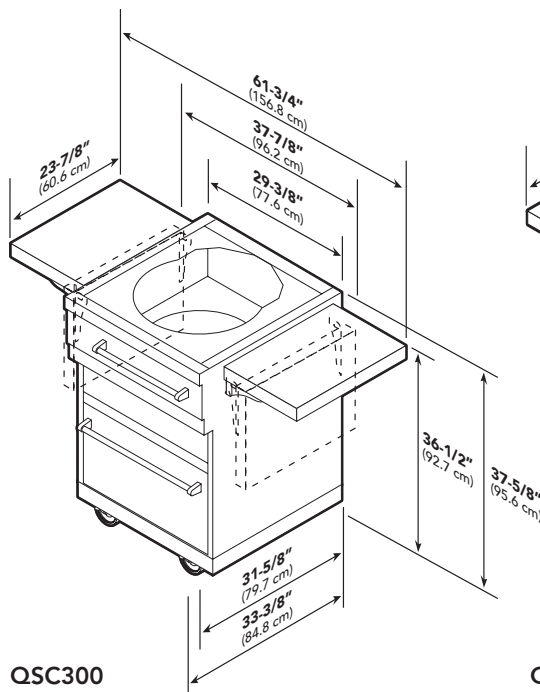
#### PRODUCT DIMENSIONS



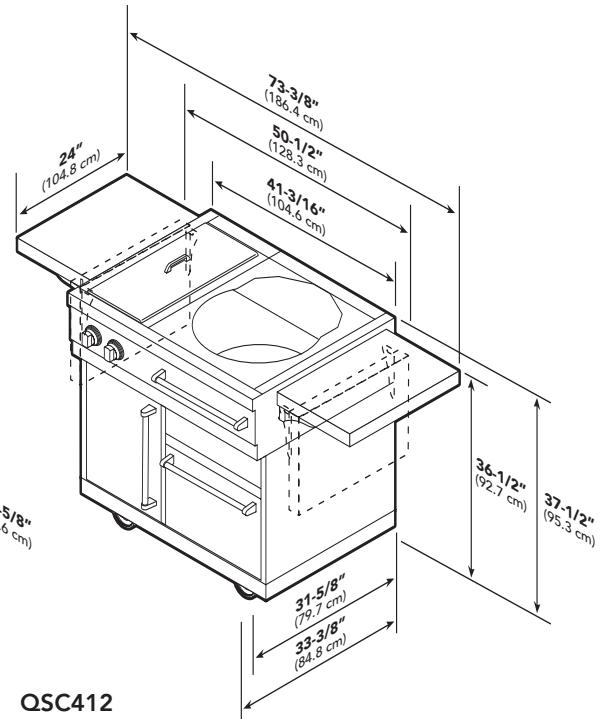
**VCQS001**  
C<sup>4</sup>™ Cooker  
w/QSC300  
30"W. C<sup>4</sup> Cooker Cart



**VCQS001**  
C<sup>4</sup>™ Cooker  
w/QSC412  
41"W. C<sup>4</sup> Cooker Cart  
w/Side Burners



**QSC300**



**QSC412**

	<b>QSC300</b>	<b>QSC412</b>
Overall width		
Across top edge	29-3/8" (77.6 cm)	41-3/16" (104.6)
With shelves folded down	37-7/8" (96.2 cm)	50-1/2" (128.3 cm)
With both shelves extended*	61-3/4" (156.8 cm)	73-3/8" (186.4 cm)
Overall height (from bottom of wheels)		
To top of cart	37-5/8" (95.6 cm)	37-1/2" (95.3 cm)
To top of shelf	36-1/2" (92.7 cm)	36-1/2" (92.7 cm)
Overall depth (from rear)		
To end of landing ledge	31-5/8" (79.7 cm)	31-5/8" (79.7 cm)
To end of handles	33-3/8" (84.8 cm)	33-3/8" (84.8 cm)
With door open	N/A	44-5/8" (113.5 cm)
With drawer open	53-1/8" (134.9 cm)	53-1/8" (134.9 cm)
Approx. ship wt. lbs. (kg)	170 (76.5)	275 (123.8)

\*Shelves can be removed, but you must take them off before installing cooker. (See Installation Instructions for removal.)





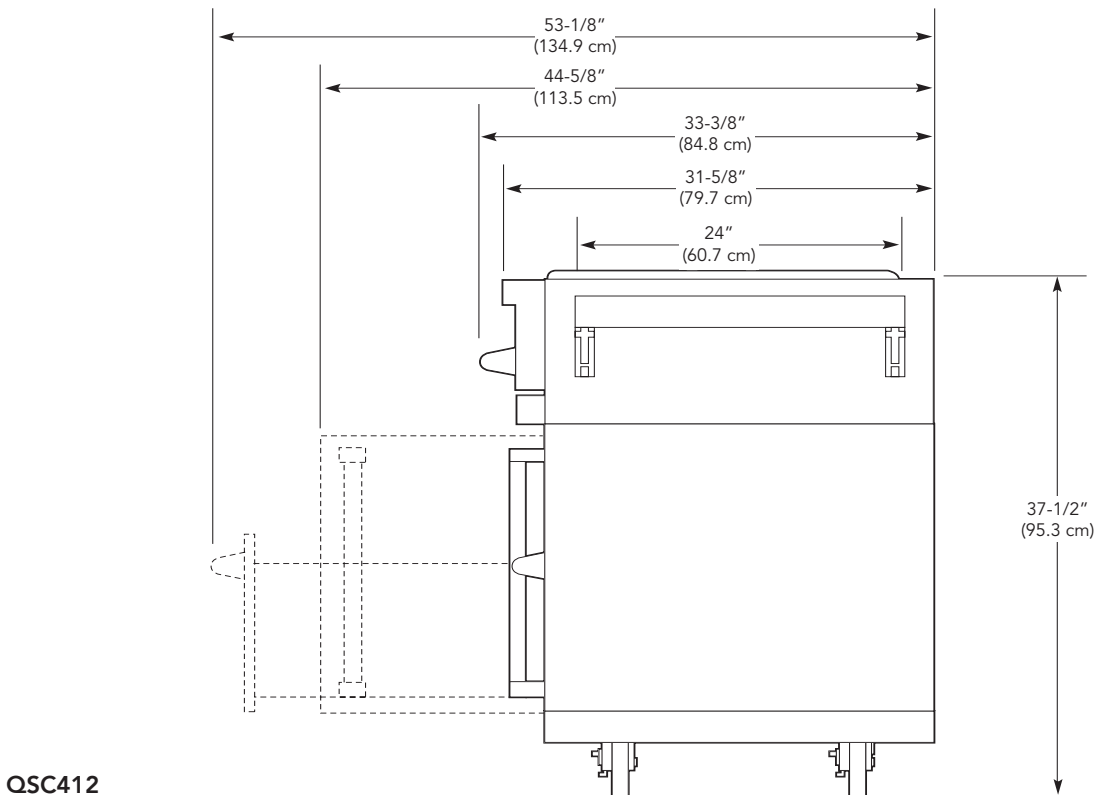
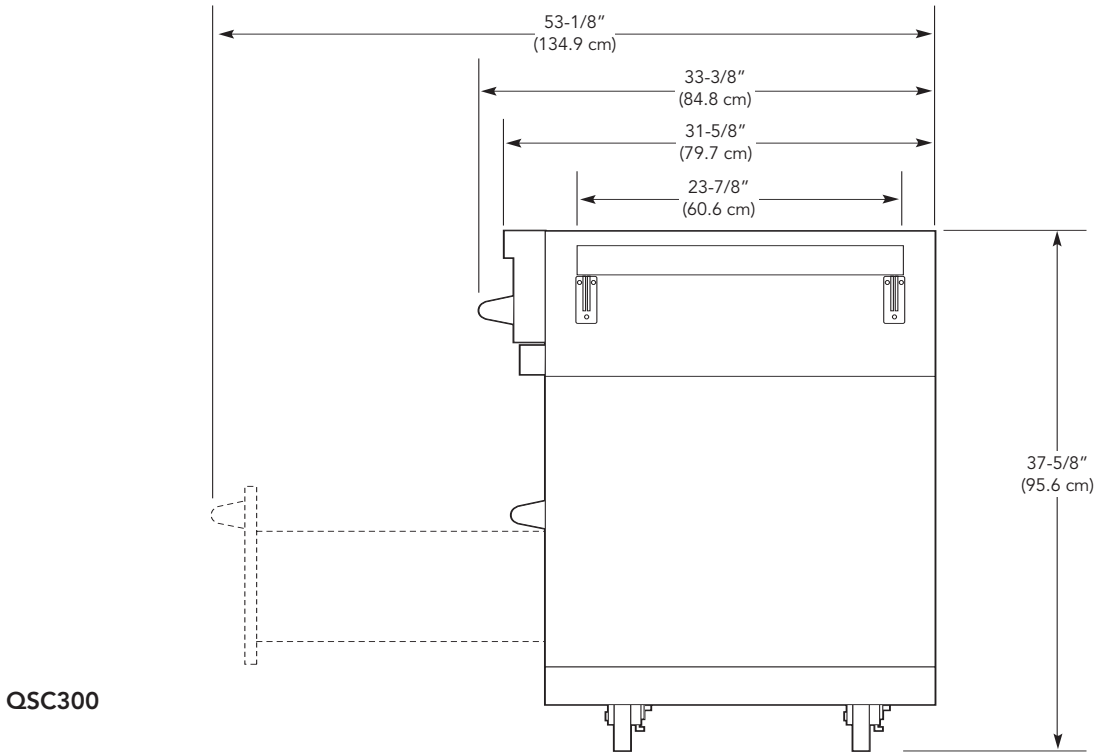
# OUTDOOR—COOKING

## C<sup>4</sup>™ Charcoal Ceramic Cooking Capsule™ & C<sup>4</sup>™ Cooker Cart



### Dimensions & Specifications

#### DRAWER EXTENSION & DOOR SWING





# OUTDOOR—COOKING

## C<sup>4</sup>™ Charcoal Ceramic Cooking Capsule™ & C<sup>4</sup>™ Cooker Cart



### Installation Requirements



**VCQS001**  
C<sup>4</sup>™ Cooker  
w/QSC200  
20"W. C<sup>4</sup> Cooker Cart



**VCQS001**  
C<sup>4</sup>™ Cooker  
w/QSC300  
30"W. C<sup>4</sup> Cooker Cart



**VCQS001**  
C<sup>4</sup>™ Cooker  
w/QSC412  
41"W. C<sup>4</sup> Cooker Cart  
w/Side Burners

### UTILITY REQUIREMENTS



#### **GAS** (41"W. QSC412 models only)

- Not applicable for QSC200/300 models
- Surface burner rating**
  - Two grated grill burners, each @ 15,000 BTU (4.4 kW) Nat./13,500 BTU LP (4.0 kW)
- Fixed piping installations\***
  - Check with local gas utility company or with local codes for instructions on installing gas supply lines. All gas connections should be made by a competent technician and in accordance with local codes and ordinances. In the absence of codes, the installation must comply with the National Fuel Gas Code ANSI Z223.1.
  - An installer-supplied gas shut-off valve must be installed in an easily accessible location. All installer-supplied parts must conform to local codes.
  - Must be isolated from the gas supply piping system by closing its individual manual shut-off valve during any pressure testing of that system at test pressures equal to or less than 1/2 psi (3.5 kPa).

#### **Natural gas models**

- Water column pressure
  - o Operating pressure—4.0" WCP

- o Supply pressure of 6" – 14" WCP
- o If incoming pressure exceeds 14" WCP, a step-down regulator is required.
- Accepts standard residential 1/2" (1.3 cm) ID gas service line; 1/2" (1.3 cm) NPT male with 7/8" (2.2 cm) flare adapter.
  - o If using a Viking GSH12 flexible hose, remove the 1/2" (1.3 cm) flare adapter and attach hose to the 7/8" (2.2 cm) male flare on the regulator assembly.

#### **LP/propane models**

- Water column pressure
  - o Operating pressure—10" WCP
  - o Supply pressure of 11" – 14" WCP (for fixed piping installations)
  - o If incoming pressure exceeds 14" WCP, a step-down regulator is required.
- Accepts standard residential 1/2" (1.3 cm) ID gas service line; 1/2" (1.3 cm) NPT male with 3/8" (0.95) flare adapter.

#### **LP/propane tank installations**

- Water column pressure
  - o Operating pressure—10" WCP
  - o Includes high-capacity hose/regulator assembly for

- connection to a standard 5-gal./20-lb. (approx. 12" diameter/18"V.H.) LP/propane gas cylinder equipped with a Type 1, QCC-1 connector
  - The cylinder connection device must be compatible with the Type 1, QCC-1 connector on the outdoor cooking appliance.
  - The cylinder must be provided with a shut-off valve terminating in an LP/propane gas supply cylinder valve outlet specified.
- The cylinder supply system must be arranged for vapor withdrawal and provided with a listed OPD (overfilling prevention device).



#### **ELECTRICAL**

- Not applicable for QSC200/300 models
- 9-volt DC battery for electronic ignition (QSC412 model (side burners))



#### **PLUMBING**

Not applicable

\* For fixed pipe fuel installations, remember to place the installer-supplied gas valve in an accessible location.

#### **Cabinet proximity**

The cart can be installed directly adjacent to side cabinets. There is 0" side clearance to non-combustible and combustible surfaces. Maintain a minimum of 6" (15.2 cm) from the back of the unit to allow cooker dome to open fully.





# OUTDOOR—COOKING

## C<sup>4</sup>™ Charcoal Ceramic Cooking Capsule™ & C<sup>4</sup>™ Cooker Cart



### ✦ Installation Notes & Accessories

#### Vinyl Covers

- Sturdy, reinforced vinyl exterior
- felt-lined interior for protection

Model	Description	Approx. ship wt. lbs. (kg)
CV20C4-C	Cover for 20"W. C <sup>4</sup> ™ cart	5 (2.3)
CV30C4-C	Cover for 30"W. C <sup>4</sup> ™ cart	8 (3.6)
CV41C4-CSB	Cover for 41"W. C <sup>4</sup> ™ cart & side burners	10 (4.5)

#### Water Pan/Rack

- Constructed of stainless steel to resist rust
- Large capacity pan holds one gallon of water—enough for approximately 6 hours of cooking
- Rigid stainless steel rack holds pan securely

Model	Description	Approx. ship wt. lbs. (kg)
CWP	Water pan/rack set	3 (1.4)

#### Compliance Information



#### WARRANTY SUMMARY\*

- One-year full warranty—complete product
- Lifetime limited warranty—rust through on all stainless steel components
- Two-year limited warranty—door hinges and drawer slides
- Ninety-day limited warranty—cosmetic parts such as glass, painted, & decorative items

\* For complete warranty see *Use & Care Guide*. Warranty valid on Viking products shipped within the United States and Canada.

