



Standard Features & Accessories

All models include

- Adjustable duct cover (for 8 – 9' ceilings) is standard
- Must also purchase interior, exterior or in-line ventilator kit, sold separately (see **Installation Notes & Accessories** for recommended Viking ventilator products)
- Heat sensor turns the ventilator on full power when cooking temperatures reach uncomfortable levels
- Variable speed controls for custom venting—separate on/off switch allows you to leave ventilator at favorite/most-used setting
- 12-hour timer built into ventilator controls
- Delay feature allows you to set the ventilator to shut off on its own from 10 to 30 minutes later
- 24"D. (tests show 24"D. hoods perform properly over 27"D. ranges)
- Heavy-duty construction; sleek, contemporary design and styling
- o Virtually seamless stainless steel design with no visible screws
- Easy cleanup
 - o Dishwasher-safe, stainless steel mesh filters efficiently remove grease and heated vapors from the air, and are easily removed for quick cleaning (frame and mesh are stainless steel)
 - See **Dimensions & Specifications** table for number of filters per model
 - o Design of low-profile filter system means less interior hood space to be cleaned
 - o Canopy interior is completely lined in stainless steel for increased rigidity, seamless appearance, and easy cleaning
- 50-watt halogen lights with dimmer control
- Power switch and dimmer control are separate, allowing you to leave dimmer at favorite position
 - o See **Dimensions & Specifications** table for number of lights per model

Model numbers

CLASSIC CHIMNEY WALL HOODS

- DCWH3042—30"W./12"H.
- DCWH3644—36"W./14"H.
- DCWH4244—42"W./14"H.
- DCWH4844—48"W./14"H.

CLASSIC CHIMNEY WALL HOODS WITH LEDGE

- DCWL3342—33"W./12"H.
- DCWL3944—39"W./14"H.
- DCWL4544—45"W./14"H.
- DCWL5144—51"W./14"H.

CLASSIC CHIMNEY WALL HOODS, LEDGELESS

- DCWN3042—30"W./12"H.
- DCWN3644—36"W./14"H.
- DCWN4244—42"W./14"H.
- DCWN4844—48"W./14"H.

Model Options



**DCWH Designer
Chimney Wall Hood***



**DCWL Designer
Chimney Wall Hood
w/Ledge***



**DCWN Designer
Chimney Ledgeless
Wall Hood***

FINISH DETAILS

- Stainless Steel (SS), Black (BK), White (WH), Metallic Silver (MS), Graphite Gray (GG), Stone Gray (SG), Taupe (TP), Biscuit (BT), Cotton White (CW), Oyster Gray (OG), Golden Mist (GM), Lemonade (LE), Sage (SA), Mint Julep (MJ), Sea Glass (SE), Iridescent Blue (IB), Viking Blue (VB), Pumpkin (PM), Racing Red (RR), Apple Red (AR), Burgundy (BU), Plum (PL), Chocolate (CH), and Cobalt Blue (CB).
- Accessory Rail Option*—Front of hood. (Must be ordered factory installed. Rail not available on ledge & ledgeless models.)
- o Stainless Steel/Chrome (CR)—Stainless steel rail with chrome supports/brackets and hooks (included).
- o Brass Rail Option (BR)—nameplate, rail, supports/brackets, and hooks (included). Brass components have a durable protective coating for maintenance-free normal use.

*Shown throughout with adjustable duct cover, included.

ORDERING INSTRUCTIONS

First specify model number, followed by color code (DCWH3042**SS**). If ordering optional decorative rail, specify code at end (DCWH3042**SSCR**).



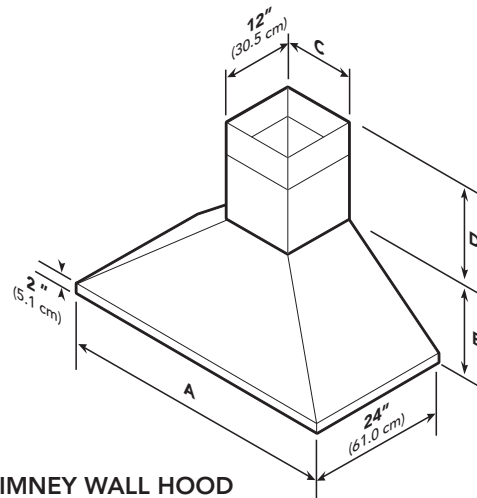
★ Please see Installation Notes & Accessories for important information, including ventilator kits, duct covers, backsplashes, and warming shelf panels.

Dimensions & Specifications

PRODUCT DIMENSIONS



DCWH Designer
Chimney Wall Hood



CHIMNEY WALL HOOD

Model	Hood		Duct Cover		Lights	Filters	Heat Lamps	Approx. Ship. wt.	
	Width (A)	Height (B)	Width (C)	Depth					Height (D)
DCWH3042	29-7/8" (75.9 cm)	12" (30.5 cm)	10" (25.4 cm)	12" (30.5 cm)	18" (45.7 cm)— 30" (76.2 cm)	2	2	N/A	51 lbs. (23.1 kg)
DCWH3644	35-7/8" (91.1 cm)	14" (35.6 cm)	12" (30.5 cm)	12" (30.5 cm)	16" (40.6 cm)— 28" (71.1 cm)	2	2	N/A	61 lbs. (27.7 kg)
DCWH4244	41-7/8" (106.4 cm)	14" (35.6 cm)	12" (30.5 cm)	12" (30.5 cm)	16" (40.6 cm)— 28" (71.1 cm)	2	3	N/A	71 lbs. (32.2 kg)
DCWH4844	47-7/8" (121.6 cm)	14" (35.6 cm)	18" (45.7 cm)	12" (30.5 cm)	16" (40.6 cm)— 28" (71.1 cm)	3	3	N/A	82 lbs. (37.2 kg)



★ Please see **Installation Notes & Accessories** for important information, including ventilator kits, duct covers, backsplashes, and warming shelf panels.

Dimensions & Specifications

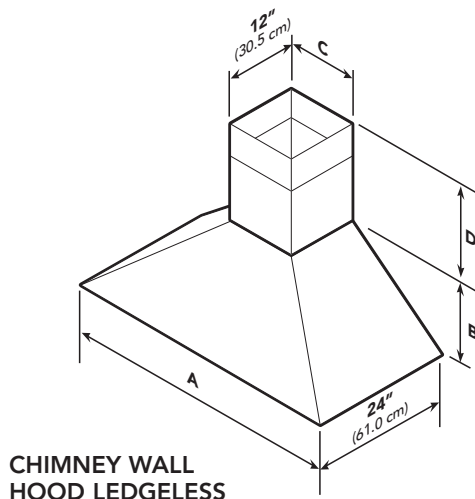
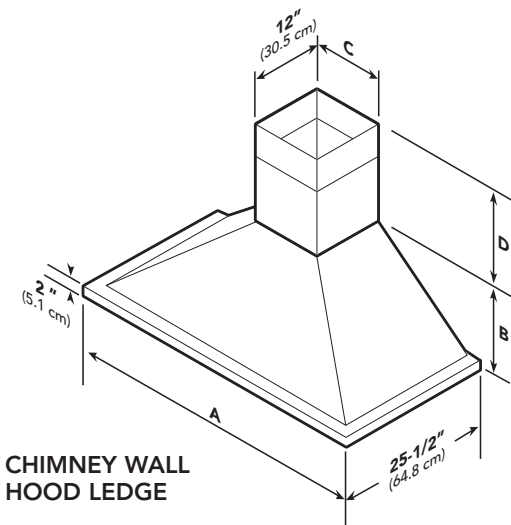
PRODUCT DIMENSIONS



DCWL Designer Chimney Wall Hood w/Ledge



DCWN Designer Chimney Ledgeless Wall Hood

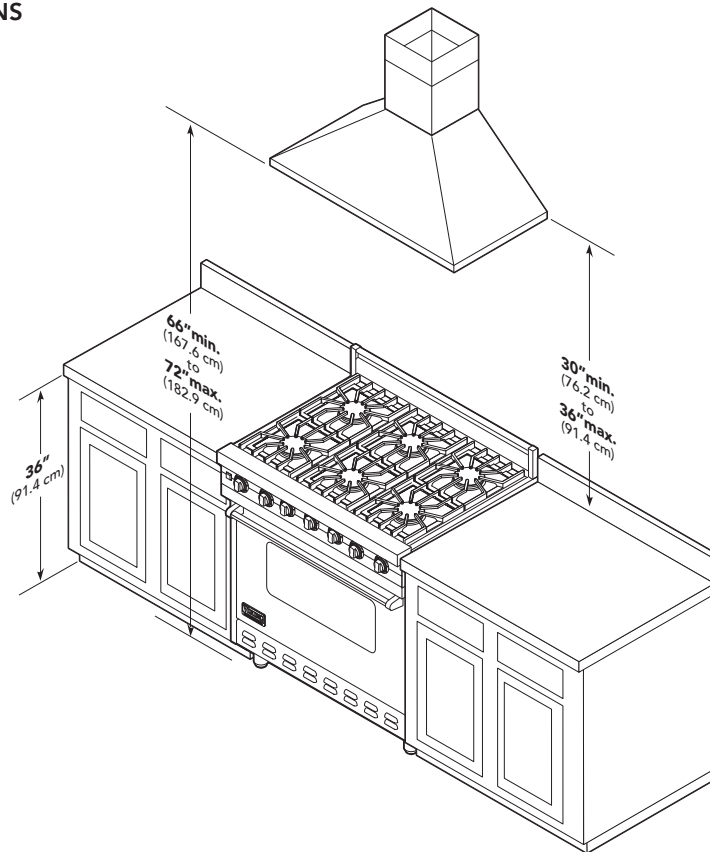


Model	Hood		Duct Cover			Lights	Filters	Heat Lamps	Approx. Ship. wt.
	Width (A)	Height (B)	Width (C)	Depth	Height (D)				
DCWL3342	32-7/8" (83.5 cm)	12" (30.5 cm)	10" (25.4 cm)	12" (30.5 cm)	18" (45.7 cm)— 30" (76.2 cm)	2	2	N/A	54 lbs. (24.5 kg)
DCWL3944	38-7/8" (98.4 cm)	14" (35.5 cm)	12" (30.5 cm)	12" (30.5 cm)	16" (40.6 cm)— 28" (71.1 cm)	2	2	N/A	64 lbs. (29.0 kg)
DCWL4544	44-7/8" (114.0 cm)	14" (35.5 cm)	12" (30.5 cm)	12" (30.5 cm)	16" (40.6 cm)— 28" (71.1 cm)	2	3	N/A	74 lbs. (33.6 kg)
DCWL5144	50-7/8" (129.2 cm)	14" (35.5 cm)	18" (45.7 cm)	12" (30.5 cm)	16" (40.6 cm)— 28" (71.1 cm)	3	3	N/A	85 lbs. (38.6 kg)
DCWN3042	29-7/8" (75.9 cm)	12" (30.5 cm)	10" (25.4 cm)	12" (30.5 cm)	18" (45.7 cm)— 30" (76.2 cm)	2	2	N/A	51 lbs. (23.1 kg)
DCWN3644	35-7/8" (91.1 cm)	14" (35.5 cm)	12" (30.5 cm)	12" (30.5 cm)	16" (40.6 cm)— 28" (71.1 cm)	2	2	N/A	61 lbs. (27.7 kg)
DCWN4244	41-7/8" (106.4 cm)	14" (35.5 cm)	12" (30.5 cm)	12" (30.5 cm)	16" (40.6 cm)— 28" (71.1 cm)	2	3	N/A	71 lbs. (32.2 kg)
DCWN4844	47-7/8" (121.6 cm)	14" (35.5 cm)	18" (45.7 cm)	12" (30.5 cm)	16" (40.6 cm)— 28" (71.1 cm)	3	3	N/A	82 lbs. (37.2 kg)

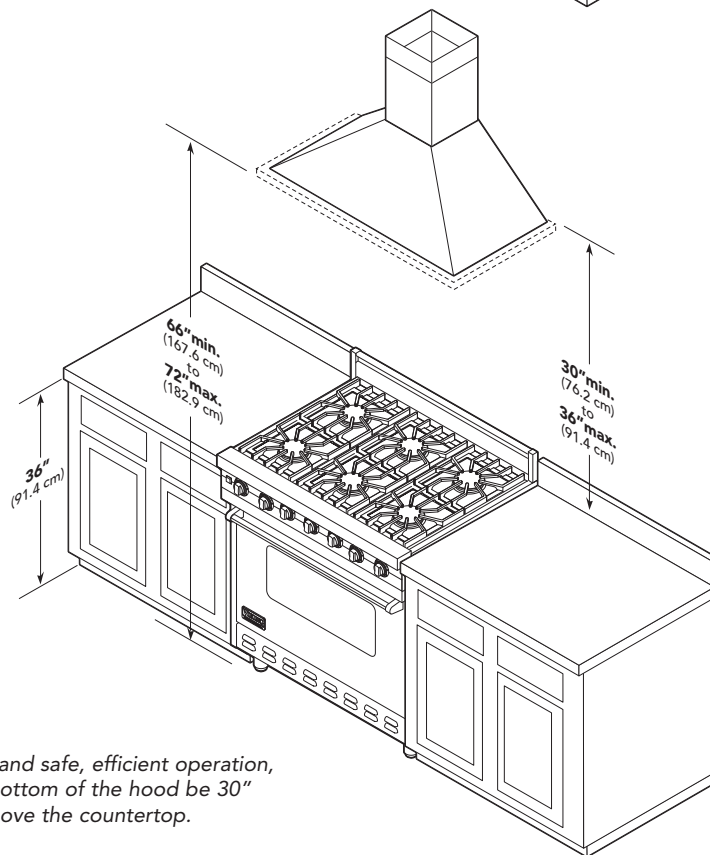


Dimensions & Specifications

CLEARANCE DIMENSIONS



CHIMNEY WALL HOOD



**CHIMNEY WALL HOOD
LEDGE/LEDGELESS**

Note: For best performance and safe, efficient operation, it is recommended that the bottom of the hood be 30" (76.2 cm) to 33" (83.8 cm) above the countertop.



Installation Requirements



**DCWH Designer
Chimney Wall Hood**



**DCWL Designer
Chimney Wall Hood
w/Ledge**



**DCWN Designer
Chimney Ledgeless
Wall Hood**

UTILITY REQUIREMENTS

Proper installation/ducting is extremely important to ensure maximum performance. Use a qualified and trained installer.



VENTILATION

- Check with a qualified and trained installer or local codes for makeup air requirements, if any.
- Max. duct run
 - o For 300 – 1,200 CFM—50' (15.2 m)
 - o For 1,500 CFM—75' (22.9 m)
 - o Duct run length is for general reference only; always use a qualified and trained installer.



GAS

Not applicable

- o Straight runs and gradual turns are best; for example, each 90° elbow is equivalent to 5' – 10' (1.52 – 3.05 m) of straight run.
- 7' round duct for 300 – 600 CFM; 10' for 900 – 1500 CFM
 - o Never use flexible duct; it creates back pressure/air turbulence and greatly reduces performance.



ELECTRICAL

- Hardwire direct with two-wire with ground
- 120 VAC/60 Hz
- Max. amp usage (rating includes rec. ventilator kit rating)



PLUMBING

Not applicable

Note: All CFMs are based on tests with 0.1 static pressure. Without applying static pressure (some brands do not), CFM could be greatly overstated.

Model	Ventilator kits		Duct size		Max. amps	
	Interior	Exterior	Interior	Exterior	Interior	Exterior
DCWH3042	DIV300/DIV440	DEV900/DEV1200 DIL900/1200	7" (17.8 cm)	10" (25.4 cm)	1.7/3.2	6.6/3.9
DCWH3644	DIV300/DIV600*	DEV900/DEV1200* DIL900/1200	7" (17.8 cm)	10" (25.4 cm)	1.7/3.9	6.6/3.9
DCWH4244	DIV600	DEV900/DEV1200* DIL900/1200	7" (17.8 cm)	10" (25.4 cm)	3.9	6.6/3.9
DCWH4844	DIV1200*	DEV1200/DEV1500** DIL1200	10" (25.4 cm)	10" (25.4 cm)	7.3	4.3/5.1
DCWL3342	DIV300/DIV440	DEV900/DEV1200 DIL900/1200	7" (17.8 cm)	10" (25.4 cm)	1.7/3.2	6.6/3.9
DCWL3944	DIV300/DIV600*	DEV900/DEV1200* DIL900/1200	7" (17.8 cm)	10" (25.4 cm)	1.7/3.9	6.6/3.9
DCWL4544	DIV600	DEV900/DEV1200* DIL900/1200	7" (17.8 cm)	10" (25.4 cm)	3.9	6.6/3.9
DCWL5144	DIV1200	DEV1200/DEV1500** DIL1200	10" (25.4 cm)	10" (25.4 cm)	7.3	4.3/5.1
DCWN3042	DIV300/DIV440	DEV900/DEV1200 DIL900/1200	7" (17.8 cm)	10" (25.4 cm)	1.7/3.2	6.6/3.9
DCWN3644	DIV300/DIV600*	DEV900/DEV1200* DIL900/1200	7" (17.8 cm)	10" (25.4 cm)	1.7/3.9	6.6/3.9
DCWN4244	DIV600	DEV900/DEV1200* DIL900/1200	7" (17.8 cm)	10" (25.4 cm)	3.9	6.6/3.9
DCWN4844	DIV1200*	DEV1200/DEV1500** DIL1200	10" (25.4 cm)	10" (25.4 cm)	7.3	4.3/5.1

* A 1,200 CFM interior- or exterior-power ventilator should be used when installed over range/rangetop with gas char-grill.

** It is recommended that the 1,500 CFM ventilator be used with longer duct runs.

Note: Maximum amp rating for hoods includes recommended ventilator kit rating. All products must be hard wired with two-wire ground. An interior- or exterior-power ventilator kit must be purchased for installation with all 18"H. hoods.



✪ Installation Notes & Accessories

Recommended Ventilator Kits

- See **Installation Requirements** table for recommendations for each hood model
- One ventilator, one duct run for any size hood/ventilator
- A 1,200 CFM interior or 1,500 CFM exterior (if applicable) ventilator should be used over ranges/rangetops with gas grill
- Must use Viking ventilator kits with Viking hoods; use of non-Viking kits voids product warranty

Kit model	Description	Hood models	Approx. ship wt. lbs. (kg)
DIV300	300 CFM interior-power	DCWH3042/3644, DCWL3342/3944, & DCWN3042/3644	15 (6.8)
DIV440	440 CFM interior-power	DCWH3042, DCWL3342, & DCWN3042	25 (11.3)
DIV600	600 CFM interior-power	DCWH3644/4244, DCWL3944/4544, & DCWN3644/4244	27 (12.2)
DIV1200	1,200 CFM interior-power	DCWH4844, DCWN5144, & DCWN4844	43 (19.4)
DEV900	900 CFM exterior-power	DCWH3042/3642/4244, DCWL3342/3944/4544, & DCWN3042/3644/4244	39 (17.6)
DEV1200	1,200 CFM exterior-power	DCWH3042/3644/4244/4844, DCWL3342/3944/4544/5144, & DCWN3042/3644/4244/4844	53 (23.9)
DEV1500	1,500 CFM exterior-power	DCWH4844, DCWL5144, & DCWN4844	47 (21.3)
DIL900	900 CFM in-line power	DCWH3042/3642/4244, DCWL3342/3944/4544, & DCWN3042/3644/4244	20 (9.1)
DIL1200	1,200 CFM in-line power	DCWH3042/3644/4244/4844, DCWL3342/3944/4544/5144, & DCWN3042/3644/4244/4844	25 (11.3)

Duct Cover Extensions

- For use with DCWH, DCWL, & DCWN hoods
- Extends height of hood by up to 12" (for 10' ceilings)
- Replaces adjustable duct cover supplied with hood
- Specify finish code following accessory model number (for example, DCCE1010-SS)
- Available in Stainless Steel (SS), Black (BK), White (WH), Metallic Silver (MS), Graphite Gray (GG), Stone Gray (SG), Taupe (TP), Biscuit (BT), Cotton White (CW), Oyster Gray (OG), Golden Mist (GM), Lemonade (LE), Sage (SA), Mint Julep (MJ), Sea Glass (SE), Iridescent Blue (IB), Viking Blue (VB), Pumpkin (PM), Racing Red (RR), Apple Red (AR), Burgundy (BU), Plum (PL), Chocolate (CH), and Cobalt Blue (CB).

Model	Description	Approx. ship wt. lbs. (kg)
DCCE1010	Duct cover extension (for 30" & 33"W. hoods—10"W. x 12"D. x 30" – 42"H.)	4 (1.8)
DCCE1210	Duct cover extension (for 30", 39", 42", & 45"W. hoods—12"W. x 12"D. x 28" – 40"H.)	6 (2.7)
DCCE1810	Duct cover extension (for 48" & 51"W. hoods—18"W. x 12"D. x 28" – 40"H.)	8 (3.6)

Backsplashes

- Stainless Steel (SS)
- 30"H.
- Backsplashes protect the wall space below hood
- Create a continuous finish between cooking surface and hood
- Low maintenance, easy to clean
- Hemmed edges with screw holes
- Kit includes backsplash and fastening screws

Model	Description	Approx. ship wt. lbs. (kg)
BKS30	30"W. backsplash	7 (3.2)
BKS36	36"W. backsplash	9 (4.1)
BKS42	42"W. backsplash	12 (5.4)
BKS48	48"W. backsplash	14 (6.3)
BKS54	54"W. backsplash	17 (7.7)



✦ Installation Notes & Accessories

Warming Shelf Panels

- Stainless Steel (SS)
- 12"D./12"H.
- Shelf panels hold cookware and condiments
- Fold up/down, heavy-duty warming shelves (non-removable), factory installed on stainless steel backsplash
- 15-7/8"W. X 10-1/8"D.
- Kit includes shelf (or shelves) and fastening screws

Model	Description	Approx. ship wt. lbs. (kg)
WGP30	30"W. warming shelf panels (one shelf)	9 (4.1)
WGP36	36"W. warming shelf panels (two shelves)	12 (5.4)
WGP42	42"W. warming shelf panels (two shelves)	14 (6.3)
WGP48	48"W. warming shelf panels (two shelves)	16 (7.2)
WGP54	54"W. warming shelf panels (two shelves)	20 (9.0)

Compliance Information



WARRANTY SUMMARY*

- One-year full warranty—complete product
- Five-year limited warranty—all ventilator motors
- Ninety-day limited warranty—cosmetic parts such as glass, painted, and decorative items

*Must use Viking ventilator kits with Viking hoods; use of non-Viking kits voids product warranty. For complete warranty see *Use & Care Guide*.
Warranty valid on Viking products shipped within the United States and Canada.