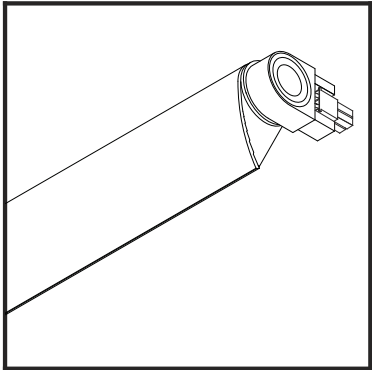


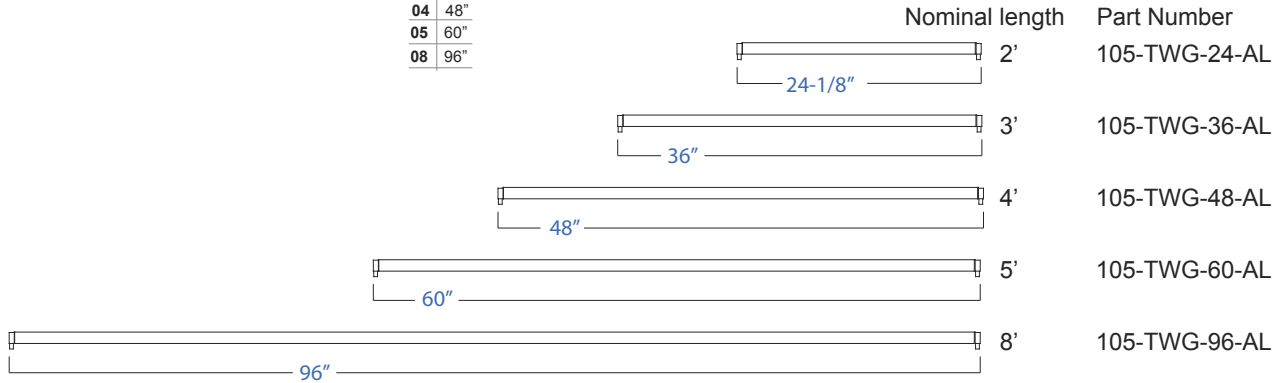
DESCRIPTION



WingRail™ - 1.125" x 2.11" extruded aluminum stepped reflector design for asymmetric wash distribution. Hub design features 370° rotation, angle-gauge and lock-screw. Brushed and clearcoated aluminum finish. Mounts to Single or Double Arm.

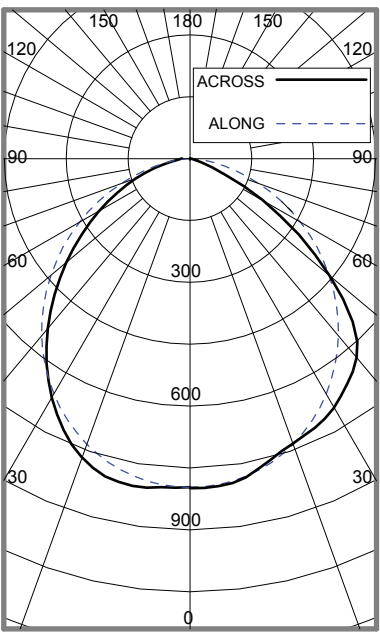
Four-conductor male connector one end.

MLR System	Race Rail	Length	Finish
105	TWG		
		02 24"	A brushed aluminum
		03 36"	C custom finish (specify)
		04 48"	
		05 60"	
		08 96"	



IES REPORT

Lighting Sciences Test Report 21576



PROFILES

