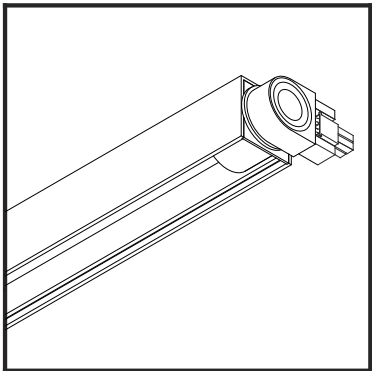


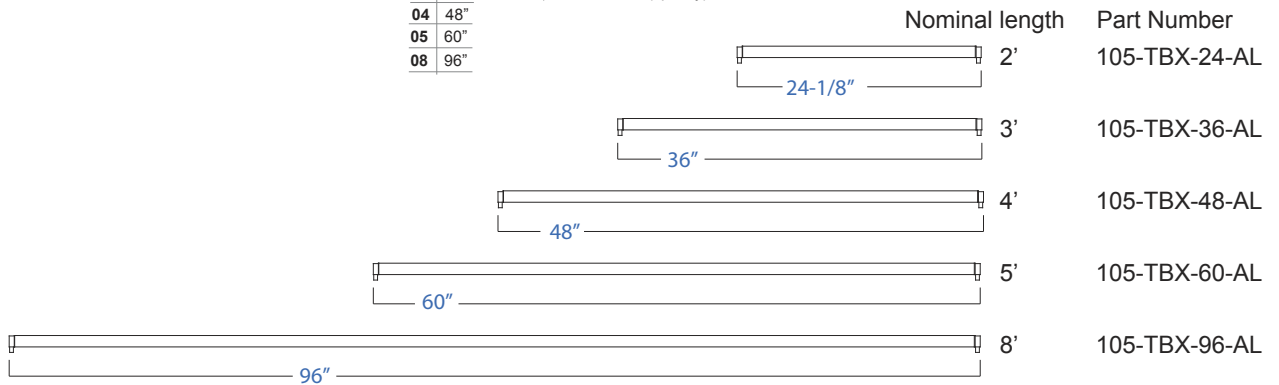
DESCRIPTION



BoxRail™ - Purest geometry – Square. 1.125" x 1.125" extruded aluminum stepped reflector. Collimating and glare-shielding lens (optional). Hub design features 370° rotation, angle-gauge and lock-screw. Brushed and clearcoated aluminum finish. Mounts to Single or Double Arm.

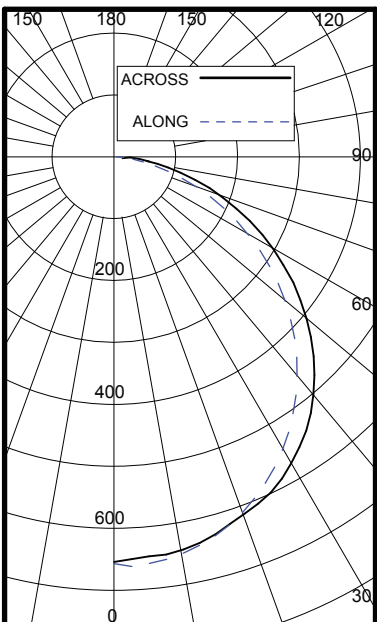
Four-conductor male connector on one end.

MLR System	Race Rail	Length	Finish
105	TBX		
		02 24"	A brushed aluminum
		03 36"	C custom finish (specify)
		04 48"	
		05 60"	
		08 96"	

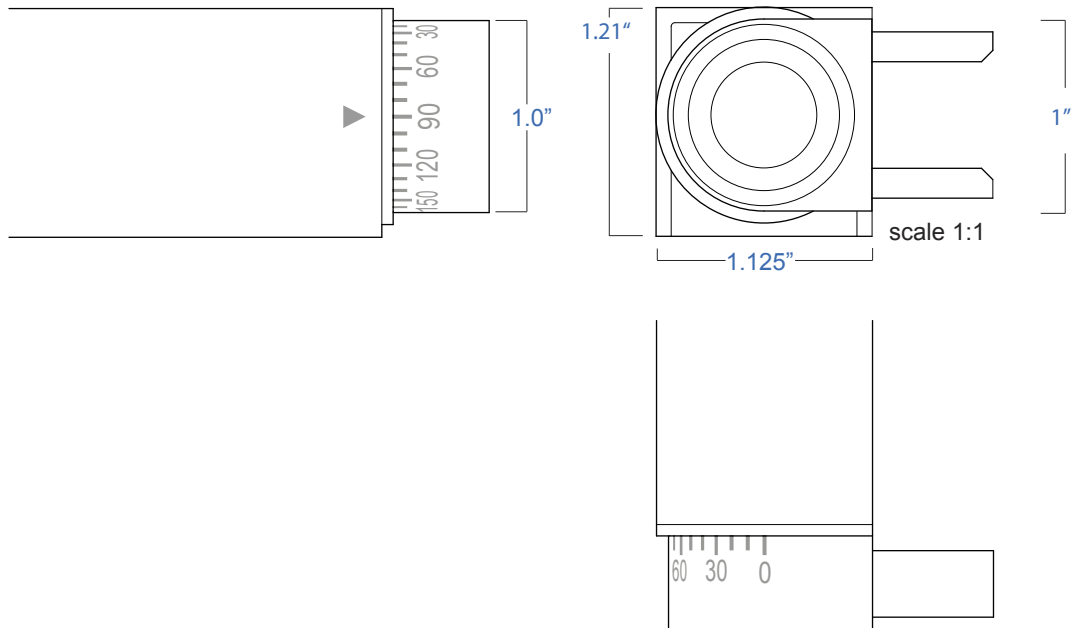


IES REPORT

Lighting Sciences Test Report 21575*



PROFILES



* same reflector as RaceRail