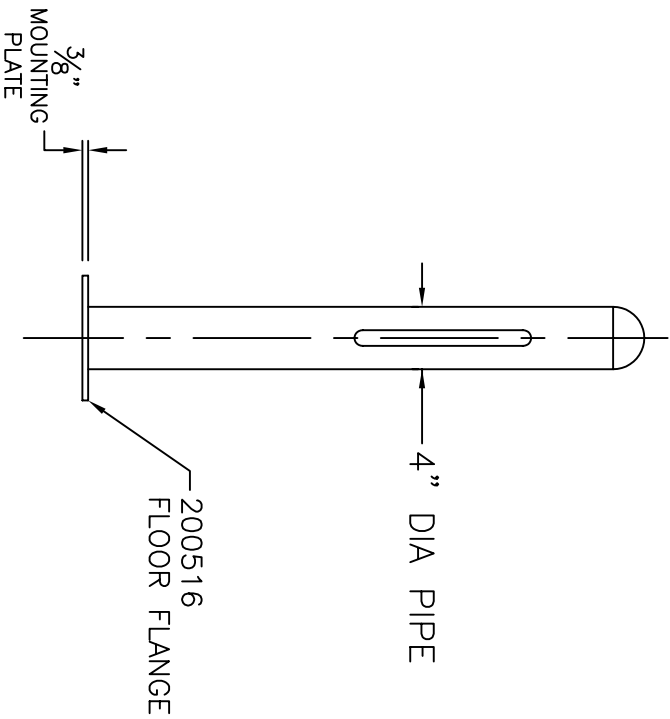
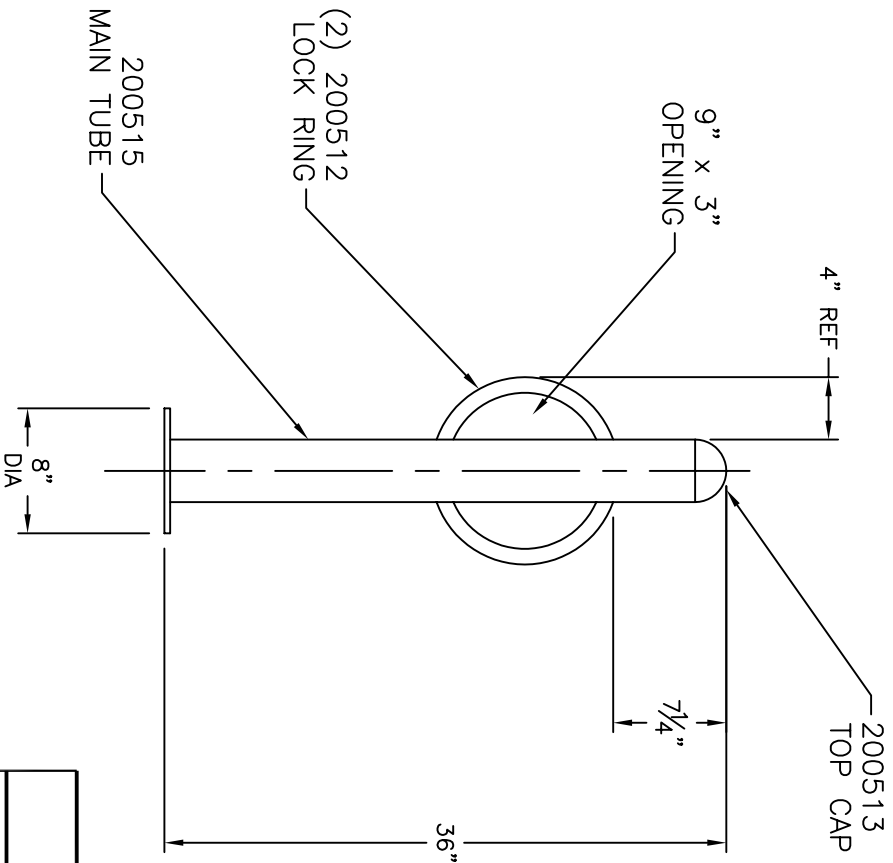


(3) $\frac{9}{16}$ " DIA HOLES
LOCATED ON A 7" DIA B.C.



WAUSAU TITLE SITE FURNISHINGS

P.O. BOX 1520 WAUSAU, WISCONSIN 54402-1520 800/398-8728
P.O. BOX 967 BANNING, CALIFORNIA 92220 800/231-4836

REVISIONS				DRAWN BY		JOB		MATERIAL	
NO.	DATE	BY	NO.	DATE	DCM	JOB NO.	WEIGHT	FINISH OPTIONS	DWG. NO.
1			4		BKE BOLLARD - FLOOR MOUNT				
2			5		SCALE 1/8				
3			6		UNLESS OTHERWISE SPECIFIED DIMENSIONS ARE IN INCHES ANGLES 30.5° FRACTION 2 PL 30.01 3 PL 30.05				200514

#9005