

TF 1205 Model A Waste Container w/Plastic Dome Top & Liner



Options:

Note: Options may change without notice.
Call to confirm current options.

Exposed Aggregate:

Tan w/Gray Matrix - Tan w/Brown Matrix
Tan w/Sand Matrix - Misty Gray w/Gray

Weatherstone:

Sand - Gray - Brown - Buff - Cream
Light Charcoal - French Gray - Brick Red

Granitex:

2078F, 4028F, 6208F, 1168F, 2098F

Custom Options Available

TF 1625 Liner

Size: 20" Dia. x 28" H.
Weight: 11 lbs.
Capacity: 31 gallons.
Material: Recycled Polyethylene Plastic.
Color: May vary.
Packaging: None.

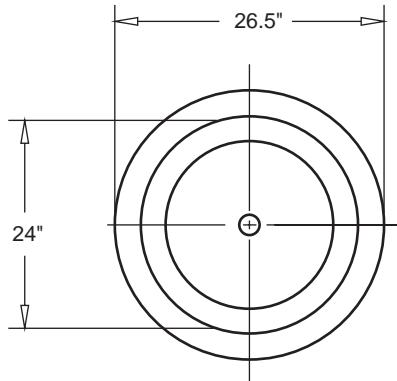
Size: 26" Dia. x 43" H.
Weight: 680 lbs.
Capacity: 31 gallons with liner.
Material: Reinforced Concrete.
Reinforcing: 1/4" & 3/8" Dia. steel rebar.
Wall Thickness: 2" at top with 2% pitch.
Hardware: (4) - 1/2" Dia. elevator bolts, inserted on site.
(4) - 1/2" Dia. zinc alloy inserts.
(2) - 5/8" Dia. lifting inserts.
(1) - 1/4" Dia. zinc alloy insert
Features: Weatherstone reveal lines with Weatherstone container unless Smooth reveal lines are requested. Smooth reveal lines with Exposed Aggregate is standard.
Packaging: Palletized.
Maintenance: Occasionally rinse with water & mild detergent. Annual Re-seainf is recommended.
Anchoring: Optional.
Logo Options: Custom cast-in-place logo or 16" Dia. x 1/4" Clear Lucite silk-screened with permanent inks. Installed with four tamper-proof rivets.

TF 1465 W269 Plastic Dome Top

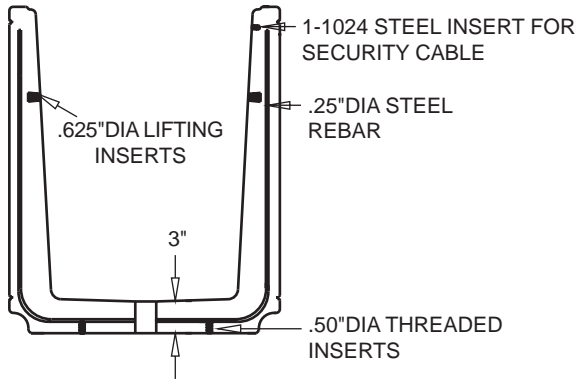
Size: 27" Dia. x 12" H.
Weight: 9 lbs.
Material: Polyethylene Plastic.
Colors: Brown, Gray, Blue, Bronze.
(Color may change without notice.)
Hardware: (1) - Security Cable.
(1) - 1024 Hex head bolt.
(1) - Shouldered screw.
(1) - 1024 Washer.
(1) - Shouldered allen bolt.
Opening: 16" L x 8" W.
Packaging: Shipped in carton.
Maintenance: Clean with mild soap and water.
Features: Made of recyclable plastic.
Installation: Attach to container with security cable.

SPECIFICATIONS

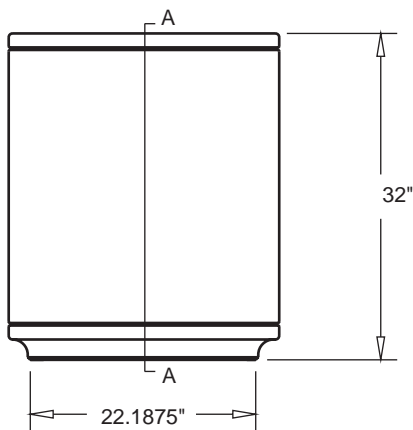
TF 1205 Model A Waste Container w/Plastic Dome Top & Liner



TOP VIEW



SECTION A-A



FRONT VIEW

1.1 SUMMARY

- A. Section includes: Furnish Precast Concrete Waste Containers indicated on drawings or specified herein.

1.2 REFERENCES

- A. American Society for Testing & Materials
 1. ASTM C33
 2. ASTM C150
 3. ASTM C31

1.5 SUBMITTALS

- A. Submit product data, shop drawings and samples.
 1. Product Data: Manufacturer's specifications and technical data edited specifically for proposed system, including the following specific information:
 - a. Detailed specification of construction fabrication.
 - b. Manufacturer's installation instructions
 - c. Maintenance literature
 - d. Product warranty
 2. Shop Drawings: Indicate pertinent dimensions, general construction, component connections anchoring methods, hardware and installation procedures.
 3. Samples as requested by Architect.

1.6 QUALITY ASSURANCE

- A. Qualifications of Manufacturer: Manufacturer to be prequalified by specifier prior to bidding. Failure to comply will result in disqualification of bid. Manufacturer to have at least five years experience in the manufacturer of precast concrete waste containers field proven for at least five years.

1.10 WARRANTY

Manufacturer shall submit a written warranty for precast products for the period of two (2) years upon acceptance of products.

2.1 MANUFACTURERS

- A. Acceptable manufacturer for Precast Concrete Waste Containers to be known as:
 Wausau Tile, Inc. Terra-Form Division.
 PO Box 1520, Wausau, WI 54402-1520.
 (800) 388-8728 FAX (715) 355-4627
- B. Clarification Note: Drawings and installation specification are based on manufacturers proprietary literature from Wausau Tile, Inc. Other manufacturers shall comply with minimum levels of material and detailing indicated on drawings or specified herein.
- C. All Precast products for this project shall be of one manufacturer.

2.2 MATERIALS

- A. Portland Cement: ASTM C150 specifications for Portland Cement.
- B. Aggregates: All aggregates to meet ASTM C33 specifications, to be cleaned of foreign matter and properly graded to size.
- C. Coloring: Pigments used shall be inorganic, resistant to alkalinity and used as per manufacturers recommendations.

#