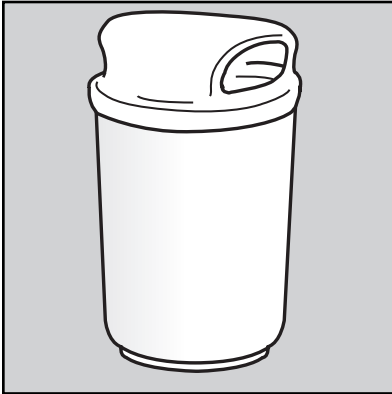


TF 1100 Model C Waste Container w/Plastic Dome Top & Liner



Options:

Note: Options may change without notice.

Exposed Aggregate:

Tan w/Gray Matrix - Tan w/Brown Matrix
Tan w/Sand Matrix - Misty Gray w/Gray

Weatherstone:

Sand - Gray - Brown - Buff - Cream
Light Charcoal - French Gray - Brick Red

Granitex

2078F, 4028F, 6208F, 1168F, 2098F

Custom Options Available

Size: 24" Dia. x 44" H.
Weight: 450 lbs.
Capacity: 31 gallons with liner.
Material: Reinforced Concrete.
Reinforcing: 1/4" Dia. steel rebar.
Wall Thickness: 1.75" at top with 2" taper.
Hardware: (4) - 1/2" Dia. elevator bolts, inserted on site.
(4) - 1/2" Dia. threaded inserts.
(2) - 5/8" Dia. lifting inserts.
(1) - 1/4" Dia. threaded inserts.
Packaging: Palletized.
Maintenance: Occasionally rinse with water & mild detergent.
Re-seal annually or as needed.
Anchoring: Optional.
Logo Options: 16" Dia. x 1/4" Clear Lucite silk-screened with permanent inks. Installed with four tamper-proof rivets, or custom cast-in-place logo.

TF 1625 Liner

Size: 20" Dia x 28" H
Weight: 11 lbs
Capacity: 31 gallons
Material: Recycled Polyethylene Plastic
Color: May vary

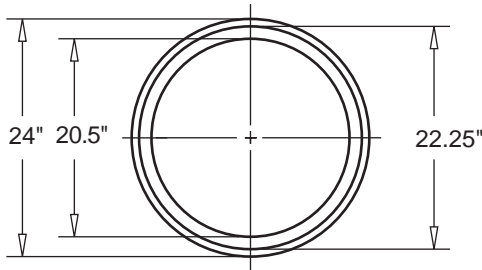
TF 1500 PDT24 Plastic Dome Top

Size: 24-1/2" Dia. x 12" H.
Weight: 9 lbs.
Material: Polyethylene Plastic.
Colors: Brown, Gray, Bronze.
(Color may change without notice.)
Hardware: (1) - Security cable.
(1) - 1024 Hex head bolt.
(1) - Standard screw.
(1) - 1024 Washer.
(1) - Shouldered allen bolt.
Opening: 14" L x 8" H.
Packaging: Shipped in carton.
Maintenance: Clean with mild soap and water.
Features: Made of recyclable plastic.

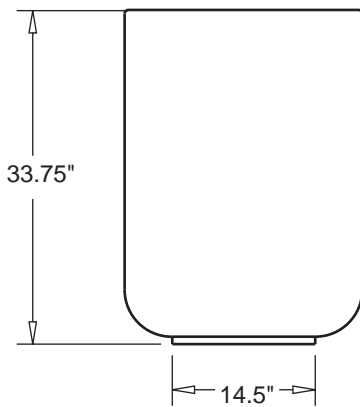
SPECIFICATIONS

TF 1100

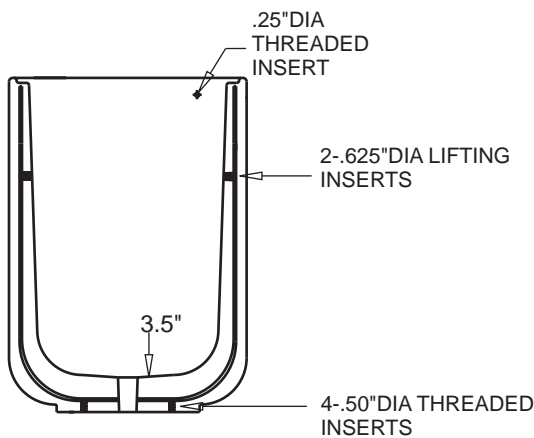
Model C Waste Container w/Plastic Dome Top & Liner



TOP VIEW



SIDE VIEW



SECTION A-A

1.1 SUMMARY

- A. Section includes: Furnish Precast Concrete Waste Containers indicated on drawings or specified herein.

1.2 REFERENCES

- A. American Society for Testing & Materials
 - 1. ASTM C33
 - 2. ASTM C150
 - 3. ASTM C31

1.5 SUBMITTALS

- A. Submit product data, shop drawings and samples.
 - 1. Product Data: Manufacturer's specifications and technical data edited specifically for proposed system, including the following specific information:
 - a. Detailed specification of construction fabrication.
 - b. Manufacturer's installation instructions
 - c. Maintenance literature
 - d. Product warranty
 - 2. Shop Drawings: Indicate pertinent dimensions, general construction, component connections anchoring methods, hardware and installation procedures.
 - 3. Samples as requested by Architect.

1.6 QUALITY ASSURANCE

- A. Qualifications of Manufacturer: Manufacturer to be prequalified by specifier prior to bidding. Failure to comply will result in disqualification of bid. Manufacturer to have at least five years experience in the manufacturer of precast concrete waste containers field proven for at least five years.

1.10 WARRANTY

Manufacturer shall submit a written warranty for precast products for the period of two (2) years upon acceptance of products.

2.1 MANUFACTURERS

- A. Acceptable manufacturer for Precast Concrete Waste Containers to be known as:
Wausau Tile, Inc. Terra-Form Division.
PO Box 1520, Wausau, WI 54402-1520.
(800) 388-8728 FAX (715) 355-4627
- B. Clarification Note: Drawings and installation specification are based on manufacturers proprietary literature from Wausau Tile, Inc. Other manufacturers shall comply with minimum levels of material and detailing indicated on drawings or specified herein.
- C. All Precast products for this project shall be of one manufacturer.

2.2 MATERIALS

- A. Portland Cement: ASTM C150 specifications for Portland Cement.
- B. Aggregates: All aggregates to meet ASTM C33 specifications, to be cleaned of foreign matter and properly graded to size.
- C. Coloring: Pigments used shall be inorganic, resistant to alkalinity and used as per manufacturers recommendations.

#