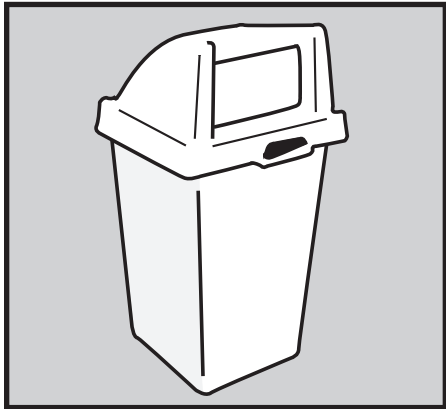


TF 1015 W19 Waste Container w/ W19 Push-Door Top



Options:

Note: Options may change without notice.
Call to confirm current options.

Exposed Aggregate:

Tan w/Gray Matrix - Misty Gray w/Gray

Weatherstone:

Sand - Gray - Brown - Buff - Cream
Light Charcoal - French Gray - Brick Red

Granitex

2078F, 4028F, 6208F, 1168F, 2098F

Glass

Clear - Emerald - Blue - Amber
Champaign - Charcoal

Custom Options Available

Size: 20-1/2" Sq. x 43" H
Weight: 280 lbs
Capacity: 30 gallons without liner
24 gallons with liner
Material: Reinforced Concrete
Wall Thickness: 2" at top with 2% pitch
Hardware: (4) - 3/8" Dia. elevator bolts, inserted on site
(4) - 3/8" Dia. inserts
(1) - 1/4" Dia. insert
Packaging: Palletized
Maintenance: Occasionally rinse with water & mild detergent
Re-seal annually
Anchoring: Optional
Logo Options: 12" Dia. x 1/4" Clear Lucite silk-screened with permanent inks. Installed with two tamper-proof screws.

TF 1405 W19 Push Door Top

Size: 20-1/2" Sq. x 13"H
Weight: 7 lbs
Material: Polyethylene Plastic
Colors: Brown, Gray, Red, Bronze, Red, Blue, Green
Hardware: (1) - Security Cable
(1) - 1024 Hex head bolt
(1) - Shouldered screw
(1) - 1024 Washer
(1) - Shouldered allen bolt
Door Opening: 13" x 8"
Packaging: Shipped in carton
Maintenance: Clean with mild soap and water
Features: Made of recyclable plastic
Installation: Attach to container with security cable.

TF 1300 Small Retainer Ring (Standard)

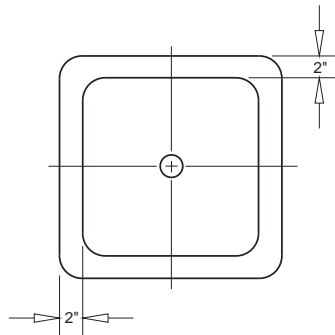
Size: 18-1/2" Sq. Weight: 1 lb
Material: Zinc plated steel
Features: Designed to hold "skirts" of liner in container, out of view.
Installation: Place polybag in container with edges draped over sides. Set ring on container rim, fold bag over ring into container.

TF 1610 Liner (Optional)

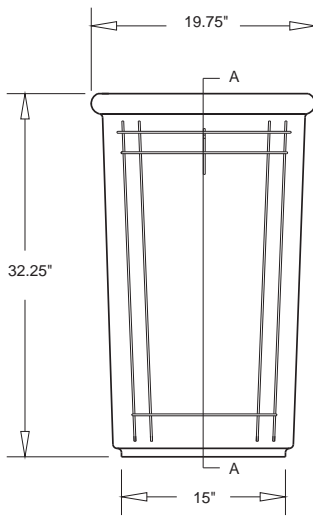
Size: 14-7/8" Sq. x 29-7/8" H
Weight: 10 lbs
Capacity: 24 gallons
Material: Recycled Polyethylene Plastic
Color: Black

SPECIFICATIONS

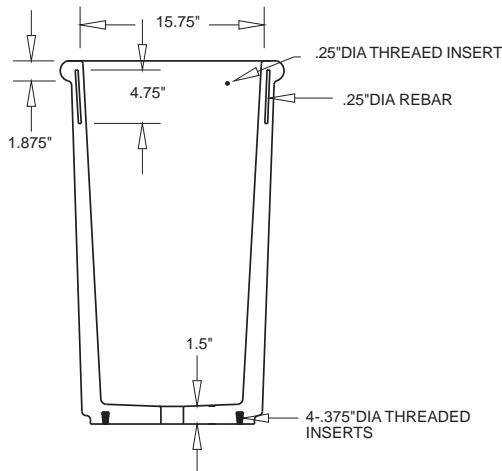
TF 1015 W19 WASTE CONTAINER W/ W19P PUSH-DOOR TOP



TOP VIEW



FRONT VIEW



1.1 SUMMARY

- A. Section includes: Furnish Precast Concrete Waste Containers indicated on drawings or specified herein.

1.2 REFERENCES

- A. American Society for Testing & Materials
 1. ASTM C33 2. ASTM C150 3. ASTM C31

1.5 SUBMITTALS

- A. Submit product data, shop drawings and samples.
1. Product Data: Manufacturer's specifications and technical data edited specifically for proposed system, including the following specific information:
 - a. Detailed specification of construction fabrication.
 - b. Manufacturer's installation instructions
 - c. Maintenance literature
 - d. Product warranty
 2. Shop Drawings: Indicate pertinent dimensions, general construction, component connections anchoring methods, hardware and installation procedures.
 3. Samples as requested by Architect.

1.6 QUALITY ASSURANCE

- A. Qualifications of Manufacturer: Manufacturer to be prequalified by specifier prior to bidding. Failure to comply will result in disqualification of bid. Manufacturer to have at least five years experience in the manufacturer of precast concrete waste containers field proven for at least five years.

1.10 WARRANTY

Manufacturer shall submit a written warranty for precast products for the period of two (2) years upon acceptance of products.

2.1 MANUFACTURERS

- A. Acceptable manufacturer for Precast Concrete Waste Containers to be known as:
 Wausau Tile, Inc. .
 PO Box 1520, Wausau, WI 54402-1520.
 (800) 388-8728 FAX (715) 355-4627
- B. Clarification Note: Drawings and installation specification are based on manufacturers proprietary literature from Wausau Tile, Inc. Other manufacturers shall comply with minimum levels of material and detailing indicated on drawings or specified herein.
- C. All Precast products for this project shall be of one manufacturer.

2.2 MATERIALS

- A. Portland Cement: ASTM C150 specifications for Portland Cement.
- B. Aggregates: All aggregates to meet ASTM C33 specifications, to be cleaned of foreign matter and properly graded to size.
- C. Coloring: Pigments used shall be inorganic, resistant to alkalinity and used as per manufacturers recommendations.

#