

MODEL # 3211

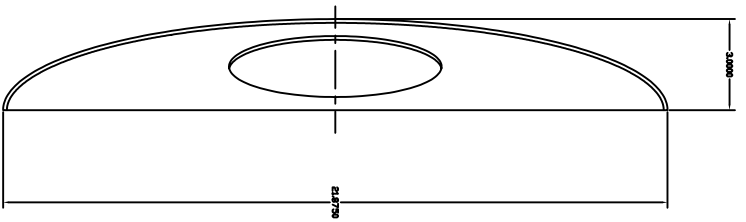
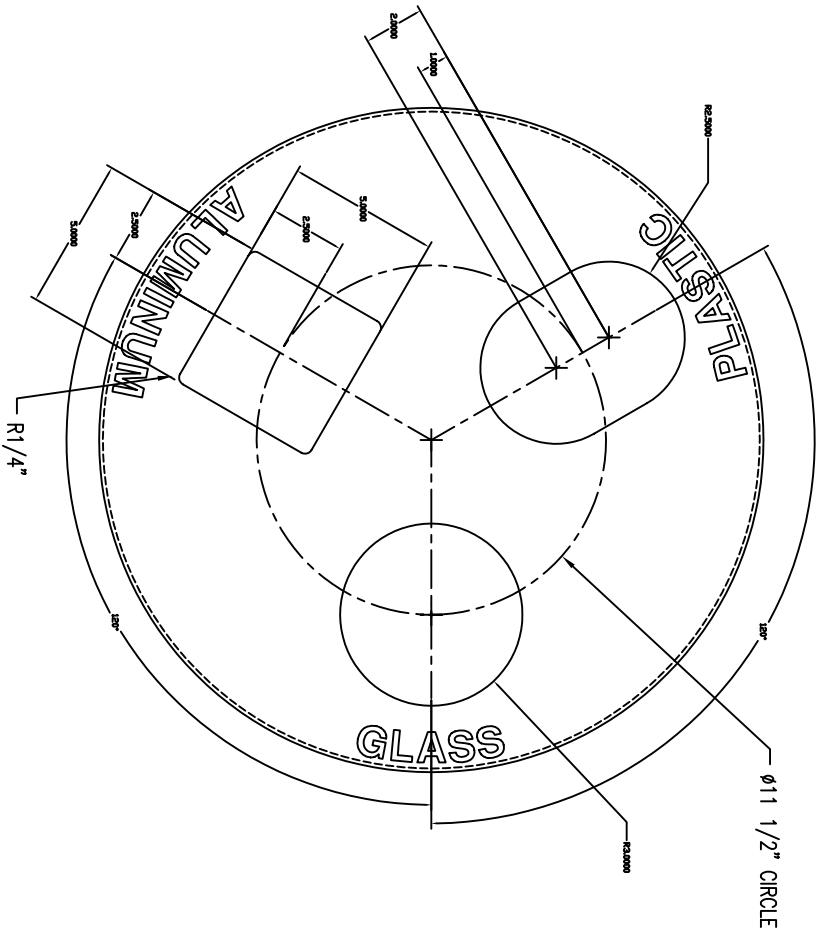
WAUSAU TILE SITE FURNISHINGS

P.O. BOX 1520 WAUSAU, WISCONSIN 54402-1520 800/388-8728
 P.O. BOX 967 BANNING, CALIFORNIA 92220 800/231-4636

REVISIONS				DRAWN BY		JOB		MATERIAL	
NO.	DATE	BY	NO.	DATE	DCM	JOB NO.	WEIGHT	FINISH OPTIONS	
1			4						
2			5						
3			6					DWG. NO. 700283	

TITLE		JOB NO.		DATE		FINISH OPTIONS	
SLOTTED CONTAINER				10/25/06			
SCALE		JOB NO.		DATE		FINISH OPTIONS	
1/12							

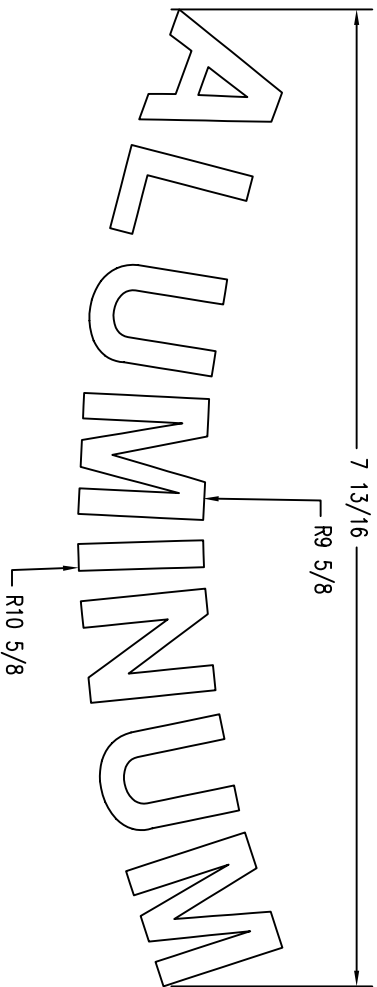
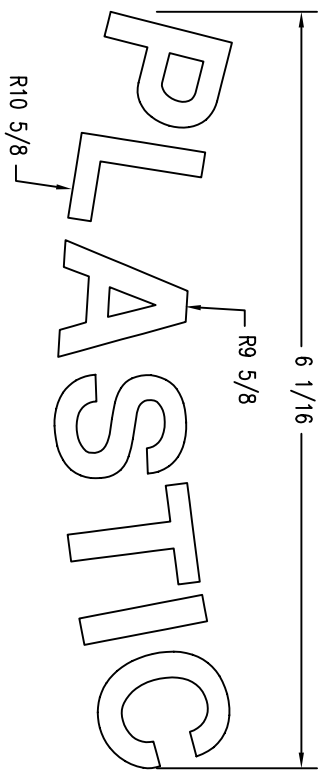
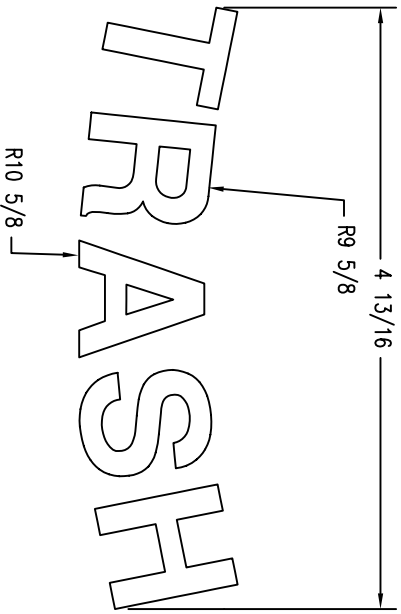
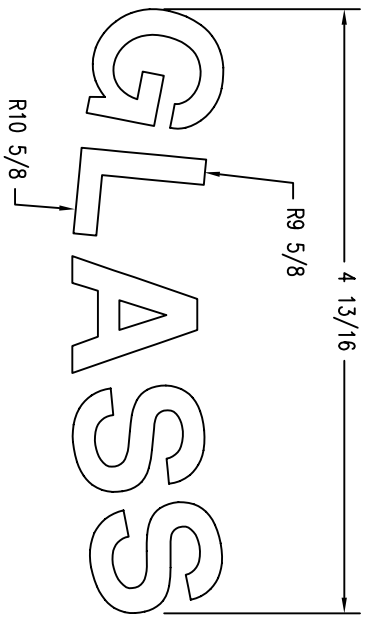
UNLESS OTHERWISE SPECIFIED DIMENSIONS ARE IN INCHES. ANGLES EXCEPT THRU 45° 3 PL. 50.003 2 PL. 50.001 3 PL. 50.005



WAUSAU TILE SITE FURNISHINGS

P.O. BOX 1520 WAUSAU, WISCONSIN 54982-1520 800/398-8728
 P.O. BOX 907 BRANNING, CALIFORNIA 92220 800/231-4656

REVISIONS				DRAWN BY		JOB		MATERIAL	
NO.	DATE	BY	NO.	DATE	BY	TITLE	JOB NO.	WEIGHT	FINISH OPTIONS
1			4			SPUN DOMED TOP - RECYCLE			
2			5			SCALE 1/4			
3			6				UNLESS OTHERWISE SPECIFIED DIMENSIONS ARE IN INCHES ANGLES 45° FIN. 1/8" 2 PL. 4001 3 PL. 4006		
								DWG. NO.	700280



WAUSAU TITLE SITE FURNISHINGS

P.O. BOX 1520 WAUSAU, WISCONSIN 54402-1520 800/298-8728
 P.O. BOX 987 BANNING, CALIFORNIA 92220 800/231-4836

REVISIONS						DRAWN BY		JOB		MATERIAL	
NO.	DATE	BY	NO.	DATE	BY	TITLE	MJS	JOB NO.	SCALE	DATE	FINISH OPTIONS
1			4			FULL				11/08/06	
2			5								
3			6								

UNLESS OTHERWISE SPECIFIED
 DIMENSIONS ARE IN INCHES
 2 PL. #4001 3 PL. #4005

WT-00042