

# MF 3206



5/06

Specification Sheet

## MF3206

Size: 26" Dia.x 41"  
Weight: 190 lbs.  
Gallon Capacity: 41 gallons  
Features: Cast aluminum Ash n' Trash top w/ security cable.  
Construction: 1/4" x 1 1/2" hot rolled steel  
Parts List: 1ea - TF1508  
1ea - TF1635 - 41 gallon  
polyethylene reusable liner  
1ea - TF1998 - security cable assembly

### Color Selection:

Black - Green - Yellow  
Beige - Brown - Red  
Burgundy - Blue

Custom colors are  
available upon request

## Metal Form Flat Steel Specifications

### Finish Specification

### Metal Armor Coating Performance Properties

Thermoplastic functional polyethylene copolymer-based coating  
Coverage: 20mils minimum

Flexibility: 1/8", no cracks

ASTM D 533

Adhesion: >1000 psi/(5A)

ASTM D 4541/ASTM D 3359

Scored and unscored/no peeling or removal

Impact Resistance: >384 in/lbs

ASTM D 2794

Gloss: At 60 degrees – 35-60

ASTM D 523

Delta Shift: 1.77

1400 MJUV = 5 yrs (color tested: Red)

Hardness: Shore D-48

ASTM 2240

Taber Abrasion: 90 mg loss - CS10 wheel  
100 mg loss – CS17 wheel

ASTM D 4060

Salt Spray Resistance: >4000 hrs

ASTM B 117

Humidity Resistance: No blistering or loss of  
Gloss after 1000 hrs

ASTM D 2247

Smoke Development: 10 Flame spread index

ASTM E 84

10 Smoke developed index

Chip Resistance: 8A

ASTM D 3170

**WAUSAU TILE**

P.O. Box 1520  
Wausau, WI 54402-1520  
Ph: 800-446-8020  
Fax: 715-355-4627  
www.wausautile.com

### Environmental

VOC Content: 0, 100% solids

### Special Approvals

FDA approved for direct food contact and has USDA  
compliance for use within the product zone applications.

### Health

NFPA Classification:

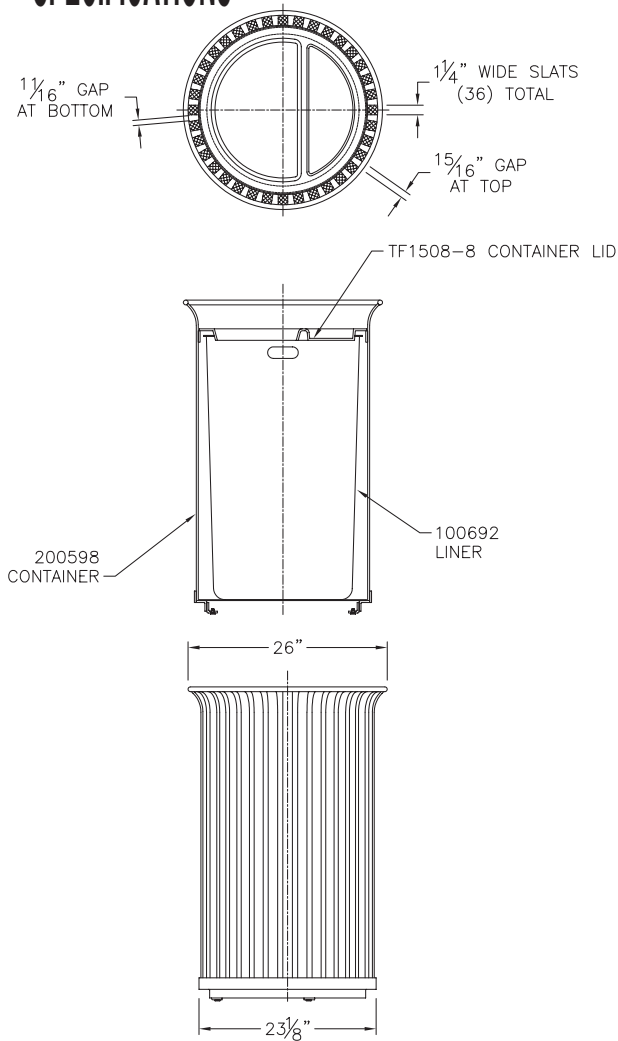
Flammability: 1

Health: 0

Reactivity: 0

# SPECIFICATIONS

# MF 3206 Waste Container



## ANCHOR DETAIL

To install Rawl-Bolt™ one piece heavy duty anchors, follow simple instructions below:

1. With fixtures in place, drill hole of same nominal diameter as the Rawl-Bolt™
2. Remove tag from assembled anchor. Insert anchor through hole in fixture.
3. Tap Rawl-Bolt™ into hole until washer and bolt head are seated against fixture.
4. Tighten with wrench.



## 1.1 SUMMARY

- A. Section includes: Furnish Site Furnishings benches on drawings or specified herein.

## 1.2 REFERENCES

- A. American Society for Testing & Materials
  1. ASTM-D533    ASTM-D4541    ASTM-D3359    ASTM-2794
  - ASTM-D523    ASTM-4060    ASTM-B117    ASTM-D2247
  - ASTM-E84     ASTM-D3170    ASTM-A569    ASTM-B6
  - ASTM G26     ASTM-A569/A569M

## 1.3 SUBMITTALS

- A. Submit product data, shop drawings and samples.
  1. Product Data: Manufacturer's specifications and technical data edited specifically for proposed product, including the following specific information:
    - a. Detailed specification of construction fabrication.
    - b. Manufacturer's installation instructions
    - c. Product warranty
- B. Shop Drawings: Indicate pertinent dimensions, general construction, component connections, anchoring methods, hardware and installation procedures.
- C. Samples as requested by Architect.

## 1.4 QUALITY ASSURANCE

- A. Qualifications of Manufacturer: Manufacturer to be prequalified by specifier prior to bidding. Failure to comply will result in disqualification of bid. Manufacturer to have at least three years experience in the manufacture of thermo plastic coated steel site furnishings field proven for at least three years.
- B. Warranty: 5 Years - Metal Armor Coated Products

## 1.5 MANUFACTURERS

- A. Acceptable manufacturer for thermo plastic coated steel site furnishings to be known as:
 

Wausau Tile, Inc.  
PO Box 1520  
Wausau, WI 54402-1520  
(800) 388-8728 FAX (715) 355-4627
- B. Clarification Note: Drawings and installation specifications are based on manufacturers proprietary literature from Wausau Tile, Inc., Metal-Form Division. Other manufacturers shall comply with minimum levels of material and detailing indicated on drawings or specified herein.