

# Metal-Form

7/03

## SPECIFICATIONS FOR THE MF3052 WAUSAU WASTE CONTAINER.



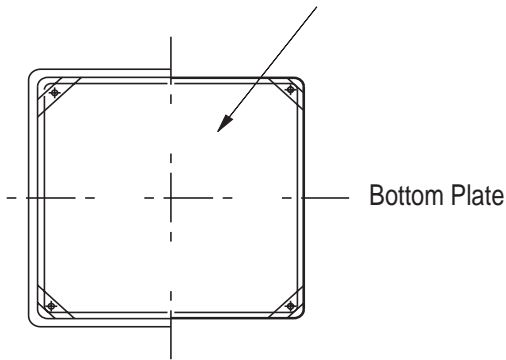
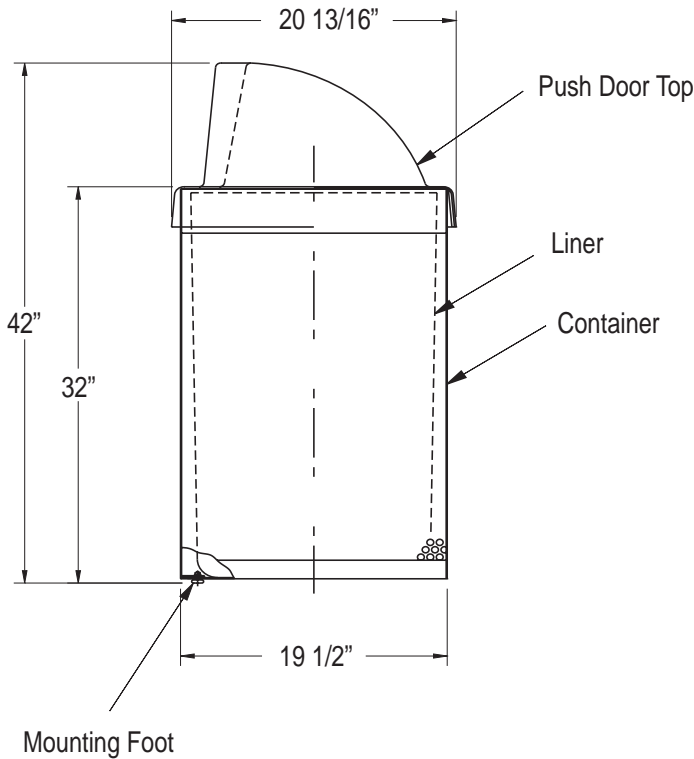
Size:	19 1/2" x 19 1/2" x 42"
Weight:	Total shipping weight each= 80 lbs.
Capacity	38 Gallons
Construction:	Panel - 14 gauge perforated steel - Metal-Armor coated Liner - Polyethylene Plastic, Top - HDPE Plastic
Standard Features:	38 Gallon Polyethylene liner Stainless steel security cable - attaches top to container Elevator feet Permanent anchoring capability
Color Options:	Standard Metal-Form Options: Panel: Yellow - Green - Brown -Red - Blue - Black - Gray Top: Charcoal - Gray - Brown - Red - Blue (Custom colors are available - contact Metal-Form for options)
Mounting Options:	Concrete base Surface Mount
Optional Top Accessories:	TF 1416 - Drive-up attachment. TF 1415 - Tray holder attachment.

**WAUSAU TILE**

Metal-Form Division  
P.O. Box 1520  
Wausau, WI 54402-1520  
Ph: 800-446-8020  
Fax: 715-355-4627  
www.wausautile.com

# SPECIFICATIONS

# MF 3052 Wausau Waste Container



## 1.1 SUMMARY

- A. Section includes: Furnish Metal-Form waste containers on drawings or specified herein.

## 1.2 REFERENCES

- A. American Society for Testing & Materials
  - 1. ASTM-D533    ASTM-D4541    ASTM-D3359    ASTM-2794
  - ASTM-D523    ASTM-4060    ASTM-B117    ASTM-D2247
  - ASTM-E84    ASTM-D3170    ASTM-A569    ASTM-B6
  - ASTM G26    ASTM-A569/A569M

## 1.3 SUBMITTALS

- A. Submit product data, shop drawings and samples.
  - 1. Product Data: Manufacturer's specifications and technical data edited specifically for proposed product, including the following specific information:
    - a. Detailed specification of construction fabrication.
    - b. Manufacturer's installation instructions
    - c. Product warranty
- B. Shop Drawings: Indicate pertinent dimensions, general construction, component connections, anchoring methods, hardware and installation procedures.
- C. Samples as requested by Architect.

## 1.4 QUALITY ASSURANCE

- A. Qualifications of Manufacturer: Manufacturer to be prequalified by specifier prior to bidding. Failure to comply will result in disqualification of bid. Manufacturer to have at least three years experience in the manufacture of thermo plastic coated steel site furnishings field proven for at least three years.
- B. Warranty: 5 Years - Metal Armor Coated Products  
1 Year - Plastic Parts

## 1.5 MANUFACTURERS

- A. Acceptable manufacturer for thermo plastic coated steel site furnishings to be known as:  
Wausau Tile, Inc. Metal-Form Division  
PO Box 1520  
Wausau, WI 54402-1520  
(800) 446-8020 FAX (715) 355-4627
- B. Clarification Note: Drawings and installation specifications are based on manufacturers proprietary literature from Wausau Tile, Inc., Metal-Form Division. Other manufacturers shall comply with minimum levels of material and detailing indicated on drawings or specified herein.