

Metal-Form

2/01

PARTS LIST AND SPECIFICATIONS FOR THE MF3020 CITY WASTE CONTAINER.



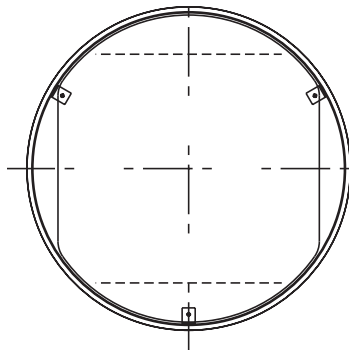
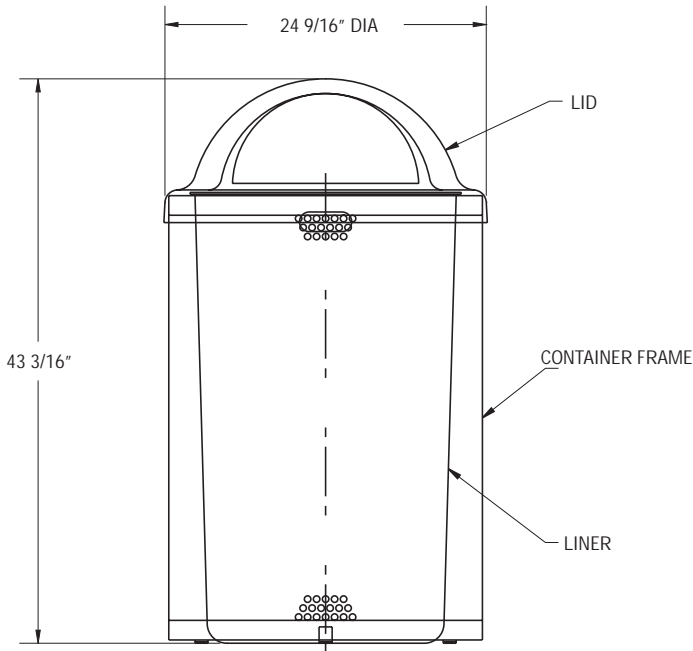
Size:	25" dia. x 44" tall - nominal
Weight:	Total shipping weight each= 85 lbs.
Capacity	41 Gallons
Construction:	Panel - 14 gauge perforated steel - Metal-Armor coated Top - Dome style - Polyethylene plastic Liner - Polyethelene plastic
Standard Features:	41 Gallon Polyethelene liner Stainless steel security cable - attaches top to container Elevator feet Permanent anchoring capability
Color Options:	Standard Metal-Form Options: Panel: Yellow - Green - Brown -Red - Blue - Black Top: Bronze - Gray - Brown (Custom colors are available - contact Metal-Form for options)
Mounting Options:	Model 7105 concrete base - 150 lbs. Attaches directly to waste container Surface Mount

WAUSAU TILE

Metal-Form Division
P.O. Box 1520
Wausau, WI 54402-1520
Ph: 800-446-8020
Fax: 715-355-4627
www.wausautile.com

SPECIFICATIONS

MF 3020 City Waste Container



1.1 SUMMARY

- A. Section includes: Furnish Metal-Form benches on drawings or specified herein.

1.2 REFERENCES

- A. American Society for Testing & Materials
 1. ASTM-D533 ASTM-D4541 ASTM-D3359 ASTM-2794
ASTM-D523 ASTM-4060 ASTM-B117 ASTM-D2247
ASTM-E84 ASTM-D3170 ASTM-A569 ASTM-B6
ASTM G26 ASTM-A569/A569M

1.3 SUBMITTALS

- A. Submit product data, shop drawings and samples.
 1. Product Data: Manufacturer's specifications and technical data edited specifically for proposed product, including the following specific information:
 - a. Detailed specification of construction fabrication.
 - b. Manufacturer's installation instructions
 - c. Product warranty
- B. Shop Drawings: Indicate pertinent dimensions, general construction, component connections, anchoring methods, hardware and installation procedures.
- C. Samples as requested by Architect.

1.4 QUALITY ASSURANCE

- A. Qualifications of Manufacturer: Manufacturer to be prequalified by specifier prior to bidding. Failure to comply will result in disqualification of bid. Manufacturer to have at least three years experience in the manufacture of thermo plastic coated steel site furnishings field proven for at least three years.
- B. Warranty: 5 Years - Metal Armor Coated Products
2 Years - Plastic Products

1.5 MANUFACTURERS

- A. Acceptable manufacturer for thermo plastic coated steel site furnishings to be known as:
Wausau Tile, Inc. Metal-Form Division
PO Box 1520
Wausau, WI 54402-1520
(800) 446-8020 FAX (715) 355-4627
- B. Clarification Note: Drawings and installation specifications are based on manufacturers proprietary literature from Wausau Tile, Inc., Metal-Form Division. Other manufacturers shall comply with minimum levels of material and detailing indicated on drawings or specified herein.