

Metal-Form

1/04

PARTS LIST AND SPECIFICATIONS FOR THE MF3006 CLASSIC ASH N' TRASH WASTE CONTAINER WITH RAIN COVER.



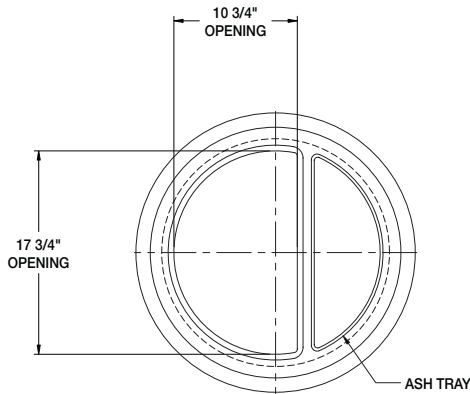
Size:	22" dia. x 39" tall - nominal
Weight:	Total shipping weight each= 100 lbs.
Capacity:	30 Gallons
Construction:	Panel - 14 gauge perforated steel - Metal-Armor coated Top - Cast aluminum - Powder coated Liner - Polyethelene plastic Top positioning ring - EPDM rubber
Standard Features:	30 Gallon Polyethelene liner 10 lb. bag of sand Stainless steel security cable - attaches top to container Elevator feet Permanent anchoring capability
Color Options:	Standard Metal-Form Options: Panel: Yellow - Green - Brown -Red - Blue - Black - Burgundy - Beige Ring: Gray - Sand - Black Top: Bronze - Gray - Black (Custom colors are available - contact Metal-Form for options)
Mounting Options:	Inground post mount Pole mount Concrete base Surface Mount

WAUSAU TILE

Metal-Form Division
P.O. Box 1520
Wausau, WI 54402-1520
Ph: 800-446-8020
Fax: 715-355-4627
www.wausautile.com

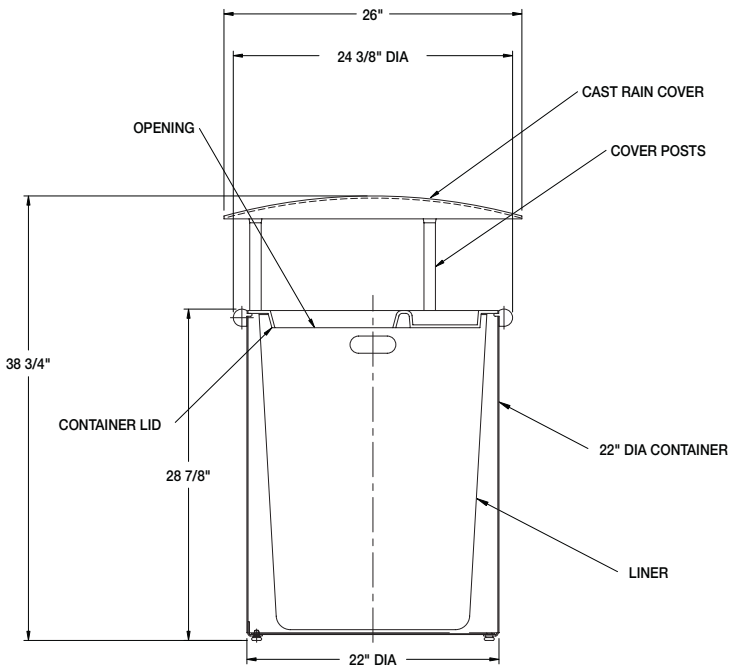
SPECIFICATIONS

MF 3006 Classic Ash N' Trash Waste Container with Rain Cover



TOP VIEW

SHOWN WITHOUT
RAIN COVER



1.1 SUMMARY

- A. Section includes: Furnish Metal-Form waste containers on drawings or specified herein.

1.2 REFERENCES

- A. American Society for Testing & Materials
 - 1. ASTM-D533 ASTM-D4541 ASTM-D3359 ASTM-2794
 - ASTM-D523 ASTM-4060 ASTM-B117 ASTM-D2247
 - ASTM-E84 ASTM-D3170 ASTM-A569 ASTM-B6
 - ASTM G26 ASTM-A569/A569M

1.3 SUBMITTALS

- A. Submit product data, shop drawings and samples.
 - 1. Product Data: Manufacturer's specifications and technical data edited specifically for proposed product, including the following specific information:
 - a. Detailed specification of construction fabrication.
 - b. Manufacturer's installation instructions
 - c. Product warranty
- B. Shop Drawings: Indicate pertinent dimensions, general construction, component connections, anchoring methods, hardware and installation procedures.
- C. Samples as requested by Architect.

1.4 QUALITY ASSURANCE

- A. Qualifications of Manufacturer: Manufacturer to be prequalified by specifier prior to bidding. Failure to comply will result in disqualification of bid. Manufacturer to have at least three years experience in the manufacture of thermo plastic coated steel site furnishings field proven for at least three years.
- B. Warranty: 5 Years - Metal Armor Coated Products
2 Years - Powder Coated

1.5 MANUFACTURERS

- A. Acceptable manufacturer for thermo plastic coated steel site furnishings to be known as:
Wausau Tile, Inc. Metal-Form Division
PO Box 1520
Wausau, WI 54402-1520
(800) 446-8020 FAX (715) 355-4627
- B. Clarification Note: Drawings and installation specifications are based on manufacturers proprietary literature from Wausau Tile, Inc., Metal-Form Division. Other manufacturers shall comply with minimum levels of material and detailing indicated on drawings or specified herein.