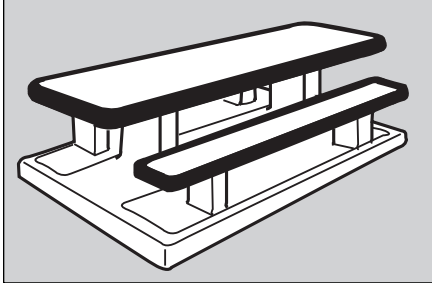


TF 3215 PTSWB Table



Options:

Note: Options may change without notice.
Call to confirm current options.

Smooth Concrete (base):

Misty - Sand - Gray - Brown - Brick Red

Ground & Polished (top & seats)

Misty - Sand - Gray - Brown - Brick Red

Custom Options Available

Size:	96" L x 62" W x 35-1/2" H.
Shipping Weight:	3800 lbs.
Seating Capacity:	6 persons + 2 wheelchairs.
Reinforcing:	3/8" Dia. steel rebar.
Hardware:	Brackets to mount top and seats. (2) - 11 1/2" x 8 x 1/4" S/S plate. (4) - 8" x 6" x 1/4" S/S plate. (24) - 1/2"-13" x 1" S/S HHCS. (24) - 1/2" S/S F/W.
Table top:	(1) - 96" L x 30" W x 3" H.
Benches:	(2) - 84" L x 12" W x 3" H.
Anchoring:	None required.
Assembly:	None required.
Maintenance:	Periodically rinse with water and mild detergent. Re-seal annually or as needed.
Packaging:	Top and Seats are shrink wrapped.

** Accepts Umbrella

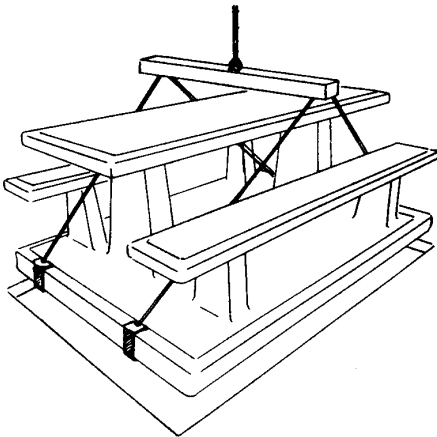
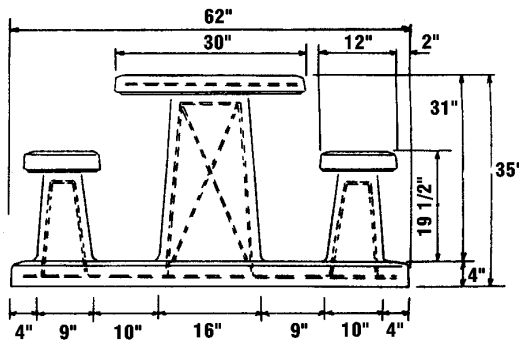
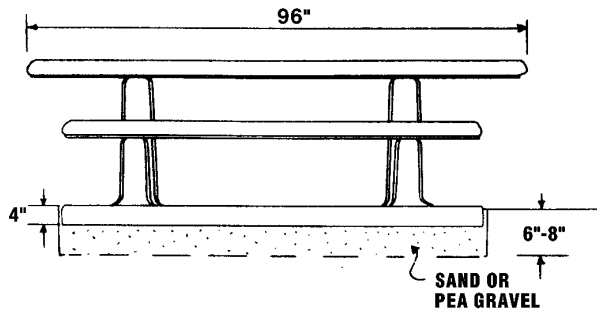


CAUTION

DO NOT OVER
TIGHTEN ANY BOLTS

GENERAL TABLES SPECIFICATIONS

TF 3215 PTSWB Table



•• Do Not Lift from table top or bench bottom.

1.1 SUMMARY

- A. Section includes: Furnish Precast Concrete Table indicated on drawings or specified herein.

1.2 REFERENCES

- A. American Society for Testing & Materials
 1. ASTM C33
 2. ASTM C150
 3. ASTM C31

1.5 SUBMITTALS

- A. Submit product data, shop drawings and Samples.
 1. Product Data: Manufacturer's specifications and technical data edited specifically for proposed system, including the following specific information:
 - a. Detailed specification of construction fabrication.
 - b. Manufacturer's installation instructions
 - c. Maintenance literature
 - d. Product warranty
 2. Shop Drawings: Indicate pertinent dimensions, general construction, component connections anchoring methods, hardware and installation procedures.
 3. Samples as requested by Architect.

1.6 QUALITY ASSURANCE

- A. Qualifications of Manufacturer: Manufacturer to be prequalified by specifier prior to bidding. Failure to comply will result in disqualification of bid. Manufacturer to have at least five years experience in the manufacturer of precast concrete tables field proven for at least five years.

1.10 WARRANTY

Manufacturer shall submit a written warranty for precast products for the period of two years upon acceptance of products.

2.1 MANUFACTURERS

- A. Acceptable manufacturer for Precast Concrete Tables to be known as Wausau Tile, Inc. Terra-Form Division.
PO Box 1520, Wausau, WI 54402-1520.
(800) 388-8728 FAX (715) 355-4627
- B. Clarification Note: Drawings and installation specification are based on manufacturers proprietary literature from Wausau Tile, Inc. Other manufacturers shall comply with minimum levels of material and detailing indicated on drawings or specified herein.
- C. All Precast products for this project shall be of one manufacturer.

2.2 MATERIALS

- A. Portland Cement: ASTM C150 specifications for Portland Cement.
- B. Aggregates: All aggregates to meet ASTM C33 specifications, to be cleaned of foreign matter and properly graded to size.
- C. Coloring: Pigments used shall be inorganic, resistant to alkalinity and used as per manufacturers recommendations.