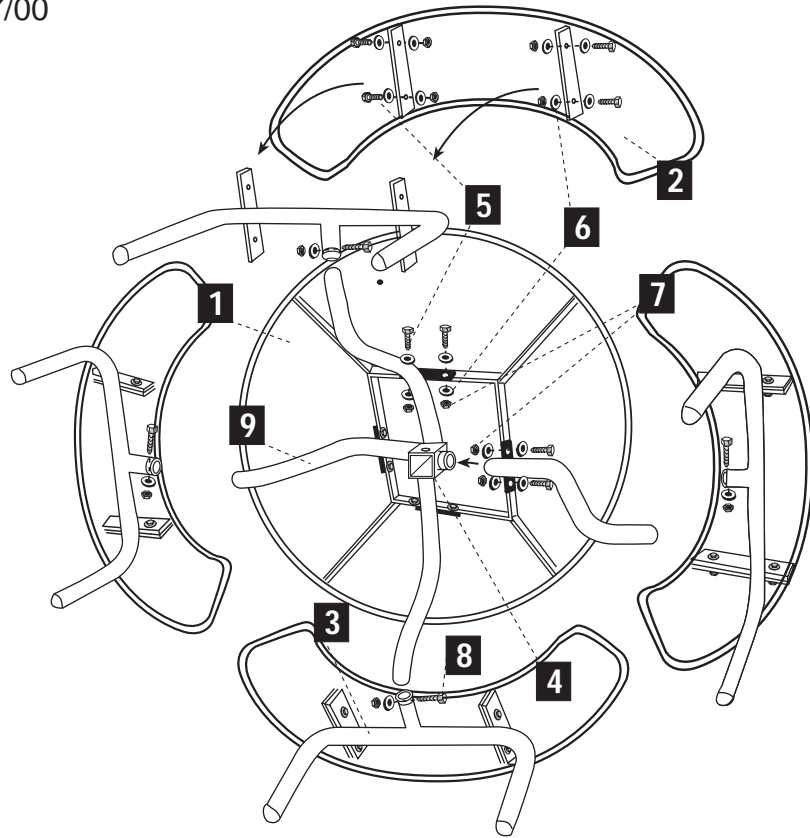


Metal-Form

7/00

**ASSEMBLY DIAGRAM,
INSTRUCTIONS, PARTS
LIST AND SPECIFICATIONS
FOR THE MF1023 4 SEAT
MODULAR TABLE.**



NOTE:

Leave all connections loose until completely assembled. Secure all fasteners in final assembly.

WAUSAU TILE

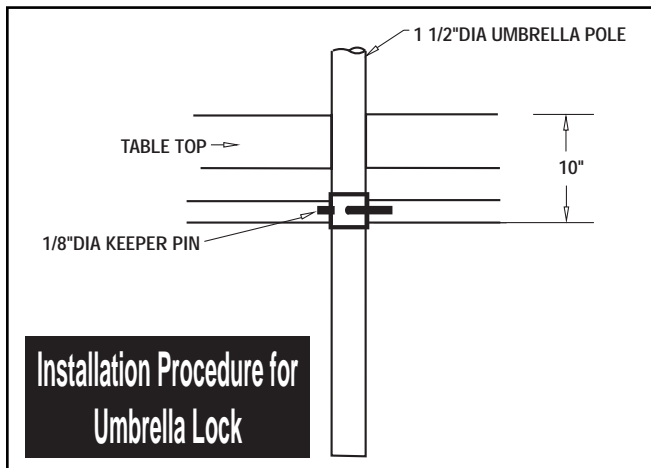
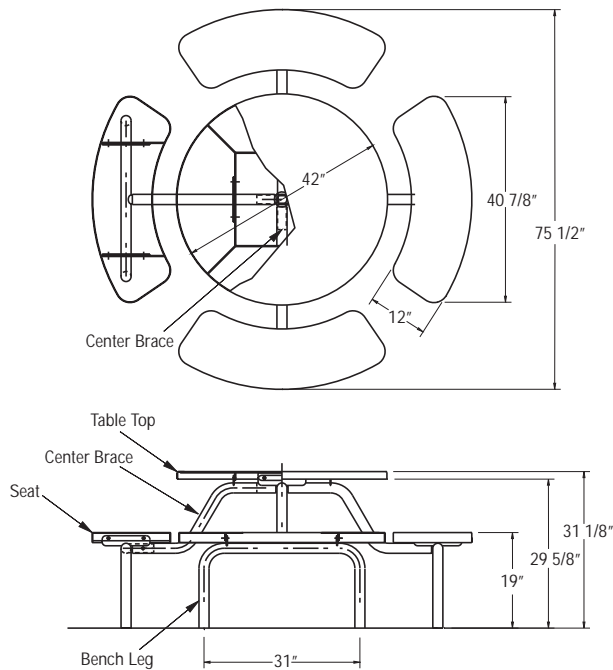
Metal-Form Division
P.O. Box 1520
Wausau, WI 54402-1520
Ph: 800-446-8020
Fax: 715-355-4627
www.wausautile.com

ITEM NO.	DESCRIPTION	QTY
1	Table Top	1
2	Seat	4
3	Seat Frame	4
4	Support Sleeve	1
5	1 1/4 x 3/8" Bolts	24
6	3/8" Flat Washers	56
7	3/8" Nylon Lock Nuts	28
8	2 3/4 x 3/8" Bolts	4
9	Center Support Tube	4

Size: 75" Dia. x 31"
 Weight: 225 lbs
 Construction: Panels - 11 Gauge Perforated Steel - Metal-Armor Coated
 Framework - 2" Diameter - 12 Gauge Galvanized Tube -
 Standard Features: Metal-Armor Coating - With U. V. Inhibitors on Panels -
 Vandal Resistant Security Head Bolts - Baked-On Polyester
 Powder Coat on Framework - Umbrella Hole
 Color Options: Standard Metal-Form Options:
 Panel: Yellow - Green - Brown - Red - Blue - Black - Gray
 Framework: Gray - Sand - Black - Silver
 (Custom colors are available - contact Metal-Form for options)
 Other Options: Permanent Anchoring Kit Available From Metal-Form

SPECIFICATIONS

MF 1023 Modular Table



1. Fully assemble the Metal-Form table set.
2. Insert the umbrella pole into the table top until it fully rests into the umbrella stand.
3. Mark the hole location on the pole.
4. Remove the umbrella pole from the table.
5. Drill a hole through the pole.
6. Insert the umbrella in table and install pin.

Note:

This Metal-Form table requires the use of an umbrella stand and must be securely anchored when an umbrella is being used. You may purchase the anchor kit from Metal-Form.

1.1 SUMMARY

- A. Section includes: Furnish Metal-Form benches on drawings or specified herein.

1.2 REFERENCES

A. American Society for Testing & Materials

- | | | | |
|--------------|-----------------|------------|------------|
| 1. ASTM-D533 | ASTM-D4541 | ASTM-D3359 | ASTM-2794 |
| ASTM-D523 | ASTM-4060 | ASTM-B117 | ASTM-D2247 |
| ASTM-E84 | ASTM-D3170 | ASTM-A569 | ASTM-B6 |
| ASTM G26 | ASTM-A569/A569M | | |

1.3 SUBMITTALS

A. Submit product data, shop drawings and samples.

1. Product Data: Manufacturer's specifications and technical data edited specifically for proposed product, including the following specific information:
 - a. Detailed specification of construction fabrication.
 - b. Manufacturer's installation instructions
 - c. Product warranty

B. Shop Drawings: Indicate pertinent dimensions, general construction, component connections, anchoring methods, hardware and installation procedures.

C. Samples as requested by Architect.

1.4 QUALITY ASSURANCE

- A. Qualifications of Manufacturer: Manufacturer to be prequalified by specifier prior to bidding. Failure to comply will result in disqualification of bid. Manufacturer to have at least three years experience in the manufacture of thermo plastic coated steel site furnishings field proven for at least three years.

- B. Warranty: 5 Years - Metal Armor Coated Products
2 Years - Framework

1.5 MANUFACTURERS

- A. Acceptable manufacturer for thermo plastic coated steel site furnishings to be known as:

Wausau Tile, Inc. Metal-Form Division
PO Box 1520
Wausau, WI 54402-1520
(800) 446-8020 FAX (715) 355-4627

- B. Clarification Note: Drawings and installation specifications are based on manufacturers proprietary literature from Wausau Tile, Inc., Metal-Form Division. Other manufacturers shall comply with minimum levels of material and detailing indicated on drawings or specified herein.