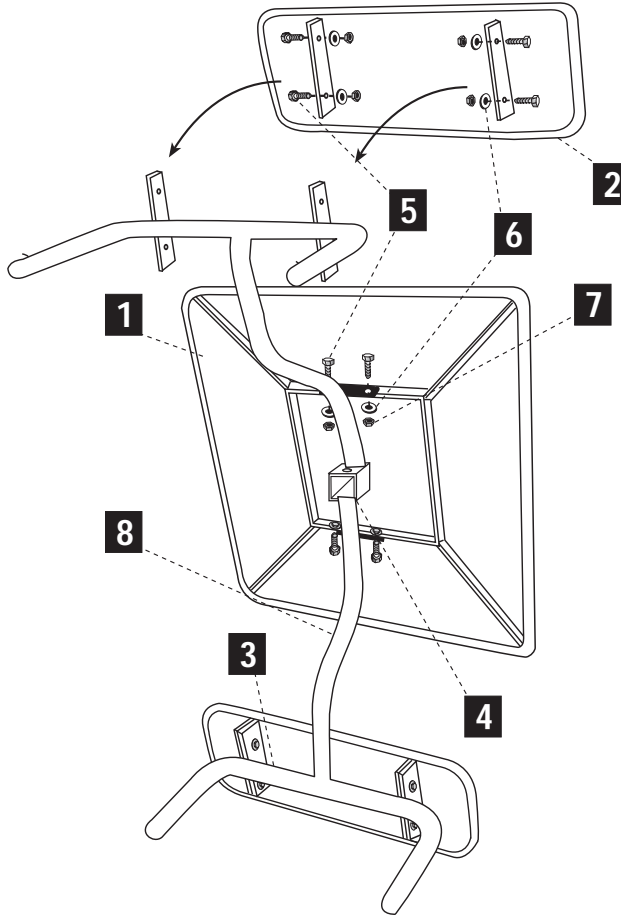


# Metal-Form

7/00



## ASSEMBLY DIAGRAM, INSTRUCTIONS AND PARTS LIST FOR THE MF1022 2 SEAT MODULAR TABLE.



### NOTE:

Leave all connections loose until completely assembled. Secure all fasteners in final assembly.

**WAUSAU TILE**

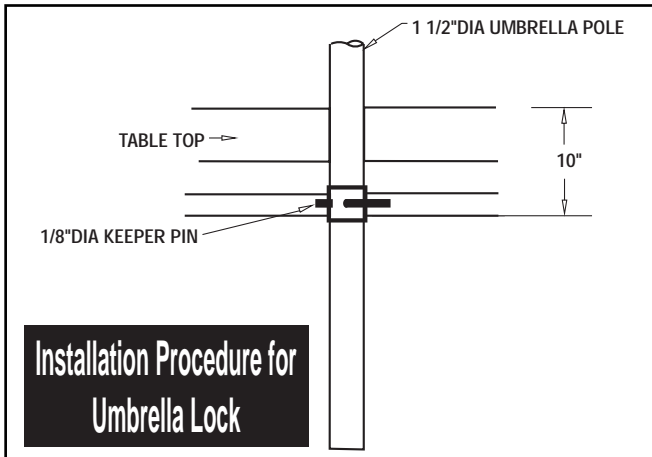
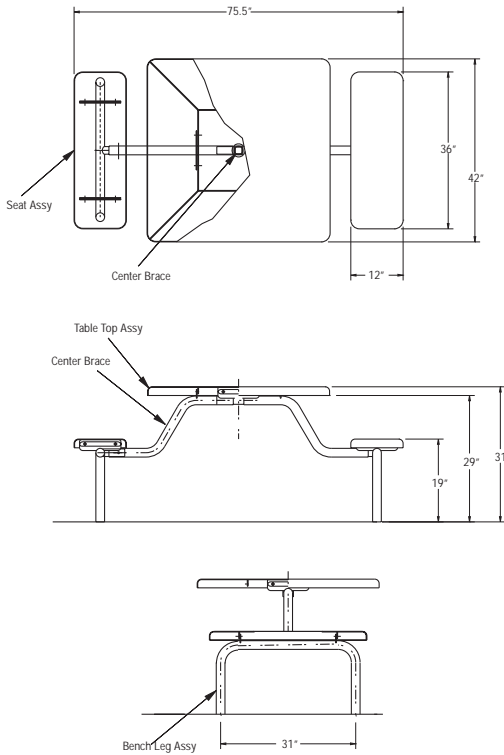
Metal-Form Division  
P.O. Box 1520  
Wausau, WI 54402-1520  
Ph: 800-446-8020  
Fax: 715-355-4627  
www.wausautile.com

ITEM NO.	DESCRIPTION	QTY
1	Table Top	1
2	Seat	2
3	Seat Frame	2
4	Support Sleeve	1
5	1 1/4 x 3/8" Bolts	12
6	3/8" Flat Washers	24
7	3/8" Nylon Lock Nuts	12
8	Center Support Tube	2

Size: 75" x 31"  
 Weight: 165 lbs  
 Construction: Panels - 11 Gauge Perforated Steel - Metal-Armor Coated Framework - 2" Diameter - 12 Gauge Galvanized Tube - Metal-Armor Coating - With U. V. Inhibitors on Panels - Vandal Resistant Security Head Bolts - Baked-On Polyester Powder Coat on Framework - Umbrella Hole  
 Standard Features:  
 Color Options: Standard Metal-Form Options:  
 Panel: Yellow - Green - Brown - Red - Blue - Black - Gray  
 Framework: Gray - Sand - Black - Silver  
 (Custom colors are available - contact Metal-Form for options)  
 Other Options: Permanent Anchoring Kit Available From Metal-Form

# SPECIFICATIONS

# MF 1022 Modular Table



1. Fully assemble the Metal-Form table set.
2. Insert the umbrella pole into the table top until it fully rests into the umbrella stand.
3. Mark the hole location on the pole.
4. Remove the umbrella pole from the table.
5. Drill a hole through the pole.
6. Insert the umbrella in table and install pin.

### Note:

This Metal-Form table requires the use of an umbrella stand and must be securely anchored when an umbrella is being used. You may purchase the anchor kit from Metal-Form.

## 1.1 SUMMARY

- A. Section includes: Furnish Metal-Form benches on drawings or specified herein.

## 1.2 REFERENCES

- A. American Society for Testing & Materials
  1. ASTM-D533    ASTM-D4541    ASTM-D3359    ASTM-2794
  - ASTM-D523    ASTM-4060    ASTM-B117    ASTM-D2247
  - ASTM-E84    ASTM-D3170    ASTM-A569    ASTM-B6
  - ASTM G26    ASTM-A569/A569M

## 1.3 SUBMITTALS

- A. Submit product data, shop drawings and samples.
  1. Product Data: Manufacturer's specifications and technical data edited specifically for proposed product, including the following specific information:
    - a. Detailed specification of construction fabrication.
    - b. Manufacturer's installation instructions
    - c. Product warranty
- B. Shop Drawings: Indicate pertinent dimensions, general construction, component connections, anchoring methods, hardware and installation procedures.
- C. Samples as requested by Architect.

## 1.4 QUALITY ASSURANCE

- A. Qualifications of Manufacturer: Manufacturer to be prequalified by specifier prior to bidding. Failure to comply will result in disqualification of bid. Manufacturer to have at least three years experience in the manufacture of thermo plastic coated steel site furnishings field proven for at least three years.
- B. Warranty: 5 Years - Metal Armor Coated Products  
2 Years - Framework

## 1.5 MANUFACTURERS

- A. Acceptable manufacturer for thermo plastic coated steel site furnishings to be known as:  
Wausau Tile, Inc. Metal-Form Division  
PO Box 1520  
Wausau, WI 54402-1520  
(800) 446-8020 FAX (715) 355-4627
- B. Clarification Note: Drawings and installation specifications are based on manufacturers proprietary literature from Wausau Tile, Inc., Metal-Form Division. Other manufacturers shall comply with minimum levels of material and detailing indicated on drawings or specified herein.