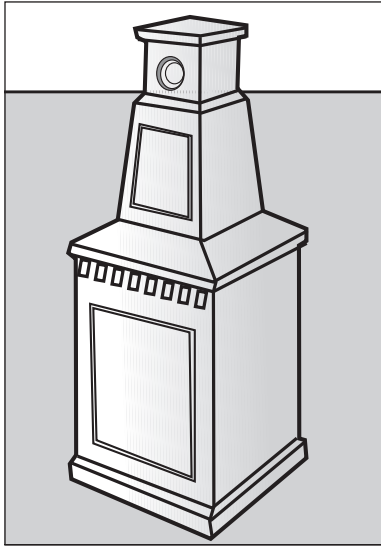


# TF 2049 Colonial Style #1 Smokeless Snuffer



Size:	12 3/4" W x 36" H.
Weight:	275 lbs.
Material:	Reinforced Concrete.
Color/Surface:	See Options. (Colors may change without notice.)
Hardware:	(1) - 1/2" Dia. threaded inserts.
Anchoring:	Optional.
Maintenance:	Rinse with water & mild detergent. Annual re-sealing recommended.
Packaging:	Palletized and Banded.
Feature:	Removeable Ash Pan.
Logo Option:	4" Clear Lucite silk-screened with permanent inks, secured to product.

## Options

(Note: Options may change without notice. Call to confirm current options.)

### Weatherstone:

Sand - Gray - Brown - Buff - Cream - Soulard Green  
Light Charcoal - French Gray - Brick Red

### Exposed Aggregate:

Tan w/Gray Matrix - Tan w/Brown Matrix  
Tan w/Sand Matrix - Misty Gray w/Gray  
Wyoming White

### Granitex (GTX)

2078F, 4028F, 6208F, 1168F, 2098F

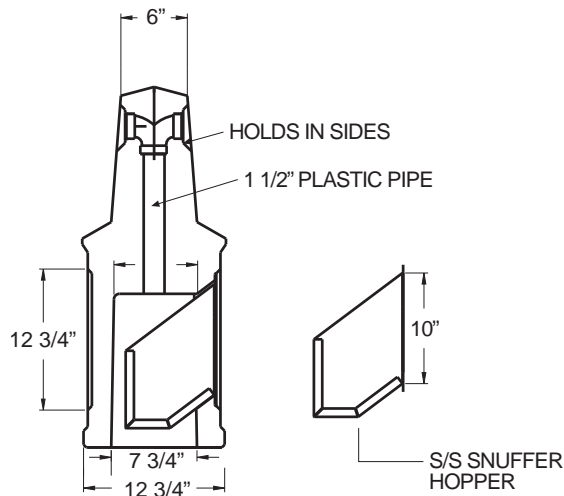
### Glass

Clear - Emerald - Blue - Amber  
Champaign - Charcoal

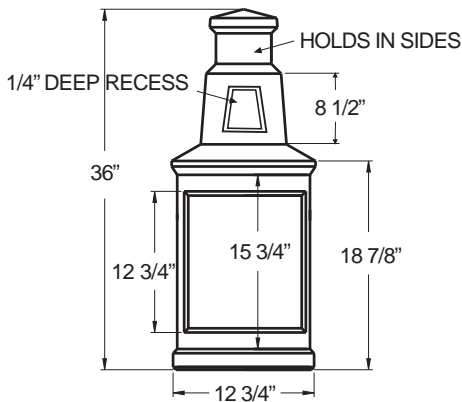
Custom Options Available

# SPECIFICATIONS

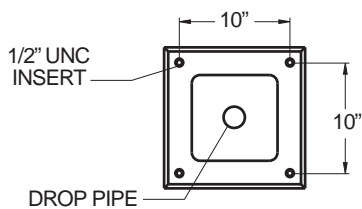
# TF2049 Colonial Style #1 Smokeless Snuffer



**SECTION SNUFFER**



**FRONT VIEW SNUFFER**



**BOTTOM VIEW SNUFFER**

## 1.1 SUMMARY

- A. Section includes: Furnish Precast Concrete Snuffers indicated on drawings or specified herein.

## 1.2 REFERENCES

- A. American Society for Testing & Material
  1. ASTM C33
  2. ASTM C150
  3. ASTM C31

## 1.5 SUBMITTALS

- A. Submit product data, shop drawings and samples.
  1. Product Data: Manufacturer's specifications and technical data edited specifically for proposed system, including the following specific information:
    - a. Detailed specification of construction fabrication.
    - b. Manufacturer's installation instructions
    - c. Maintenance literature
    - d. Product warranty
  2. Shop Drawings: Indicate pertinent dimensions, general construction, component connections anchoring methods, hardware and installation procedures.
  3. Samples as requested by Architect.

## 1.6 QUALITY ASSURANCE

- A. Qualifications of Manufacturer: Manufacturer to be prequalified by specifier prior to bidding. Failure to comply will result in disqualification of bid. Manufacturer to have at least five years experience in the manufacturer of precast concrete snuffers field proven for at least five years.

## 1.10 WARRANTY

Manufacturer shall submit a written warranty for precast products for the period of two years upon acceptance of products.

## 2.1 MANUFACTURERS

- A. Acceptable manufacturer for Precast Concrete Snuffers to be known as Wausau Tile, Inc.  
P.O. Box 1520  
Wausau, WI 54402-1520.  
(800) 388-8728 (715) 359-3121 FAX (715) 355-4627
- B. Clarification Note: Drawings and installation specification are based on manufacturers proprietary literature from Wausau Tile, Inc. Other manufacturers shall comply with minimum levels of material and detailing indicated on drawings or specified herein.
- C. All Precast products for this project shall be of one manufacturer.

## 2.2 MATERIALS

- A. Portland Cement: ASTM C150 specifications for Portland Cement.
- B. Aggregates: All aggregates to meet ASTM C33 specifications, to be cleaned of foreign matter and properly graded to size.
- C. Coloring: Pigments used shall be inorganic, resistant to alkalinity and used as per manufacturers recommendations.